

Included components:

- (4) M10 x 100mm bolts for anchoring.
- Unit must be anchored for stability.

Tools required:

- Proper equipment to move 400 lbs.
- Wood supports or straps if using crane or forklift to move unit
- Wrench, 17mm
- Chemical anchoring adhesive
- Hammer drill with $\varnothing 3/4"$ [20mm] dia masonry drill bit

INSTALLATION:

Determine placement of bench.

1. Mark hole locations.
2. Drill holes according to Fig. 2.
3. Lift unit and install M10 x 100mm bolts. Thread in until tight.
4. Fill holes with chemical anchoring adhesive
5. Lower unit over holes, using proper equipment such as a forklift or crane, see Fig. 1.

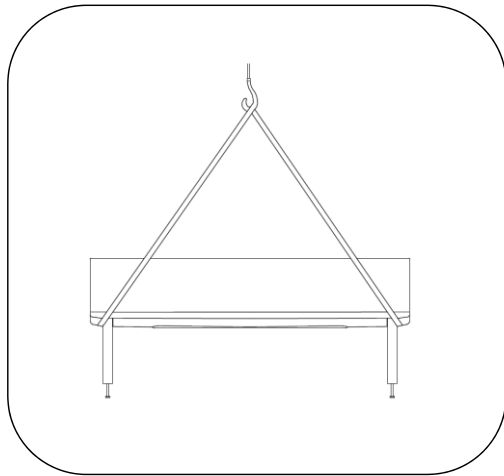


Fig. 1 – Crane install

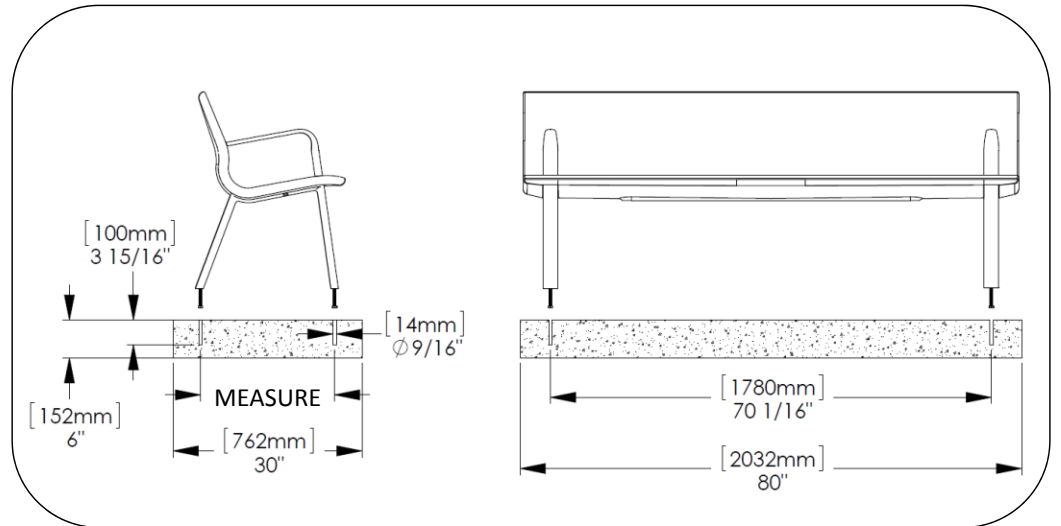


Fig. 2 – Side elevation of footing detail