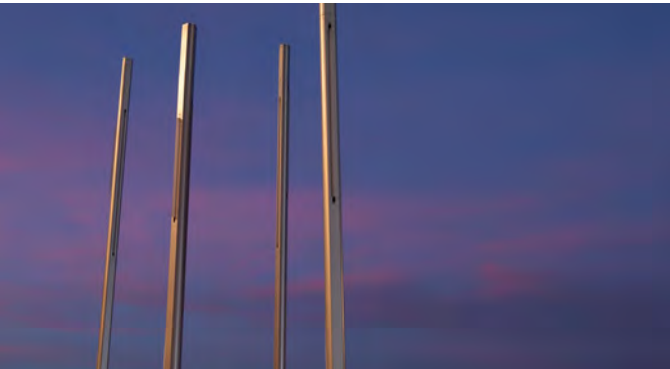


Typology Stick Light

Spec Sheet | CQ600



The Typology Collection, designed and engineered in collaboration with BMW Designworks, opens a new realm of possibility in the way the urban landscape is experienced. Intelligent, systemic engineering complements existing architecture in meaningful and practical ways - defining and connecting spaces, and intuitively guiding the movement of visitors in and among them. Typology's stick light breaks from lighting tradition such that the pole itself is one solid source of light. These vertical columns of warm white or colored light stake claim to the site and create prominent visual landmarks that draw people into the site. Arranged side-by-side, stick lights can divide spaces, punctuate spaces or create virtual rooms of light.

Materials

Custom extruded column is 3.5" in diameter and is made of 6061 aluminum alloy with a nominal wall thickness of 0.125". Column is topped with cast aluminum driver housing assembly. Frameless UV stable acrylic lenses attach to the pole via custom molded rubber retainers and screws. Hinged billet aluminum baseplate provides access to line voltage connections. All hardware is magni-coated steel.

Electrical

Surge protected 120V through 277V 50/60Hz electronic driver, 0-10V dimming. -40°C start temperature. Available with optional ANSI C136.41 twist lock receptacle. Stick Light ships pre-wired and fully assembled.

Light Engine

Three (3) internally mounted linear LED cartridges at staggered 2ft, 3ft, and 4ft lengths emit light through machined vertical slots. Oriented at 120° offsets, each LED cartridge illuminates an acrylic lens that is mechanically fastened to the pole. LED cartridges and lenses are designed to be easily replaced. A RoHS compliant circuit board is included. Configurable with low output or high output linear light engines. Available in 2700K, 3000K, 3500K, and 4000K. >90 CRI across all available color temperatures.

Distribution



TV

Warranty

LED lighting products are warranted for six years.

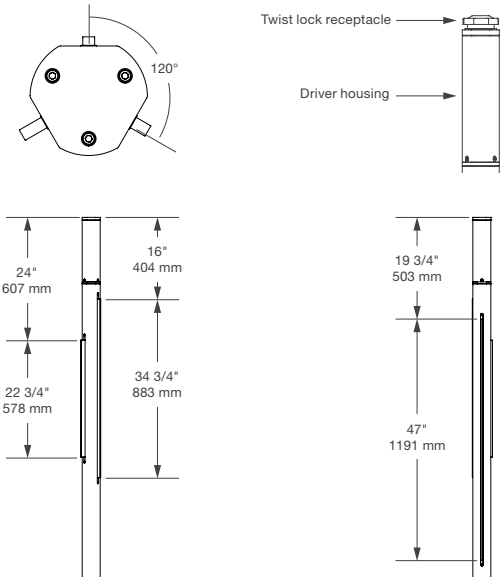
Certifications

UL Listed for Wet Location, CE, Buy America Compliant, RoHS Compliant



Designed by Designworks, a BMW Group company

[Click here](#) for patent information related to this product.

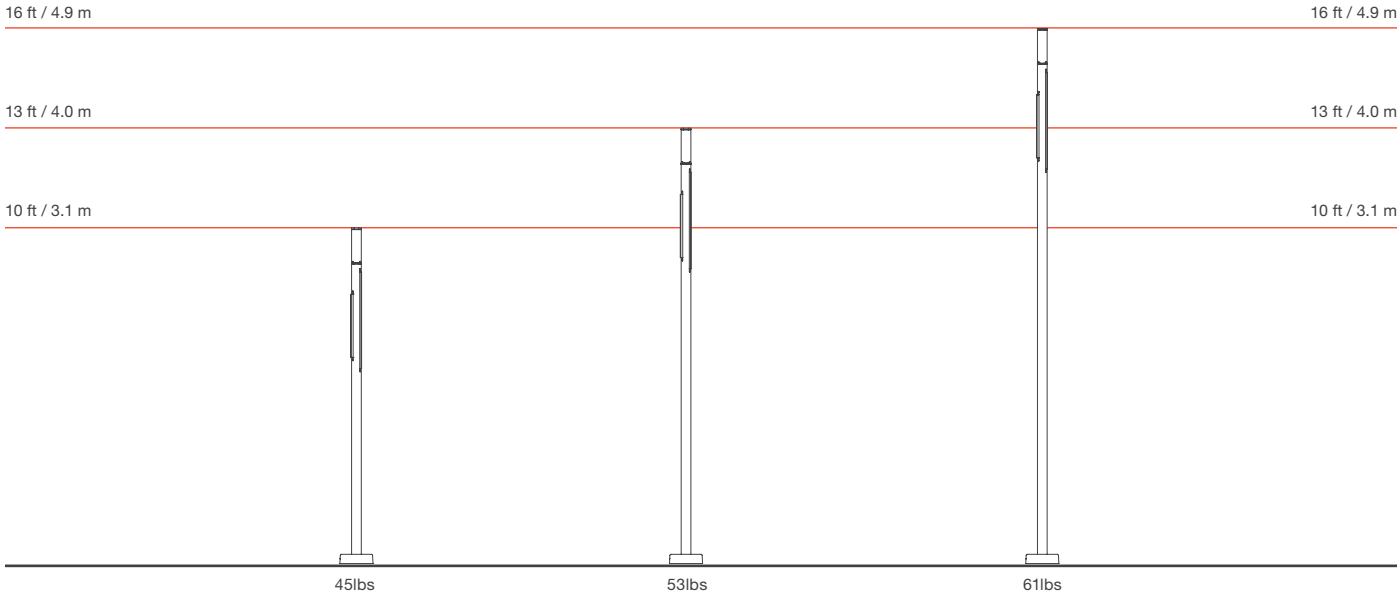


TM21 L70(10k): 60,000hrs
Protection Class IP67

Typology Stick Light

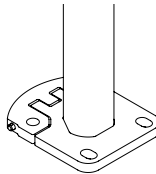
landscapeforms®

Spec Sheet | CQ600

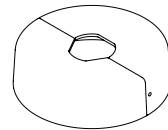
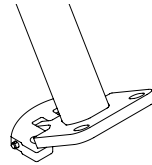


Mounting

Hinged billet aluminum baseplate provides access to line voltage connections. A two-piece cast aluminum circular cover plate is included. Pole is mounted at grade with four (4) 3/4" x 17" galvanized steel anchor bolts. Template and anchor hardware included.



Hinged Base Detail



Cover Plate Detail

Typology Stick Light

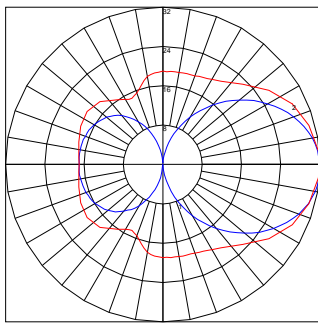


Spec Sheet | CQ600

Model	Drive Current	Delivered Lumens	System Wattage	Bug Rating
CQ601-LO	700mA	199	15.9	B0-U3-G1
CQ601-HO	1430mA	395	39	B0-U3-G1

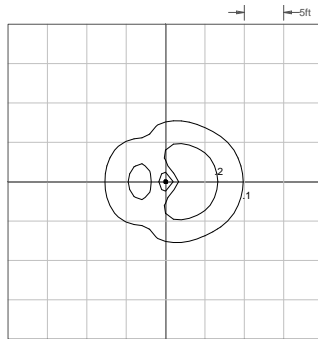
This data is subject to change.

CQ601-LO



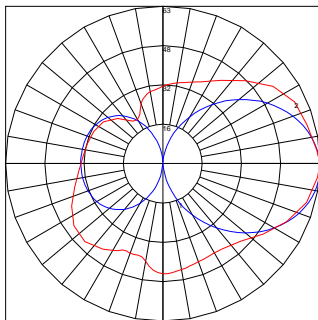
Maximum Candela=31.7
 Located at Horizontal Angle=0,
 Vertical Angle=87.5

Pending LM79 testing



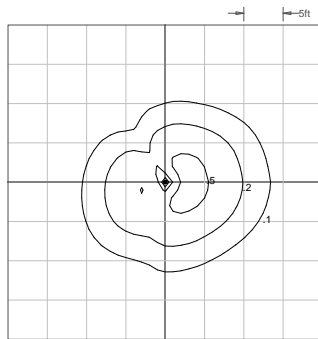
10ft luminare

CQ601-HO



Maximum Candela=63.4
 Located at Horizontal Angle=360,
 Vertical Angle=87.5

Pending LM79 testing



10ft luminare

Typology Stick Light

landscapeforms®

Spec Sheet | CQ600

Luminaire

Product	Light Engine	Color Temperature*	Input Voltage	Height	Twist Lock Receptacle
CQ601 (Stick Light)	LO (3 Linear Low Output LED Light Engine)	27K (2700K)	UV1 (120-277V)	10 (10ft / 3.1m)	NTW
	HO (3 Linear High Output LED Light Engine)	30K (3000K)		13 (13ft / 4.0m)	TW1
		35K (3500K)		16 (16ft / 4.9m)	
		40K (4000K)			

Example: CQ601 – LO – 27K – UV1 – 16 – TW1 – Powdercoat

* Other color temperatures available upon request.

Notes:

Typology Stick Light

landscapeforms®

Material / Colors Sheet | CQ600

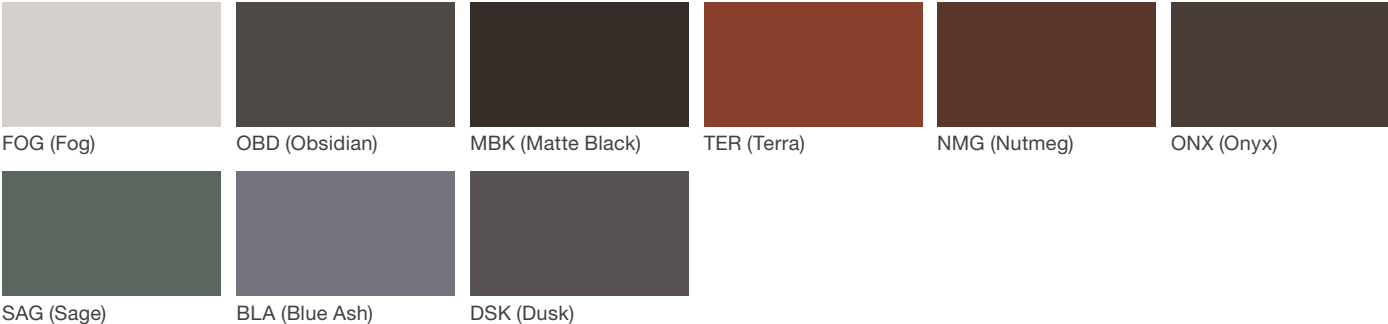
Vivid Series - Powdercoated Metal* (Fine Texture)



Neutral Series - Powdercoated Metal*



Architectural Series - Powdercoated Metal* (Fine Texture)



Typology Stick Light

landscapeforms®

Material / Colors Sheet | CQ600

Powdercoated Metal

Powdercoated Metal Pangard II® Polyester Powdercoat is a hard, yet flexible, finish that resists rusting, chipping, peeling and fading. In addition to colors shown, a wide selection of optional and custom colors may be specified for an upcharge.

* All colors and patterns shown are approximate and may vary from sample and final.

Visit landscapeforms.com for more information. Specifications are subject to change without notice. Landscape Forms supports the Landscape Architecture Foundation at the Second Century level. ©2023 Landscape Forms, Inc.

landscapeforms.com | specify@landscapeforms.com