

Typology Ribbon Bench

landscapeforms®

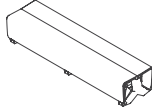
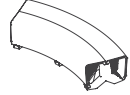
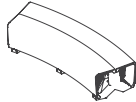
Product Data Sheet

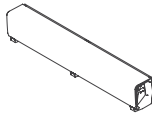


The ribbon bench is the centerpiece of the Typology Collection. Modular segments in straight, small radius and large radius configurations enable the bench to meander seamlessly throughout the landscape. It defines spaces, connects spaces, guides pedestrians, and can even form amphitheater-like semicircular hubs that encourage community interaction.

Seating System

- The Typology ribbon bench is a modular seating system with the ability to fit multiple applications.
- The Typology bench is available either as a ribbon bench or a straight ribbon semi bench.
- Ribbon benches are available in straight, small radius, or large radius styles.
- Straight ribbon semi bench are only available as a single straight bench.
- Bench angle for the small curve is 45° and bench angle for the large curve is 30°.
- Centerline radius for the small curve is 88.5", and centerline radius for the large curve is 139".
- Compatible benches can be connected to make a run of benches, follow a serpentine path, fit in or around a corner, and/or make semicircular formations.
- Seats are constructed from Meldstone™, an ultra-high performance concrete, with a soft, radiused edge.
- All bench styles come standard backless, with back options available only for straight benches.
- These back options for straight benches include a lean back and a perch back, both are available in full or partial lengths.
- Two (2) opposing partial perch backs can be specified on a straight bench.
- All backs are made of 1/4" steel and are finished with powdercoat.
- Optional arms are available for both backed and backless specifications.
Note: backed arms are only available on straight benches
- Optional arms mount to central gap on bench seat.
- Central gap on bench seat also facilitates water drainage.
- Optional extended surfaces are made of 1/4" steel and are finished with powdercoat.
- Optional extended surfaces are available only for the straight benches in right 55° angle, left 55° angle, and perpendicular orientations.
- Optional surfaces mount to central gap on bench seat.

| RIBBON BENCHES | | | | |
|--|-------|--------|--------|----------------|
| STRAIGHT RIBBON BENCH | DEPTH | LENGTH | HEIGHT | PRODUCT WEIGHT |
|  | 24.5" | 96" | 17.75" | 511 lbs |
| SMALL RADIUS RIBBON BENCH | DEPTH | LENGTH | HEIGHT | PRODUCT WEIGHT |
|  | 24.5" | 77" | 17.75" | 385 lbs |
| LARGE RADIUS RIBBON BENCH | DEPTH | LENGTH | HEIGHT | PRODUCT WEIGHT |
|  | 24.5" | 78.25" | 17.75" | 400 lbs |

| STRAIGHT RIBBON SEMI BENCHES | | | | |
|--|-------|--------|--------|----------------|
| STRAIGHT RIBBON SEMI BENCH | DEPTH | LENGTH | HEIGHT | PRODUCT WEIGHT |
|  | 13" | 96" | 17.75" | 356 lbs |

Typology Ribbon Bench

Product Data Sheet





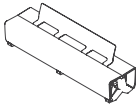
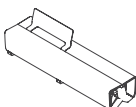
Seating System (cont.)

- Supports are cast aluminum with faceted appearance, and finished with powdercoat.
- Aluminum perforated screens finished with powdercoat are attached to the end supports to protect internal components and prevent the ingress of pests.
- Mounting for all bench styles is surface mounted.
- Protrusions on the underside of concrete seat nest into supports with the use of fasteners.
- All ribbon bench style includes optional integral, downward facing 7 watt lighting.
- Lighting color temp is only available in 3000K CCT.
- Lighting input voltage is 100/277.
- Stainless steel skate stops can be specified with all bench styles (up to six (6) per bench).
- Benches do not ship fully assembled.

Finishes

- All metal is finished with Landscape Forms' proprietary Pangard II® polyester powdercoat, a hard yet flexible finish that resists rusting, chipping, peeling, and fading.
- A wide range of standard, optional and custom colors are available.
- MeldStone™ (Ultra High Performance Concrete): A highly engineered material that enables casting of lighter weight, thin profile forms with exceptional strength and high resistance to compression, bending, impact and wear.
- MeldStone™ innovation includes chemistry, mixing, molding, and curing methods that allows a thinner cross section with higher abrasion resistance and lower permeability than ever before. MeldStone components are cast monolithic with integral color and rigorously tested for optimal performance.
- Meldstone is available in three standard color options - natural white, natural ecru, or natural gray.
- The finish of natural concrete surfaces is porous and has a unique texture when fully cured. Consequently, as compared to smooth mechanically applied finishes, the surface of this concrete finish will naturally exhibit some voids as well as absorb discoloring tannins.

| MOUNTING OPTIONS | | | | |
|--|-------|--------|--------|----------------|
| STANDARD SURFACE MOUNT | DEPTH | LENGTH | HEIGHT | PRODUCT WEIGHT |
|  | 7.5" | 21.5" | 16.25" | 21 lbs |
| STRAIGHT RIBBON SEMI MOUNT | DEPTH | LENGTH | HEIGHT | PRODUCT WEIGHT |
|  | 7" | 11.5" | 16" | 14 lbs |

| BACK OPTIONS – (STRAIGHT BENCHES ONLY) | | | | |
|--|---------------------------|--------|--------|----------------|
| LEAN BACK | | | | |
| FULL LEAN BACK | SEAT DEPTH WHEN INSTALLED | LENGTH | HEIGHT | PRODUCT WEIGHT |
|  | 17.25" | 68" | 30" | 75 lbs |
| PARTIAL LEAN BACK | SEAT DEPTH WHEN INSTALLED | LENGTH | HEIGHT | PRODUCT WEIGHT |
|  | 17.25" | 35.5" | 30" | 37 lbs |

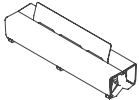
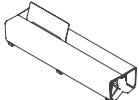
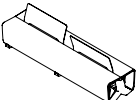
*dimensions shown per back

Typology Ribbon Bench


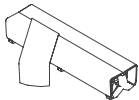
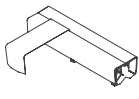
landscapeforms®

Product Data Sheet



| BACK OPTIONS – (STRAIGHT BENCHES ONLY) | | | | |
|---|---------------------------|--------|--------|----------------|
| PERCH BACK | | | | |
| FULL PERCH BACK | SEAT DEPTH WHEN INSTALLED | LENGTH | HEIGHT | PRODUCT WEIGHT |
|  | 12.25" | 68" | 29.75" | 73 lbs |
| PARTIAL PERCH BACK | SEAT DEPTH WHEN INSTALLED | LENGTH | HEIGHT | PRODUCT WEIGHT |
|  | 12.25" | 35.5" | 29.75" | 37 lbs |
| OPPOSING PARTIAL PERCH BACKS | SEAT DEPTH WHEN INSTALLED | LENGTH | HEIGHT | PRODUCT WEIGHT |
|  | 12.25" | 35.5" | 29.75" | 76 lbs. |

*dimensions shown per back

| ACCESSORIES - SURFACES | | | | |
|--|--------|--------|--------|----------------|
| RIGHT ANGLE SURFACE | DEPTH | LENGTH | HEIGHT | PRODUCT WEIGHT |
|  | 41.75" | 20" | 18.25" | 107 lbs |
| LEFT ANGLE SURFACE | DEPTH | LENGTH | HEIGHT | PRODUCT WEIGHT |
|  | 41.75" | 20" | 18.5" | 107 lbs |
| PERPENDICULAR SURFACE | DEPTH | LENGTH | HEIGHT | PRODUCT WEIGHT |
|  | 37.5" | 20" | 18.5" | 116 lbs |

Typology Ribbon Bench

landscapeforms®

Product Data Sheet

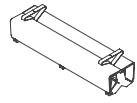
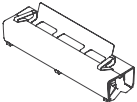
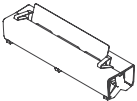


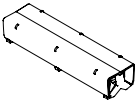
To Specify

- Specify the Typology bench and select either a ribbon bench or straight ribbon semi bench and the number of units for the configuration. The straight ribbon semi bench is only available as a single straight unit. If ribbon bench is specified, select style (straight, small radius, or large radius) for each bench segment. All bench styles come surface mounted. Select optional accessories, backs (lean or perch, available only with straight benches in full or partial lengths), arms (backed or backless, backed arms are only available with straight benches), surfaces (right angle, left angle, or perpendicular, only available with straight benches), skate stops, and/or the bench light kit. Choose a powdercoat color for supports and powdercoat color for optional accessories, and select Meldstone color for seating. Benches do not ship fully assembled.

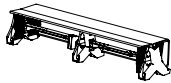
Designed by Designworks, a BMW Group company

U.S. Patent No. Pending

| ACCESSORIES - ARMS | | | | |
|--|--------|--------|--------|----------------|
| BACKLESS ARM | DEPTH | LENGTH | HEIGHT | PRODUCT WEIGHT |
|  | 21" | 3" | 6" | 15 lbs |
| LEAN BACKED ARM | DEPTH | LENGTH | HEIGHT | PRODUCT WEIGHT |
|  | 15.75" | 3" | 6" | 13 lbs |
| PERCH BACKED ARM | DEPTH | LENGTH | HEIGHT | PRODUCT WEIGHT |
|  | 12.25" | 3" | 6" | 11 lbs |

| SKATE STOPS | DEPTH | LENGTH | HEIGHT | PRODUCT WEIGHT |
|--|-------|--------|--------|----------------|
|  | 2.75" | 0.75" | 2.75" | 0.5 lbs |

*dimensions shown per skate stop

| LIGHT KIT |
|---|
|  |

Visit landscapeforms.com for more information. Specifications are subject to change without notice. Landscape Forms supports the Landscape Architecture Foundation at the Second Century level. ©2021 Landscape Forms, Inc. Printed in U.S.A.