

# TWIG

Product Data Sheet



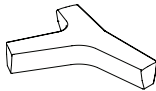
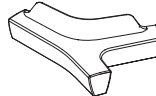
Twig is a modular bench system made of reinforced concrete. The freestanding three-armed pieces create branch-like formations, and the gently curved back offers a comfortable resting point. A series of joined benches become meeting places in public spaces or borders that connect paved and green spaces.

## Bench

- TWIG is a modular bench made of reinforced cast stone.
- Bench is available backed or backless.
- TWIG's weight allows for a freestanding installation.
- TWIG is offered in acid-etched/waterproofed finish, and comes in Grey, Black, White, and Beige.

## Material

- Reinforced Cast Stone is cast stone that is poured and cast over a stainless steel bar cage built to fit within the walls of the mold.
- Reinforced Cast Stone makes it possible to cast thinner, irregularly shaped forms while retaining appropriate strength.
- The colors of Escofet cast stone products are neutral, muted and earth-toned and are derived from the aggregates used in casting.
- No color is added in manufacture and no color is applied to finished products.
- The color range of every Escofet cast stone product is predetermined by the formulation used in its manufacture.
- Cast stone products do not require any specific maintenance during their estimated lifespan of more than 30 years. Water absorption and freeze-thaw cycles can cause weathering, a reproduction of the process that takes place in natural rock.
- Escofet applies a waterproof finish to its products to protect against this process.
- Escofet cast stone products are large and heavy.
- Shipping, receiving, staging and installing these pieces is more akin to handling large statuary or pre-fabricated architectural elements.
- See installation guide for important information.

	DEPTH	LEGHTH	HEIGHT	PRODUCT WEIGHT
	76"	93"	18"	3,850 lb
	76"	76"	31"	4,188 lb

# TWIG

## Product Data Sheet



### Product Warranty

- ESCOFET warrants the durability of its product to Landscape Forms for a period of five (5) years from the date of invoice.
- The warranty covers the repair or replacement of the product or components at no charge.
- Notwithstanding, this warranty does not cover damages to ESCOFET products resulting from unloading; handling; installation; abuse; exposure to paint, liquids or corrosives; or any other damage not attributable to ESCOFET.
- The warranty shall also be void if ESCOFET products are tampered with, handled, removed or modified by persons not authorized by ESCOFET; or if the product has not been properly maintained by the customer.

### To Specify

- To order, specify TWIG, backed or backless, and standard color.
- Benches are freestanding.
- See materials/color sheet for Escofet's standard color options.

Designed by Alexander Lotersztain

Visit [landscapeforms.com](http://landscapeforms.com) for more information. Specifications are subject to change without notice. Landscape Forms supports the Landscape Architecture Foundation at the Second Century level. ©2018 Landscape Forms, Inc. Printed in U.S.A.