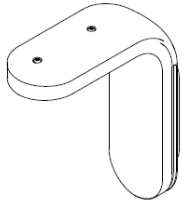


Included components



luminaire



Wall mount plate



1X – M8 x 1.25 x 25mm
Socket hd set screw,
With thread patch

Tools Required

- Safety glasses
- 4mm hex key
- Wiring tools and connectors
- Hardware to mount bracket plate to wall. Bracket has (10) $\varnothing 9/32$ " holes to allow for anchoring in at least 4 places – see Fig. 1. Max clearance for head of anchor bolts is $3/4$ ".
- Silicone sealer

WARNING! Installer must provide strain relief to line-in wires where they connect to light fixture wires. Failure to do so may cause electrical failure and will void warranty.

WARNING!: LED cartridge and driver are not rated for connection or disconnection while energized. Doing so may damage LEDs and will void the warranty. Disconnect incoming power before making or breaking any electrical connections.

Landscape Forms is not responsible for site preparation.

INSTALLATION PROCEDURE:

To attach the mount plate to the wall:

Note: Installations must use a single-gang outlet box be mounted vertically in the wall. The outside face of the box should be flush or slightly recessed with the wall. Since wall mounting substrates vary greatly, the installer should determine the appropriate fasteners to use to attach the mount plate to the wall.

1. Set mounting plate in position on the wall. Verify that the plate is oriented correctly and the embossed arrow on the plate is pointing up.
2. Mark hole locations. It is recommended that at least 2 of the holes from the top 5 locations and 2 holes from the bottom 5 locations are used for anchoring.
3. Move mount plate.
4. Drill holes according to anchor manufacturer's recommendations. See Fig. 2 for anchor head clearance.
5. Remove the halves of the quick disconnect harnesses from the fixture that will be connected to the wiring in the wall. Make wiring connections.
6. Apply bead of silicone to back of bracket plate as shown in Fig. 3 to ensure the plate seals to the wall. Apply a bead of silicone on the wall around the wiring box.
7. Run the harnesses through the wiring access hole in the mount plate.
8. Place bracket plate in position and install anchors (anchors not included).
9. Make wiring connections by connecting the harness quick disconnects. Note: luminaire has a lanyard installed to allow for hanging the unit from the wall mount bracket while making wiring connections. See Fig. 7.
10. Install luminaire over wall mount plate as shown in Fig. 4.
11. Install set screw to secure luminaire to wall mount plate as shown in Fig. 5.

ASSEMBLE WITH CARE! Pangard II® Polyester Powdercoat is a strong, long-lasting finish. To protect this finish during assembly, place unwrapped powdercoated parts on packaging foam or other non-marring surface. Do not place or slide powdercoated parts on concrete or other hard or textured surface – this will damage the finish causing rust to occur. Use touch-up paint on any gouges in the finish caused by assembly tools.

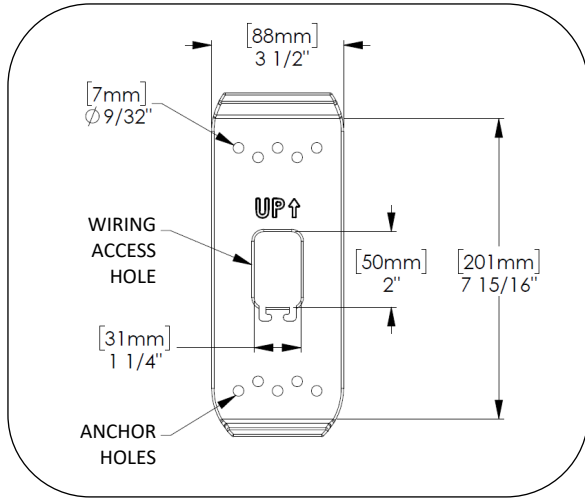


Fig. 1 - Wall mount plate details

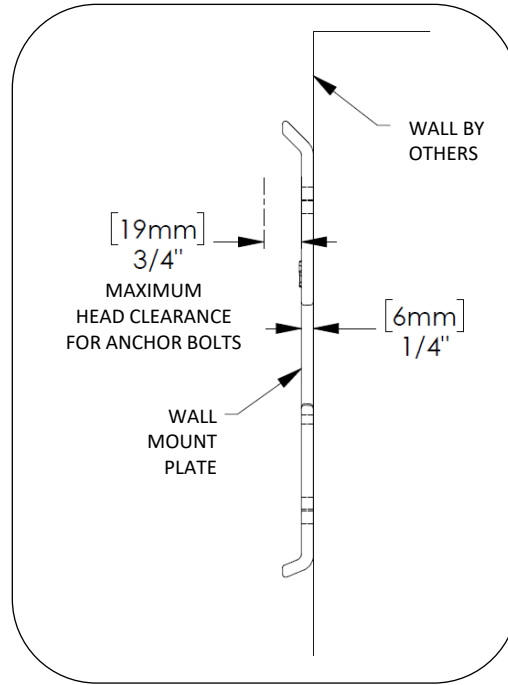


Fig. 2 - Wall mount plate side view

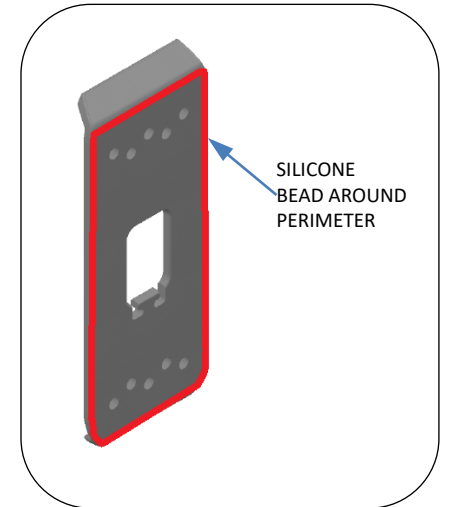


Fig. 3 - Wall mount silicone location

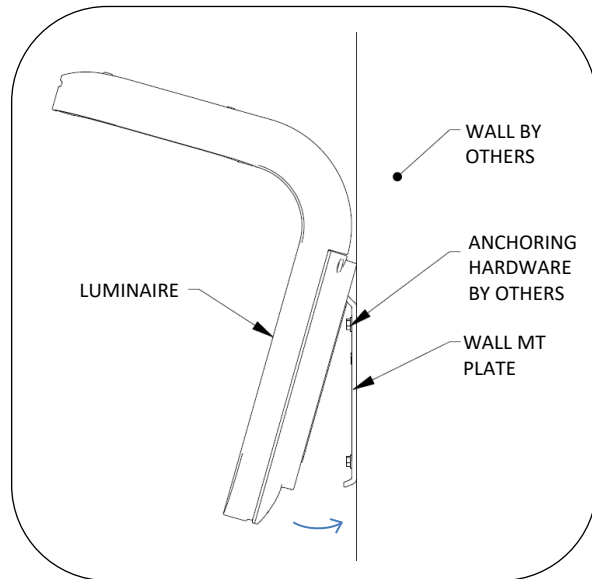


Fig. 4 - Attach luminaire to wall mount plate

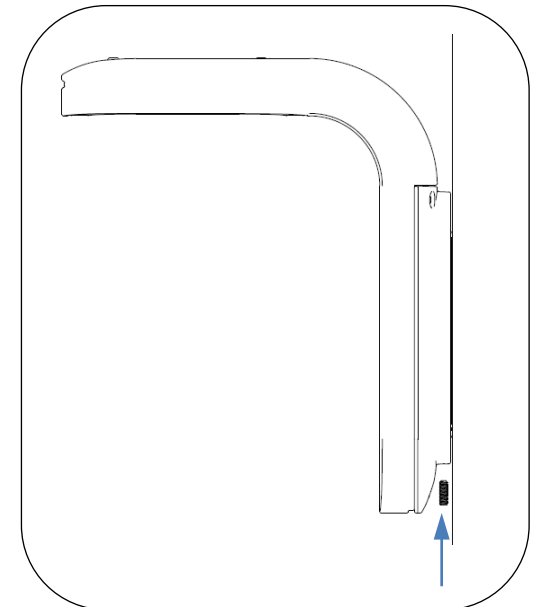


Fig. 5 - Install set screw

PROCEDURE FOR WIRING TORRES:

The Torres wall mount luminaire is assembled at the factory. The light cartridge is mounted into the body of the luminaire and will not need to be removed during installation. The LED cartridge is wired to the driver at the factory. Use of LED drivers other than the supplied unit is not recommended and will void the warranty.

WARNING! LED cartridge and driver are not rated for connection or disconnection while energized. Doing so may damage LEDs and will void the warranty. Disconnect incoming power before making or breaking any electrical connections.

The wiring schematic references connections in the luminaire and connector(s) used to attach to the harness in the wall mount plate. Connection hardware not included.

Installers are responsible for line-in connections.

Optional dimming control is not included.

Note: This unit is pre-wired. This diagram is for reference to the 3-pin and 2-pin connectors.

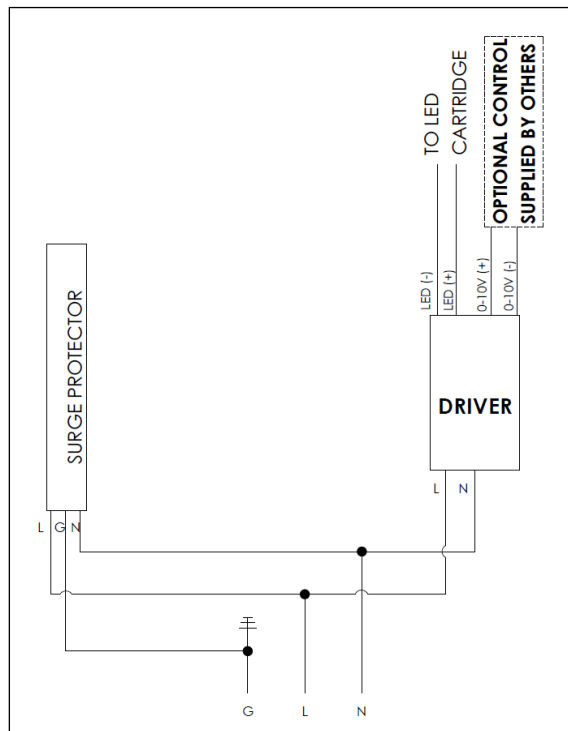


Fig. 6 - WIRING DIAGRAM: Type 3 luminaire, wall mount

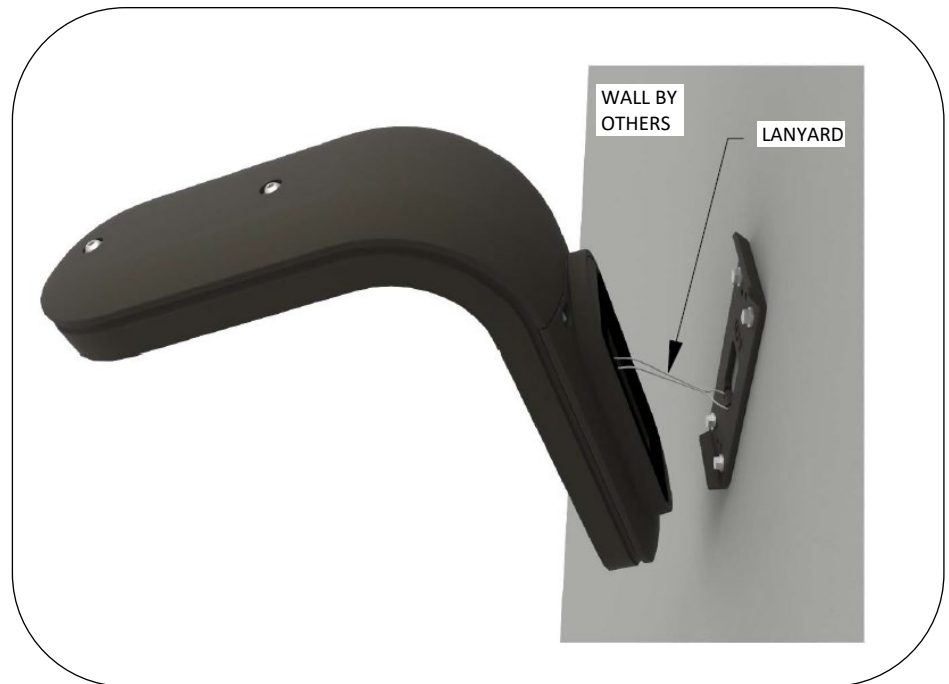


Fig. 7 – lanyard use