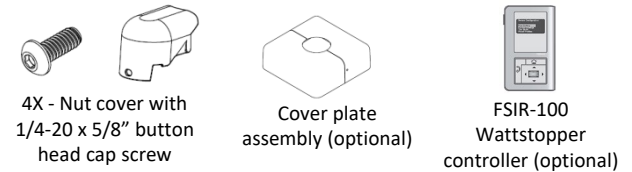
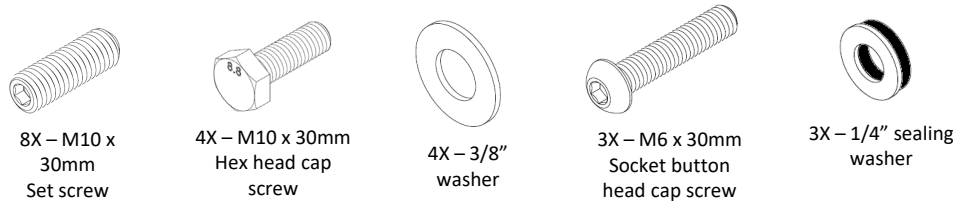
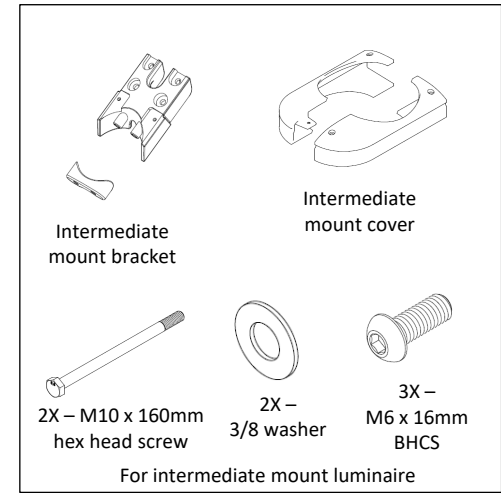
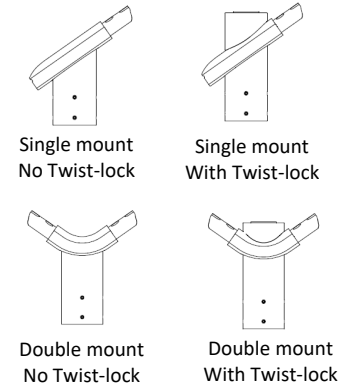
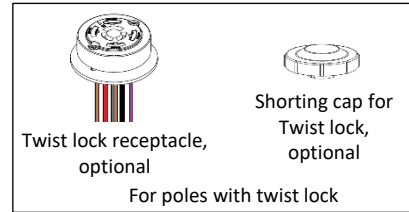
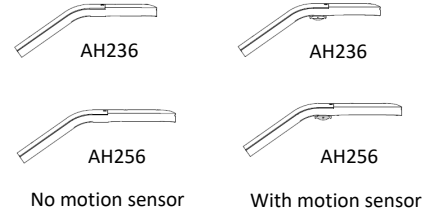
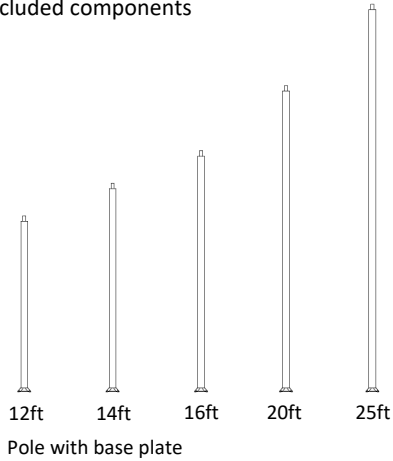


Included components



Tools Required

- Safety glasses
- Hex key 5/32" for nut covers, 5mm for bracket to tenon mount, 4mm for luminaire cover
- Socket wrench, 17mm
- Wrenches, 1-1/8"
- Screwdrivers, Phillips and straight blade
- Wiring tools and connectors
- Proper personnel, crane or lift for hoisting unit onto anchors
- Level
- Dimming control, if required.
- Twist lock photo eye, if required

ASSEMBLE WITH CARE! To protect this finish during assembly, place unwrapped powdercoated parts on packaging foam or other non-marring surface. Do not place or slide powdercoated parts on concrete or other hard or textured surface – this will damage the finish causing rust to occur. Use touch-up paint on any gouges in the finish caused by assembly tools.

Landscape Forms is not responsible for site preparation and footings. Refer to the installation guide for the Torres area light anchor kit for installing the anchor bolts.

WARNING! Pole mounted luminaires must be attached either before or *immediately* after pole installation. Failure to do so may cause vibration damage to the pole and will void the pole warranty.

WARNING!: LED cartridge and driver are not rated for connection or disconnection while energized. Doing so may damage LEDs and will void the warranty. Disconnect incoming power before making or breaking any electrical connections.

CAUTION! This unit is heavy. To avoid injury or damage to the finish, we recommend using a crane or lift for hoisting the unit onto the anchors. Do not lift unit by the luminaire head.

ASSEMBLY AND INSTALLATION PROCEDURE:

refer to the Torres Area Light Anchor kit installation guide for setting the pole anchors. Concrete should be fully cured before installing the pole.

BASIC INSTALLATION STEPS:

1. Attach bracket to pole.
2. Attach luminaire to bracket.
3. Connect line-in voltage wires to driver.
4. Attach lid to luminaire.
5. Install pole assembly onto previously installed anchors.

INSTALLATION INSTRUCTIONS FOR MOUNTING LUMINAIRES AT THE TOP OF THE POLE:

1. Route the line voltage wires (provided by others) up the pole and through the opening at the top of the pole. See Fig. 5.
2. Route the wires through the luminaire mounting bracket, see Fig. 5.
3. Attach the mounting bracket to the pole using (8) M10 x 30mm set screws. Tighten set screws using a 5mm hex key. See Fig. 5.
4. Using a 4mm hex key, remove (3) M6 x 30mm button head screws and sealing washers to remove the luminaire cover. See Fig. 8. Set aside, retain hardware.
5. Attach luminaire to mounting bracket using (4) M10 x 30mm hex head bolts and 3/8" washers. Ensure wires are routed through the relief in the luminaire housing and are not pinched. See Fig. 6 and Fig. 7.
6. Connect line voltage wires to driver. See Fig. 7. Take precautions to provide strain relief on supply wires.
7. Reattach luminaire cover with (3) M6 button head screws and sealing washers. See Fig. 8.

INSTALLATION INSTRUCTIONS FOR MOUNTING AN INTERMEDIATE HEIGHT LUMINAIRE:

1. Using 17mm socket wrench, attach intermediate mount bracket to pole with (2) M10 x 160mm hex head bolts and washers. See Fig. 9.
2. Install intermediate bracket cover plate with (3) M6 x 16mm button head screws. Tighten with a 4mm hex key. See Fig. 10.
3. Using a 4mm hex key, remove (3) M6 x 30mm button head screws and sealing washers to remove the luminaire cover. See Fig. 12. Set aside, retain hardware.
4. Attach luminaire to mounting bracket using (4) M10 x 30mm hex head bolts and 3/8" washers. Ensure wires are routed through the relief in the luminaire housing and are not pinched. See Fig. 11.
5. Connect line voltage wires to driver. See Fig. 7. Take precautions to provide strain relief on supply wires.
6. Reattach luminaire cover with (3) M6 button head screws and sealing washers. See Fig. 12.

INSTALLATION OF POLE:

1. Install pole with hex nuts and washers, see Fig. 2.
2. Install nut covers, Fig. 3 or optional cover plate, Fig. 4.

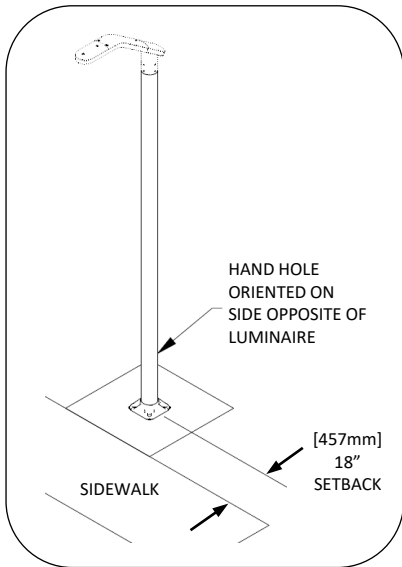


Fig. 1 – Pole orientation

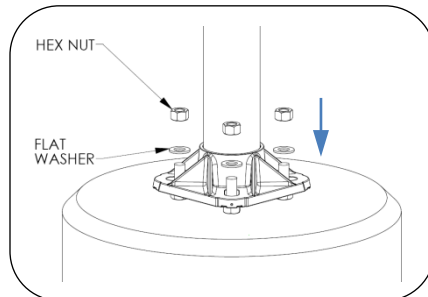


Fig. 2 – Install pole

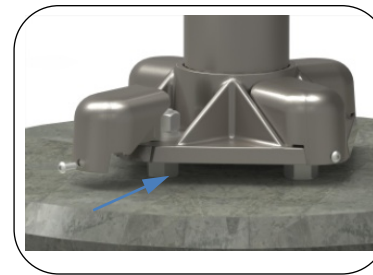


Fig. 3 – Install nut covers

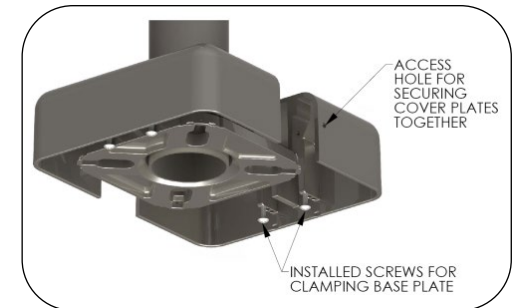


Fig. 4 – Install cover plates

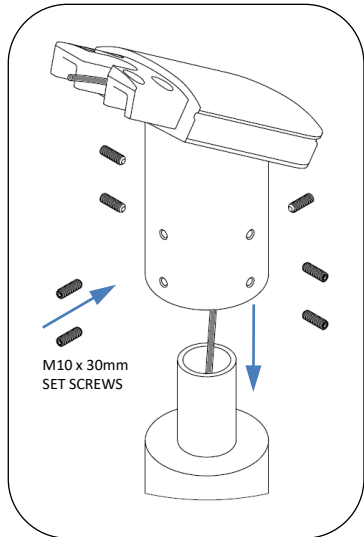


Fig.5 – Attach luminaire bracket

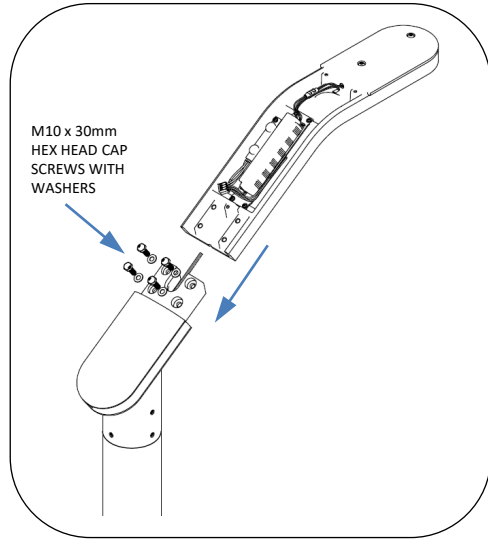


Fig. 6 – Attach luminaire

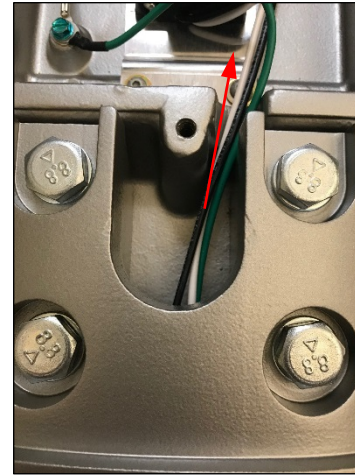


Fig. 7 – Route electrical supply wires

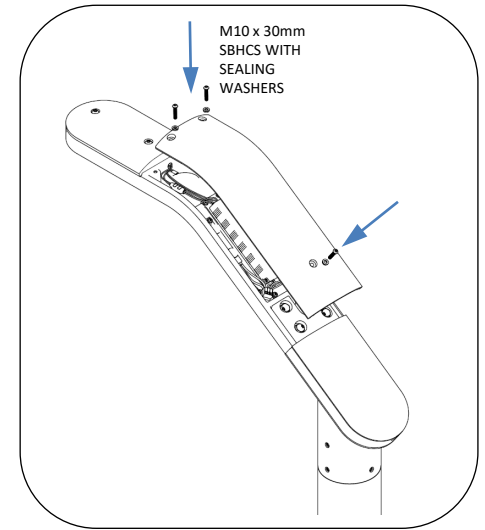


Fig. 8 – Attach luminaire cover

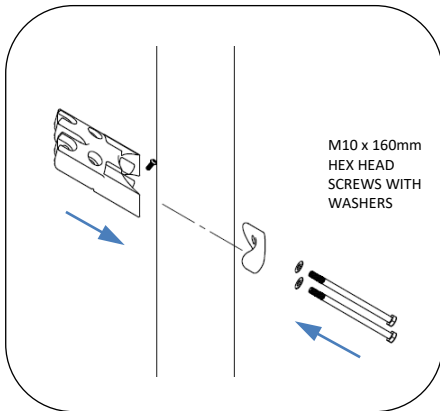


Fig. 9 – Attach bracket for intermediate mount luminaire

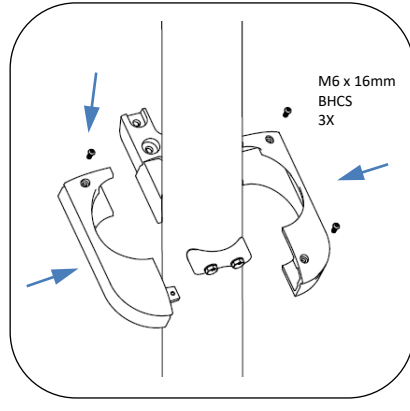


Fig. 10 – Attach bracket for intermediate mount luminaire

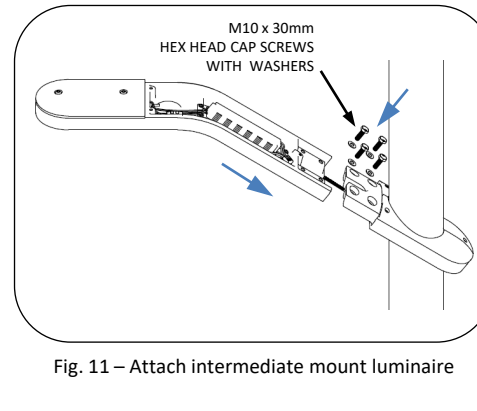


Fig. 11 – Attach intermediate mount luminaire

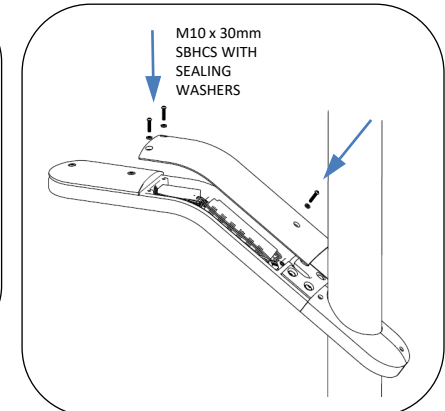


Fig. 12 – Attach luminaire cover

PROCEDURE FOR WIRING TORRES LED LUMINAIRES:

The wiring schematics are to be used to connect the unit to line voltage. It is the responsibility of the installer to make sure that all connections are made in accordance with the NEC and local building codes. Connection hardware not included.

WARNING! LED cartridge and driver are not rated for connection or disconnection while energized. Doing so may damage LEDs and will void the warranty. Disconnect incoming power before making or breaking any electrical connections.

Install the shorting cap to test the light:

Units that have a twist lock receptacle installed must have a shorting cap (included) installed in order to test the light. Alternatively, a photo control (not included) could be installed and the eye portion covered to activate the luminaire.

Hook up to power source:

Connect the line voltage wires at the bottom of the pole. Refer to wiring diagrams for incoming power supply requirements.

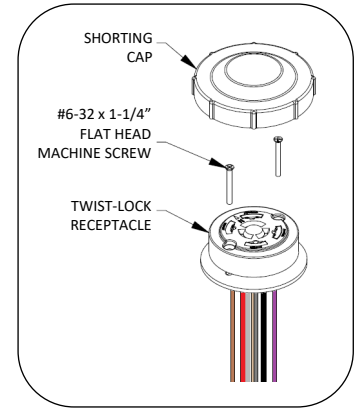
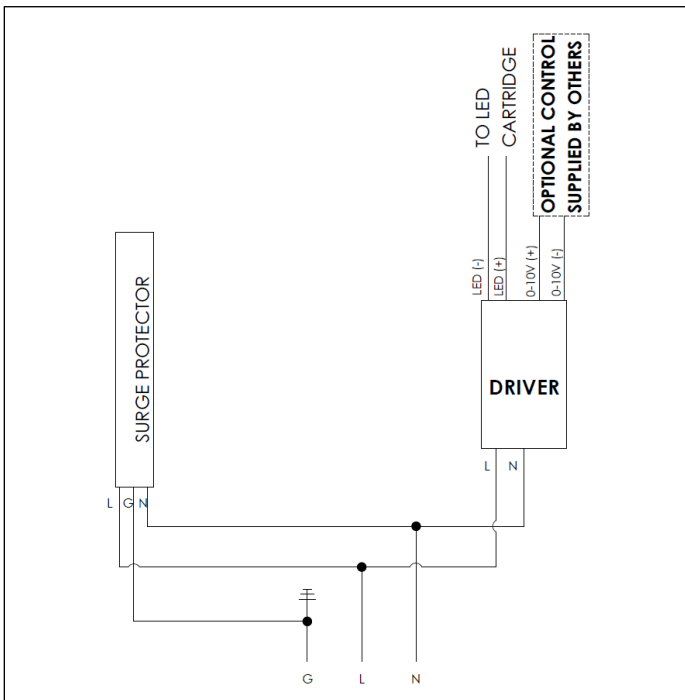
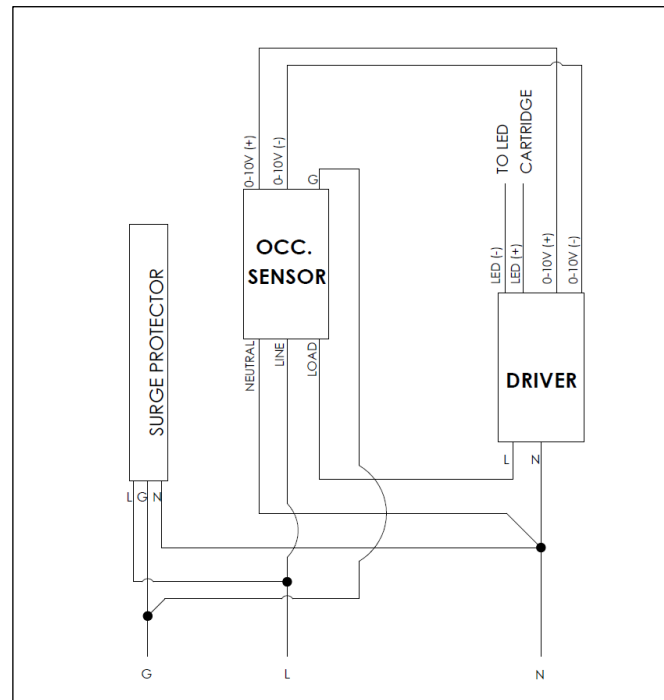


Fig. 13 – Install optional twist lock receptacle to top cap

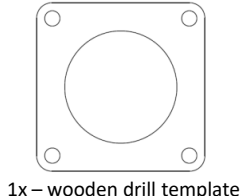


TORRES WIRING DIAGRAM: NO MOTION SENSOR



TORRES WIRING DIAGRAM: WITH MOTION SENSOR

Included components



1x – wooden drill template



4X - anchor bolts,
3/4"-10 x 17" x 3" hook



8X - heavy hex nuts,
3/4" x 10



8X - flat washers,
.81 ID" x 1.5" OD x
0.13" thick

Note: Hardware is galvanized

Tools Required

- Safety glasses
- Wrenches, 1-1/4"
- Level

LIGHTING LAYOUT RECOMMENDATIONS:

Refer to the product data sheet available at www.landscapeforms.com for recommendations for light pole spacing.

Landscape Forms is not responsible for site preparation and footings. The following chart gives necessary information for calculating proper footing size, depending on the specified light pole.

WARNING! Pole mounted luminaires must be attached either before or *immediately* after pole installation. Failure to do so may cause vibration damage to the pole and will void the pole warranty.

Pole Size	Base Overturning Moment (ft-lbf)	Base Shear (lbf)
5"x.125" x 12ft, 14ft or 16ft	2600	300
5"x.156" x 20ft	4000	400
5"x.250" x 25ft	6000	400

INSTALLATION PROCEDURE FOR ANCHOR BOLTS:

1. Prepare footing as required by local codes.
2. Install anchor hooks, hex nuts, washers and wooden template as shown in Fig 3.
Note: Install bottom hex nuts as close to grade as possible to allow for better fit of cover plate.
3. Level template in all directions. **Note:** template thickness is less than base plate thickness. Dimensions given account for the difference.
4. After footing has properly cured, remove wooden template. Do not remove lower hex nuts or washers.

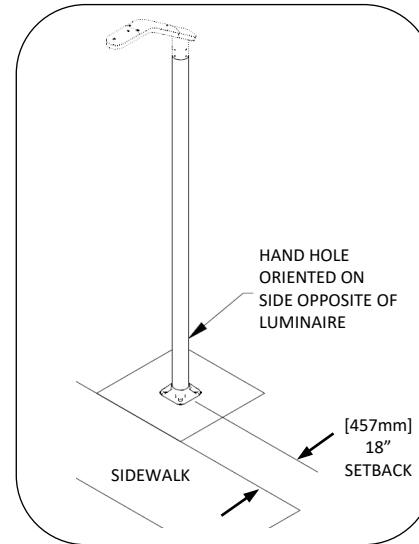


Fig. 1 – Sidewalk setback

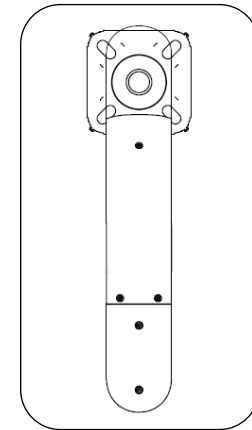


Fig. 2 – Base plate orientation to luminaire

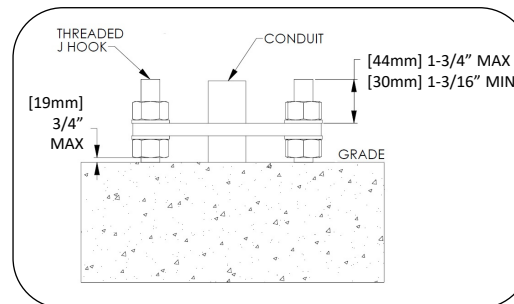


Fig. 3 – Anchor install detail

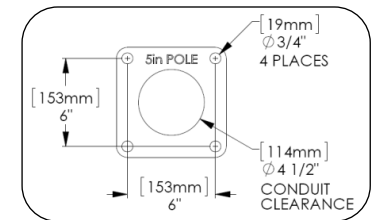


Fig. 4 - 5" diameter pole