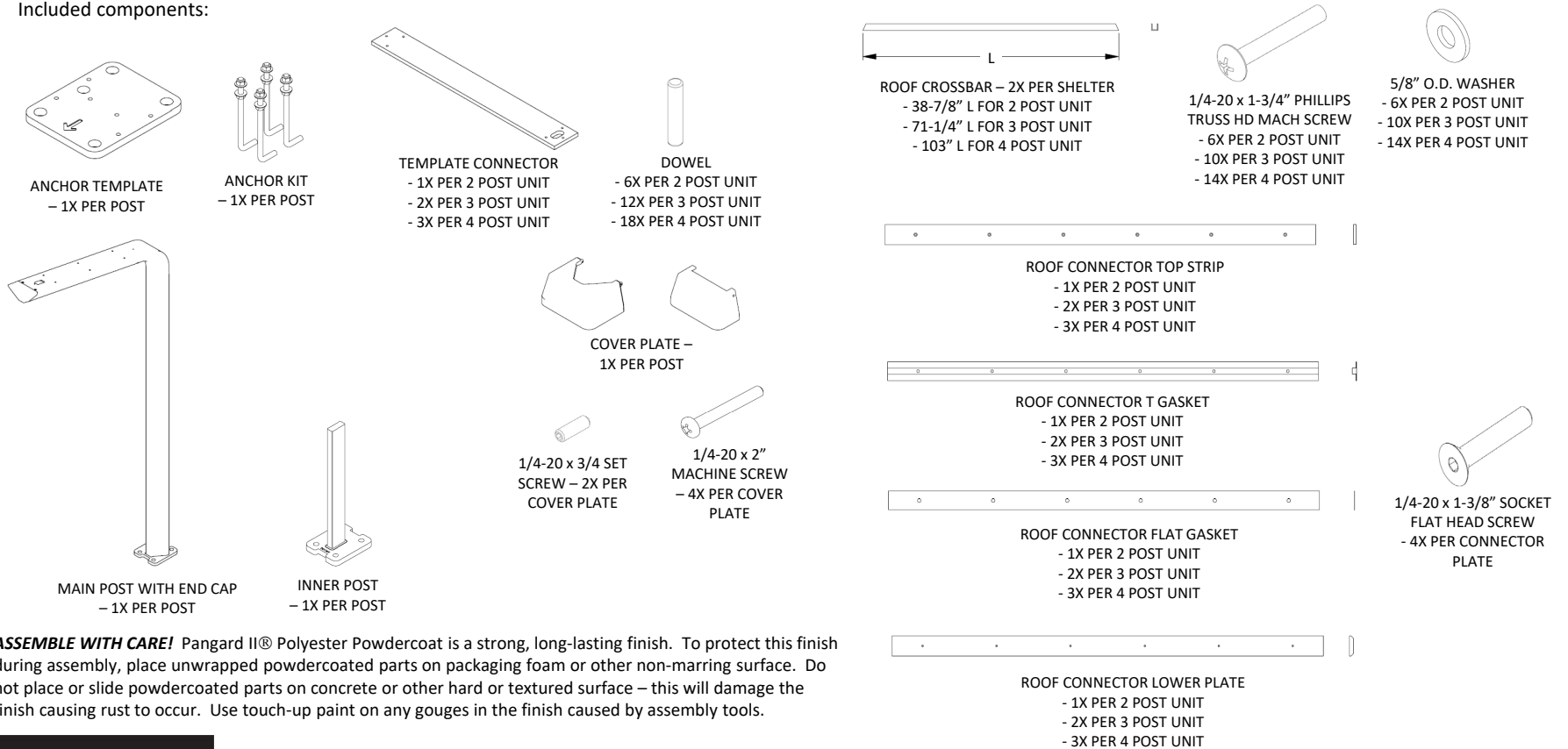


Tools required for assembly

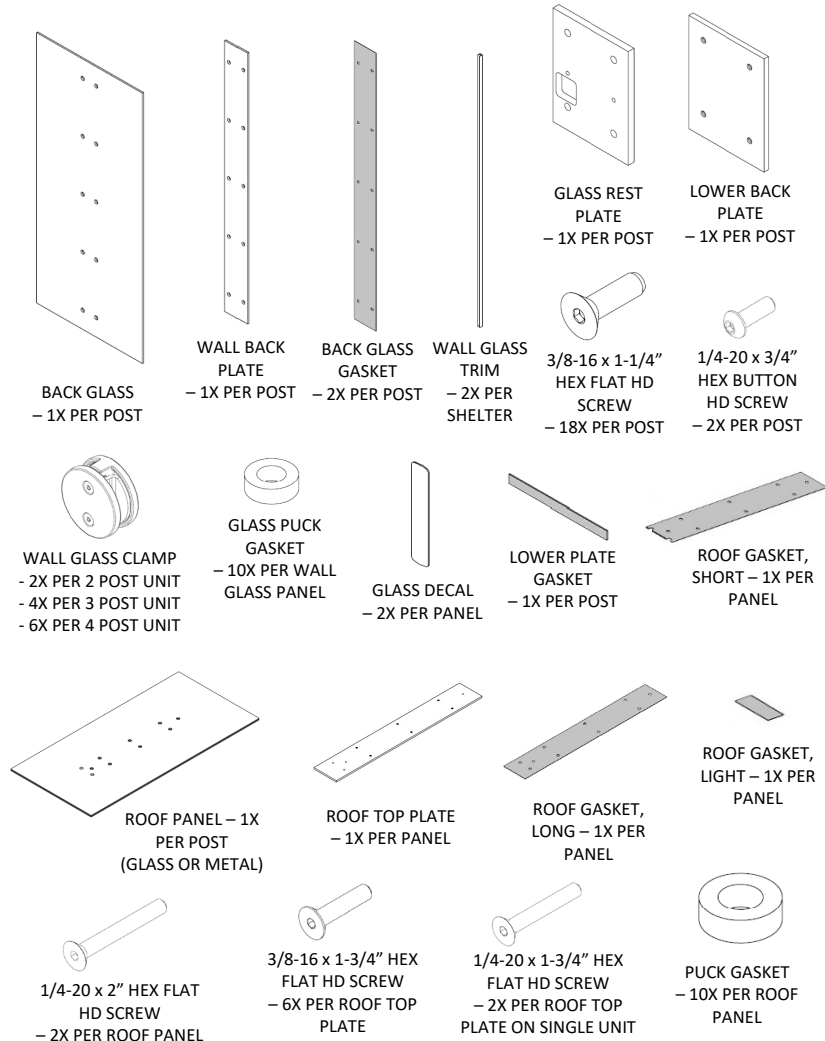
- Safety glasses
- 1-5/16" wrenches for anchor install
- level, 8ft recommended for four post shelter
- wiring connectors, if specified with LED lights
- 5/32" hex key for attaching post end cap to main post, roof connector plate and glass rest plate
- 7/32" hex key for attaching roof top plates and back plates
- Phillips head screwdriver for attaching roof connector and crossbar, and adjusting clamps on cover plate
- 1/8" hex key for cover plate removal and wall glass clamp
- Silicone, rated for outdoor use on glass/metal, approx. 5oz per shelter

Included components:



ASSEMBLE WITH CARE! Pangard II® Polyester Powdercoat is a strong, long-lasting finish. To protect this finish during assembly, place unwrapped powdercoated parts on packaging foam or other non-marring surface. Do not place or slide powdercoated parts on concrete or other hard or textured surface – this will damage the finish causing rust to occur. Use touch-up paint on any gouges in the finish caused by assembly tools.

Included components (continued):



PROCEDURE FOR ASSEMBLY:

1. Assemble anchor kit and anchor template as shown in Fig. 1. Multi-post units ship with additional roof connecting components and anchor template components. For 2, 3 and 4 post shelters, refer to Fig. 2 for anchor template assembly. Use a straight level or laser to verify anchor template is square and straight.
2. Anchor template has additional hole for conduit location, to be used if shelter is specified with lighting, see Fig. 3.
3. Place anchor template assembly in new pour concrete and allow to cure. Note orientation of anchors and conduit location for front of unit. Refer to Fig. 4 for layout spacing.
4. After concrete cures, remove top washers and nuts and wooden template.
5. Install inner post over anchors, pulling wiring (if specified) through post as it is lowered onto anchors. Do not pinch wires. Note orientation of post for front of unit, see Fig. 5. Repeat for multi-posts units.
6. Check vertical level on inner posts. Check spacing between base plates as noted in Fig. 6 to ensure back glass panel will install correctly. Do not fully tighten hardware.
7. Install main post over inner post, see Fig. 7. For units with lights: End cap on post is prewired and connected to main post at the factory. Wiring is installed and excess wire is secured to main post for transit. Do not remove shrink wrap until after install of main post. After main post is in position, remove shrink wrap from wiring and pull line-in wiring out through access hole on main post. Excess wire may be shortened if needed, then make wiring connections and place wires back inside of main post.
8. Attach main post to inner post, see Fig. 7.
9. Install top washers and nuts, see Fig. 7. Level unit and adjust nuts as necessary. If install is a multi-unit shelter, level across all base plates. Do not fully tighten hardware until entire shelter is assembled.
10. Check front and side of all posts for level. Adjust as necessary.
11. Install roof panels as shown in Fig. 8. For glass roof panels, glass panel is installed with frosted side facing down. Note orientation of holes in panel. Do not overtighten hardware.
12. For multi-post shelters, roof connecting components are included. Keep glass panel hardware loose until all connecting components have been installed. Install glass panel connectors first, as shown in Fig. 9., then install roof crossbars, see Fig. 10.
13. For back glass: Attach glass rest plate to main post, see Fig. 11 for orientation of plate.
14. Attach lower plate gasket to top of rest plate, see Fig. 11.
15. Attach back glass gasket to main post, see Fig. 12.
16. Install glass puck gaskets in holes in back glass, see Fig. 12.
17. Attach back glass, back glass gasket, wall back plate and lower back plate, see Fig. 12.
18. Install back cover plate, see Fig. 13.
19. For multi-post shelters, adjust gap between back glass panels as necessary. Install wall glass clamps as shown in Fig. 14. Fully tighten all hardware.
20. Attach glass decals for bird deterrents, see Fig. 14.
21. Install wall glass trim pieces. Apply bead of outdoor silicone (not included) along edge of outer wall glass panel. Attach U channel trim piece, see Fig. 14.
22. Install post cover plate, see Fig. 15.

NOTE: Landscape Forms is not responsible for site preparation or footings.

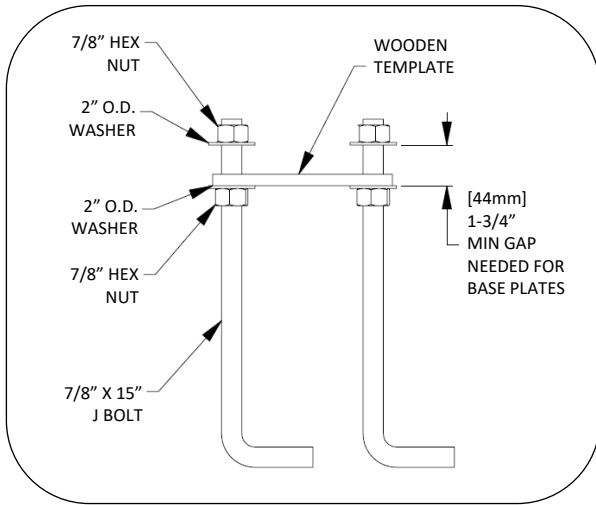


FIG. 1 – ASSEMBLE ANCHOR TEMPLATE

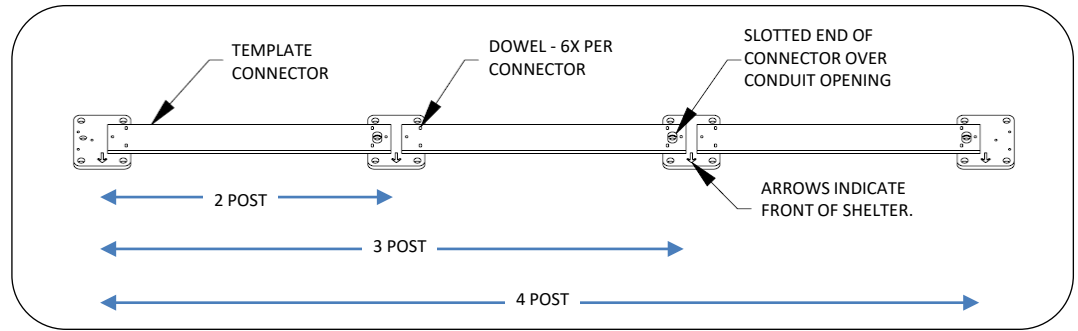


FIG. 2 – ASSEMBLE ANCHOR TEMPLATE (MULTI-POST SHELTERS)

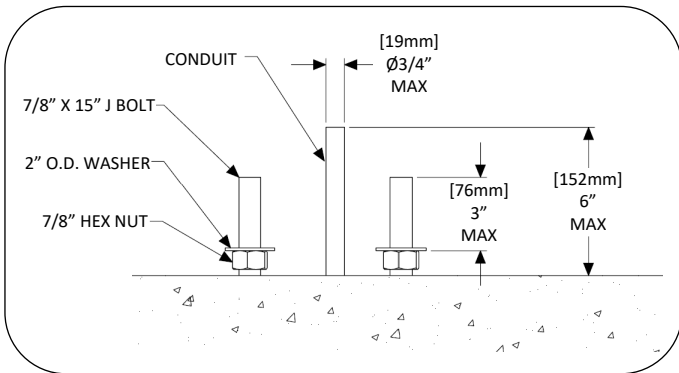


FIG. 3 – INSTALL ANCHORS

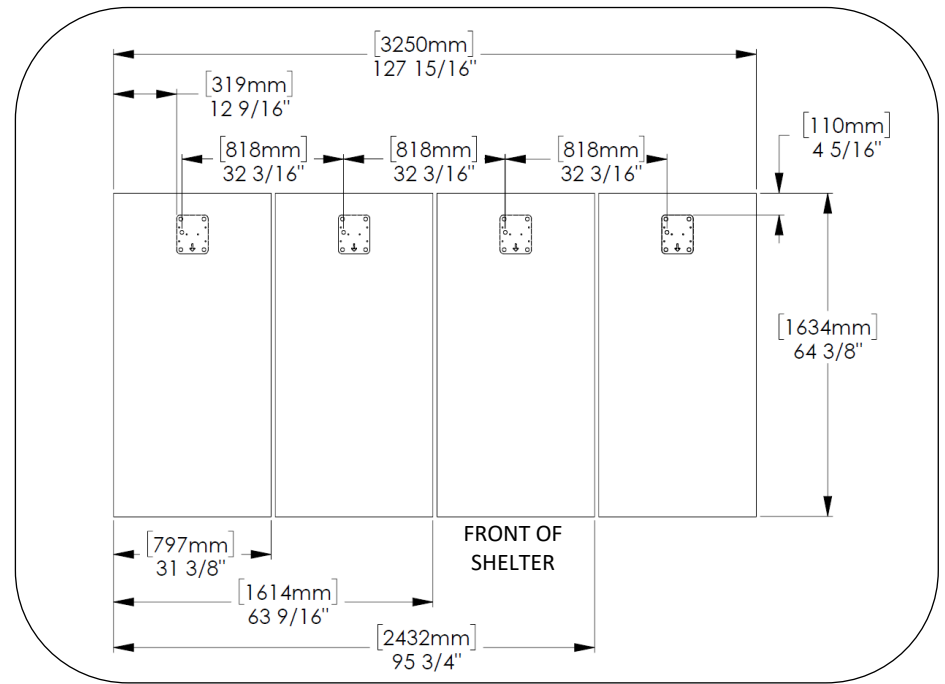


FIG. 4 – PLAN VIEW OF SHELTER WITH ANCHOR TEMPLATE SPACING

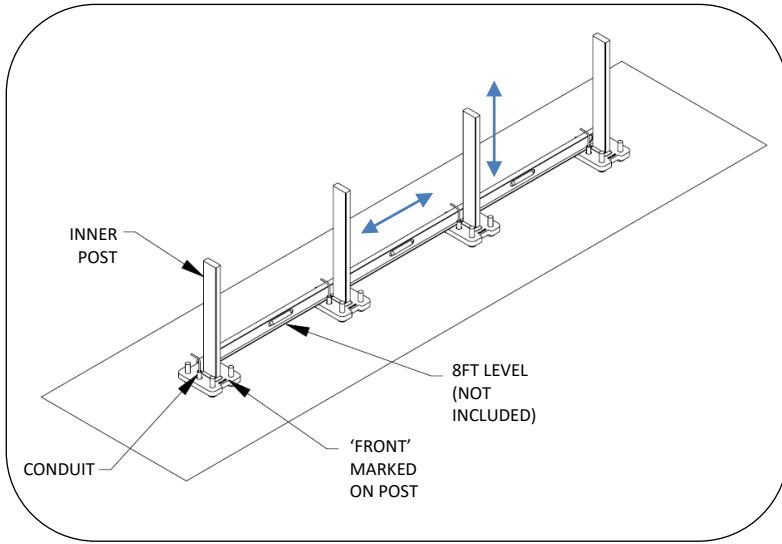


FIG. 5 – INSTALL INNER POSTS AND LEVEL

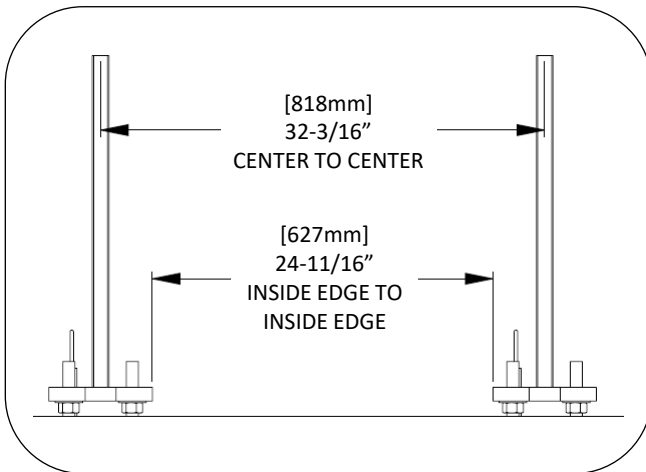


FIG. 6 – INNER POST SPACING CHECK

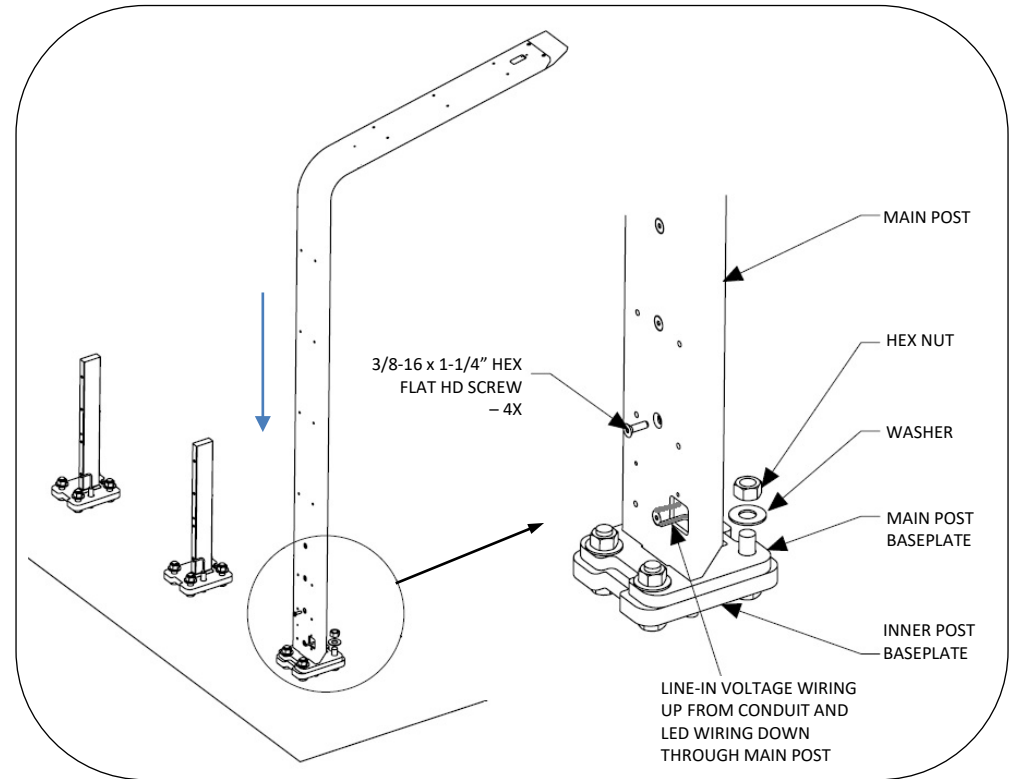


FIG. 7 – INSTALL MAIN POSTS

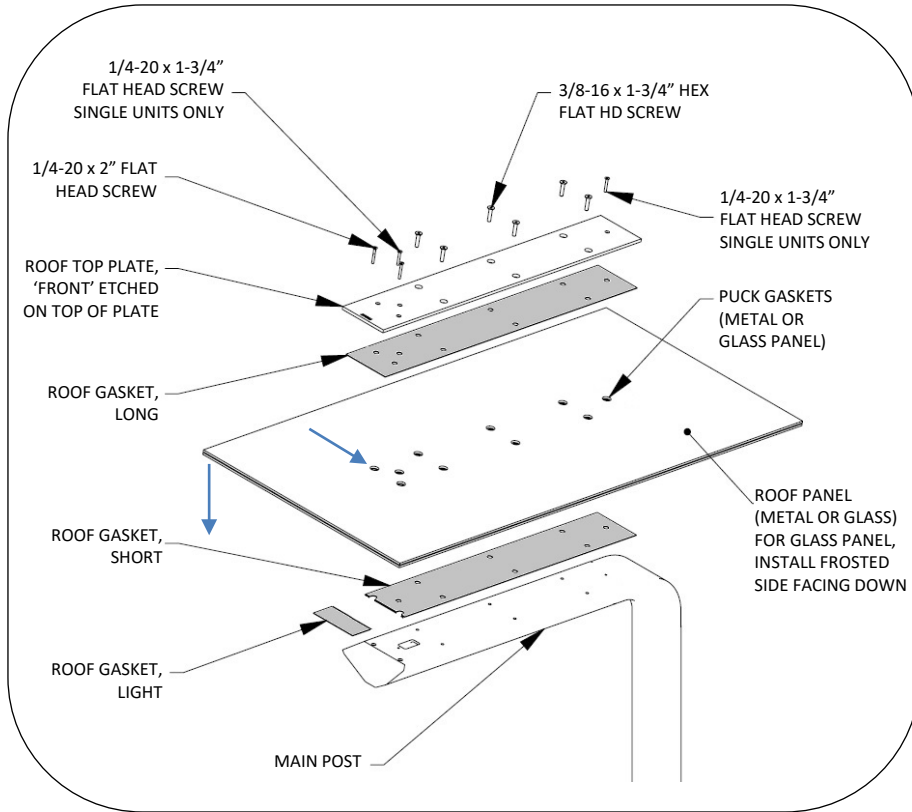


FIG. 8 – INSTALL ROOF PANEL

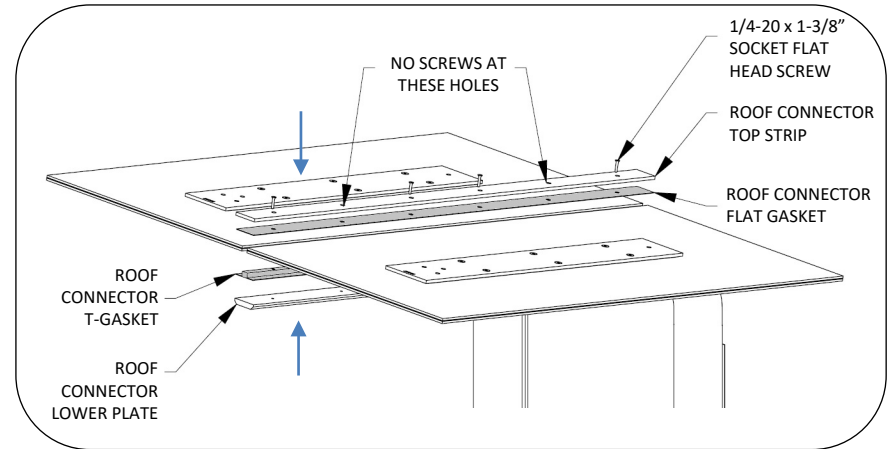


FIG. 9 – INSTALL ROOF PANEL CONNECTORS

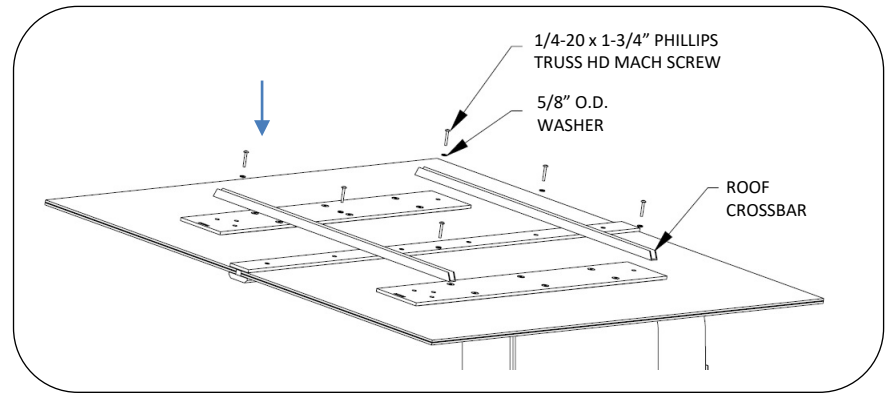


FIG. 10 – INSTALL ROOF PANEL CROSSBARS

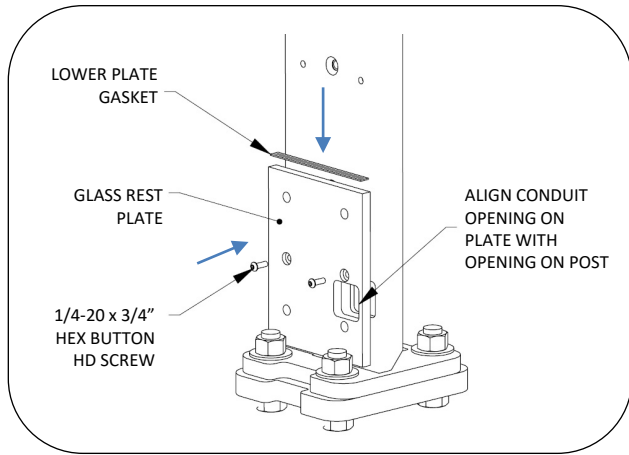


FIG. 11 – INSTALL GLASS REST PLATE

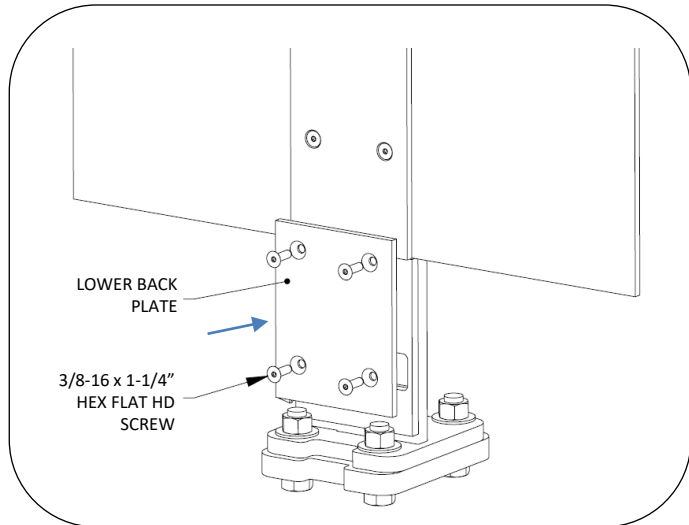


FIG. 13 – INSTALL BACK COVER PLATE

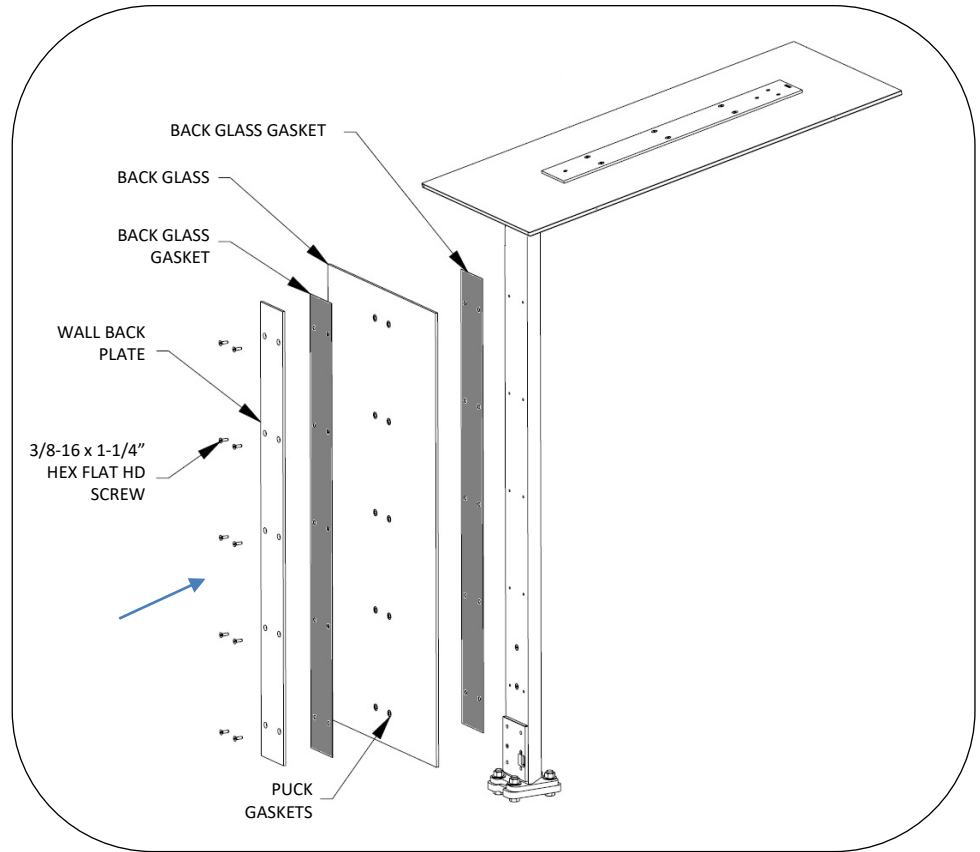


FIG. 12 – INSTALL BACK GLASS

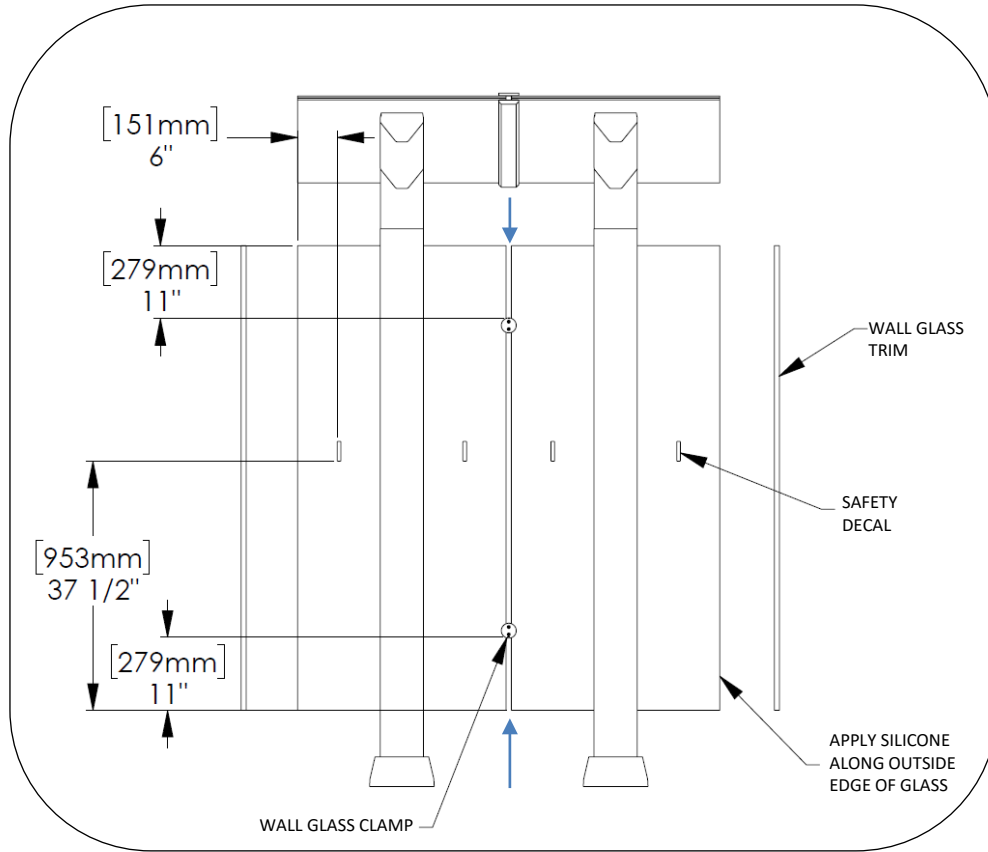


FIG. 14 – INSTALL GLASS TRIM, CLAMPS AND DECALS

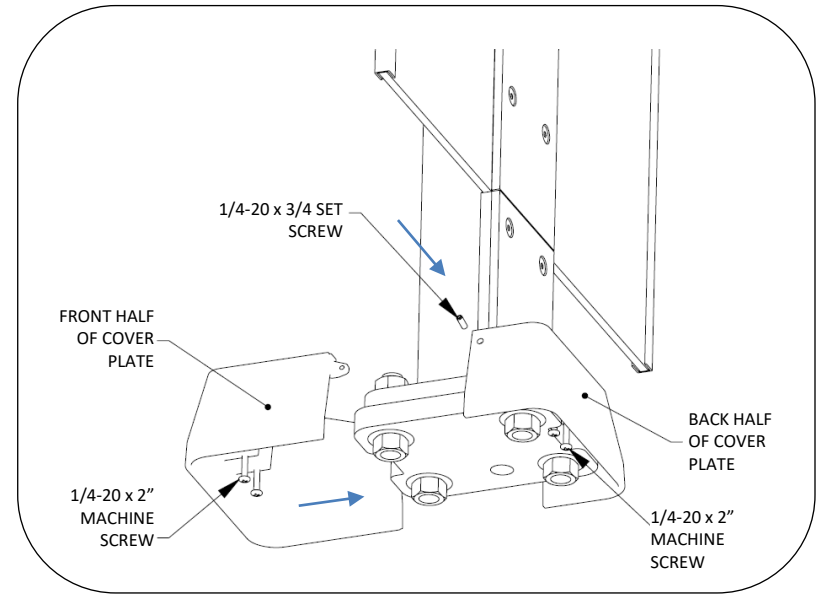


FIG. 15 – INSTALL COVER PLATE