

Bench options

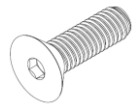
Included components

- Bench ships with dividers and surface mount tabs installed, if ordered. Paver adapters and anchoring hardware are shipped loose.

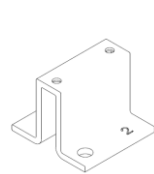


surface mount - paver mount
anchor bolt

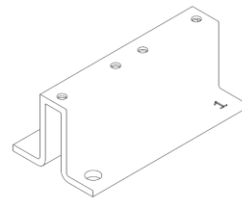
threaded rod – 4x



paver adapter
screw



Backless bench
paver adapter



Backed bench
paver adapter

- Backless bench:
 - surface mount: (2) anchor bolts per bench
 - paver adapters: (2) paver adapters, (4) anchor bolts, (4) paver adapter screws per bench
- Backed bench:
 - surface mount: (4) anchor bolts per bench
 - paver adapters: (2) paver adapters, (4) anchor bolts, (8) paver adapter screws per bench

Tools Required

- Safety glasses
- Hammer drill with 9/16" dia masonry drill bit (surface mount) or 5/8" drill bit (embedded)
- Hammer (for surface mount or paver mount)
- 9/16" wrench (for surface mount or paver mount)
- 7/32" hex key (for surface mount or paver mount)
- epoxy anchoring system
- compressed air for clearing anchor holes of debris

ASSEMBLE WITH CARE! Pangard II® Polyester Powdercoat is a strong, long-lasting finish. To protect this finish during assembly, place unwrapped powdercoated parts on packaging foam or other non-marring surface. Do not place or slide powdercoated parts on concrete or other hard or textured surface – this will damage the finish causing rust to occur. Use touch-up paint on any gouges in the finish caused by assembly tools.

PROCEDURE FOR INSTALLATION:

1. Prepare proper footing or slab as required.

Note: Landscape Forms is not responsible for footing or slab installation.

FOR SURFACE MOUNTED BENCH: See figures 1 and 2.

Note: DO NOT DRAG bench across concrete or other rough surfaces. This could damage the powdercoat finish.

2. Check the screws that fasten the mounting plates to the bench and tighten if loose.
3. Place unit in desired position and mark anchor locations through holes provided in base plate. See Figures 1 and 2 for minimum concrete base requirements.
4. Move unit and drill holes using 9/16" dia. drill bit.
5. Clear the holes of dust and debris using compressed air.
6. Fill holes with epoxy as directed by epoxy manufacturer.
7. Install concrete grip anchors so top of anchor is flush or just below grade.
8. Move unit in position.
9. Install hex bolts, washers and nuts. Do not tighten fully until epoxy has cured.
10. Periodically check fasteners and tighten if required.

FOR EMBEDDED BENCH: See figures 3 and 4.

Note: Threaded rods for embedding are intended for adhesive anchoring. Once installed, the bench cannot be removed without damaging the bench and/or concrete base. Use either Powers Fasteners AC100 Plus™ or Hilti HIT RE 500 adhesive, approximately 3 ounces per bench is required. Gel and cure times vary with temperature, follow manufacturer's instructions for application.

1. Lay out anchor locations as shown in Figures 3 and 4.
2. Drill holes using hammer drill and 5/8" dia drill bit.
3. Completely clear holes of debris. Holes must be free of standing water or ice.
4. Install threaded rods in end support castings. Threaded portion should extend 4" from the bottom of the casting. It is not necessary to tighten the rods.
5. Before dispensing adhesive, place bench in the installed position to verify correct placement of holes. Prepare support for bench to hold it in position while adhesive cures.
6. Remove the bench.
7. Follow the manufacturer's instructions for dispensing adhesive. Fill the holes from the bottom up to avoid air pockets. Fill to a level 1" from the top of each hole. The adhesive level will rise to the top of the hole as the bench is set in place.
8. Set the bench in position. Clean off any excess adhesive before it gels.
9. Allow adhesive to cure before removing bench bracing.

FOR PAVER ADAPTERS: See figures 5 and 6.

Note: Attach paver adapters using hardware provided. Proceed with installation using surface mount option.

DIMENSIONS ARE IN INCHES

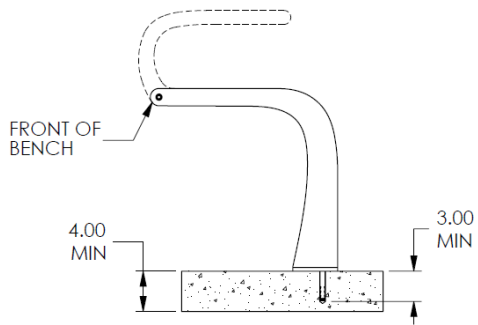
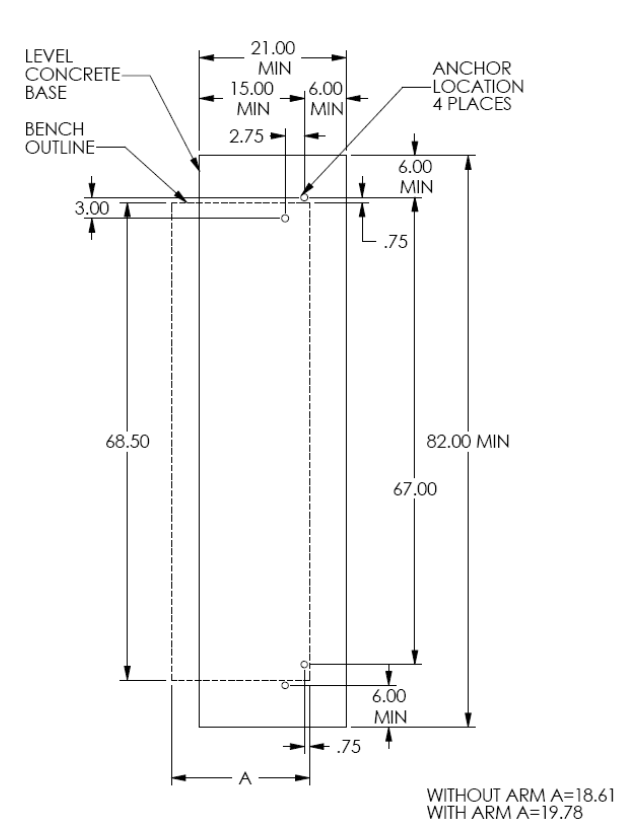
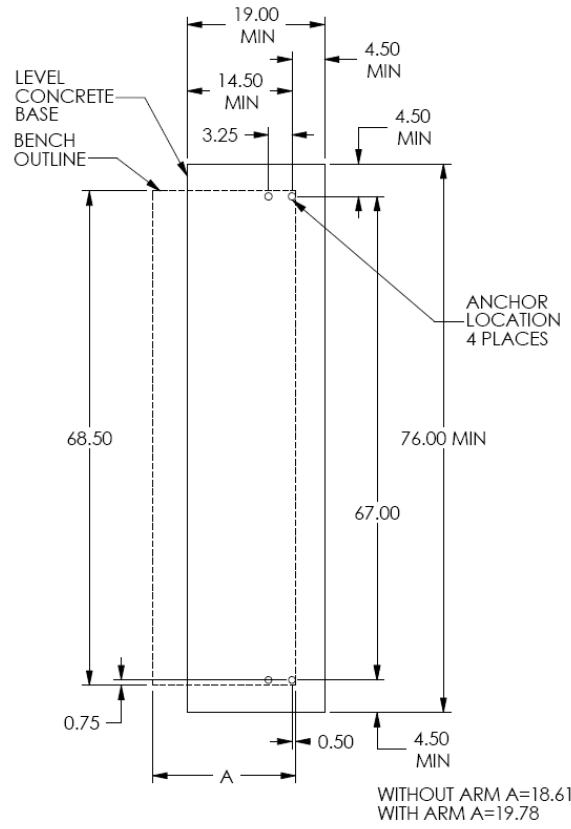
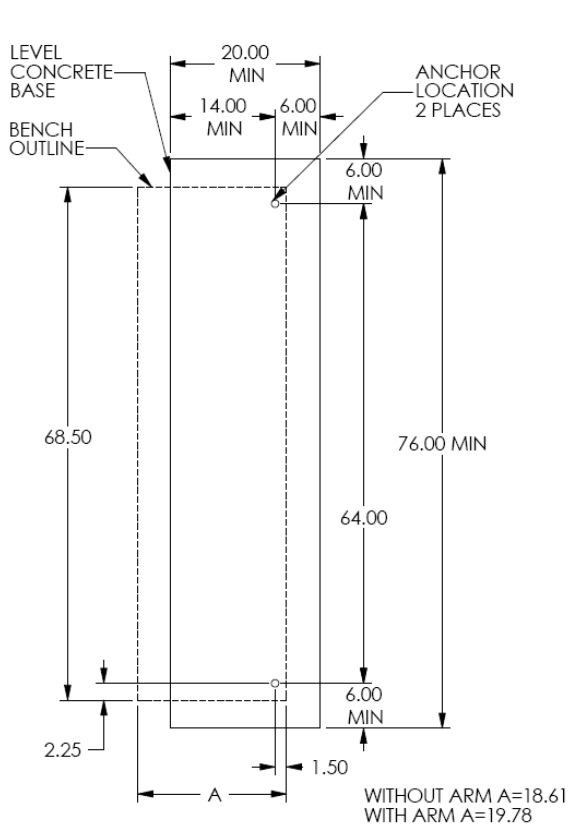


FIGURE 1
STAY BACKLESS BENCH
SURFACE MOUNT ANCHOR LOCATIONS

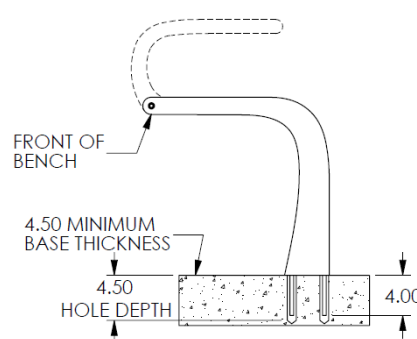


FIGURE 3
STAY BACKLESS BENCH
EMBEDDED ANCHOR LOCATIONS

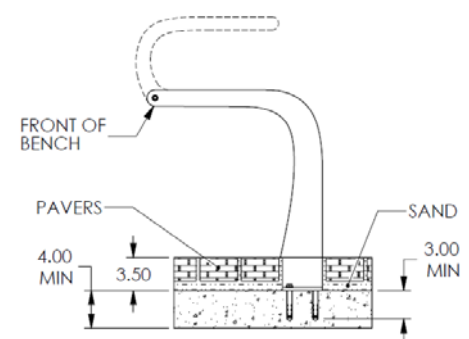


FIGURE 5
STAY BACKLESS BENCH
PAVER ADAPTER ANCHOR LOCATIONS

DIMENSIONS ARE IN INCHES

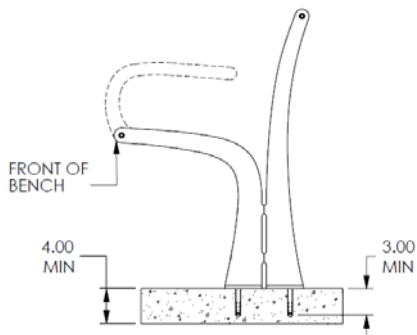
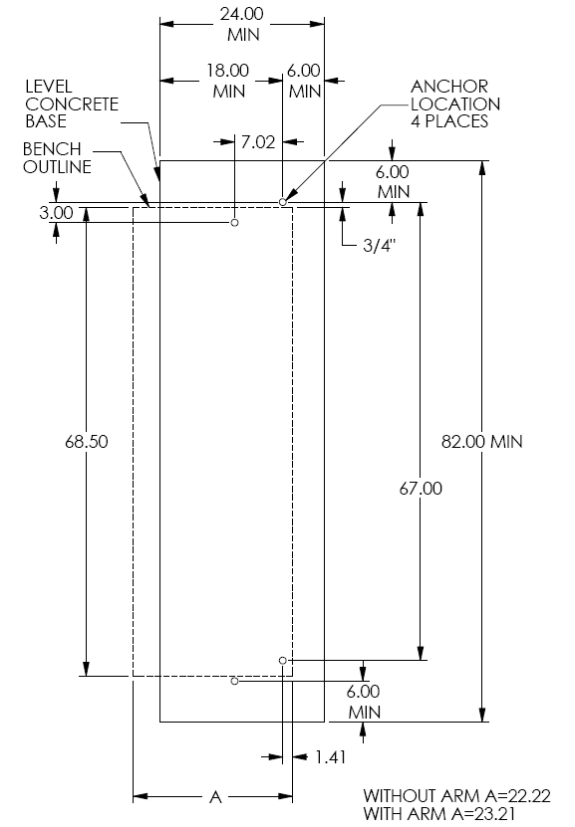
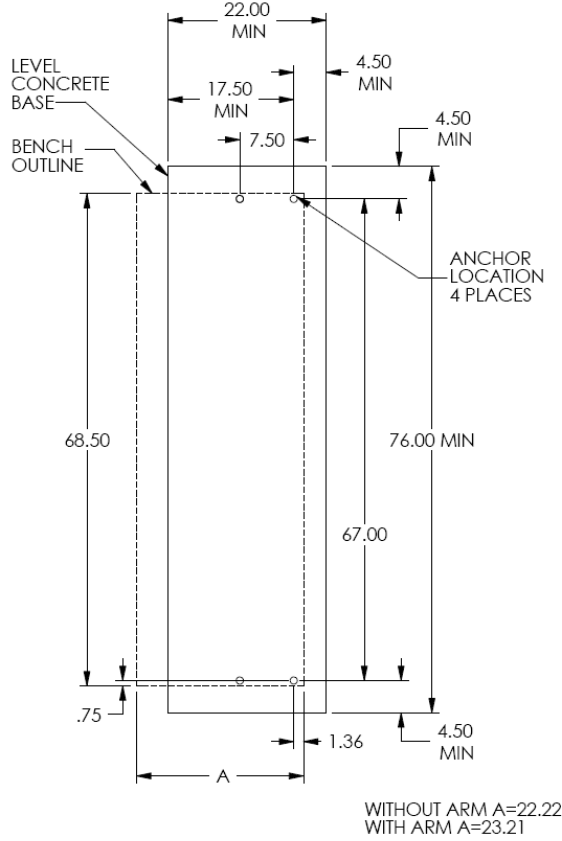
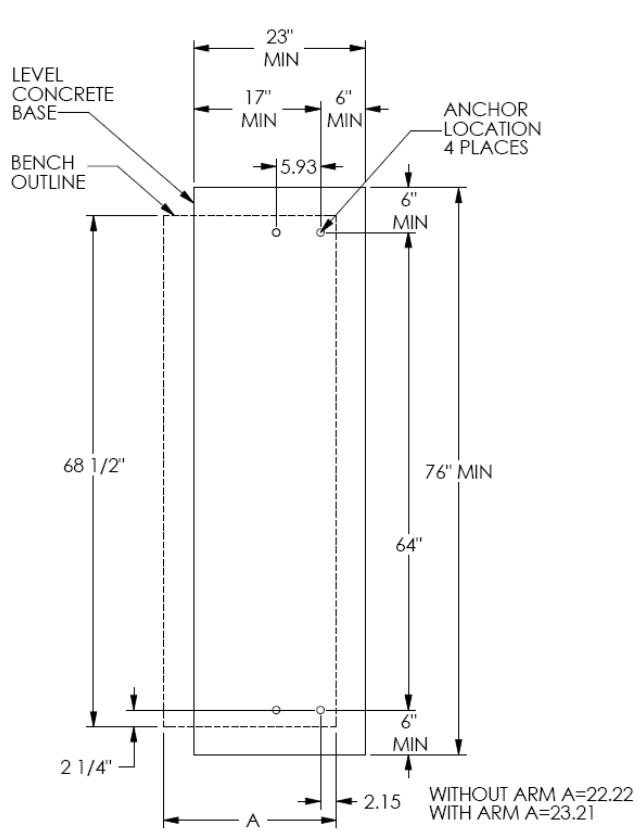


FIGURE 2
STAY BACKED BENCH
SURFACE MOUNT ANCHOR LOCATIONS

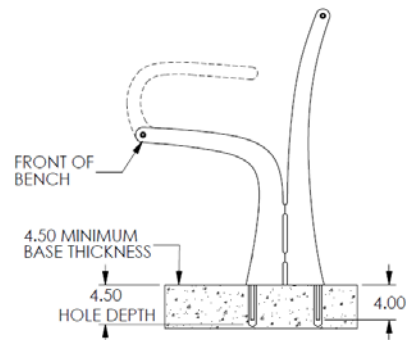


FIGURE 4
STAY BACKED BENCH
EMBEDDED ANCHOR LOCATIONS

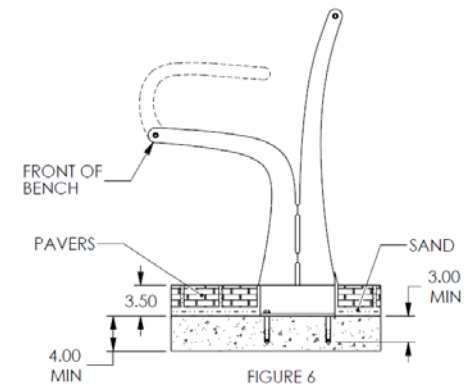


FIGURE 6
STAY BACKED BENCH
PAVER ADAPTER ANCHOR LOCATIONS