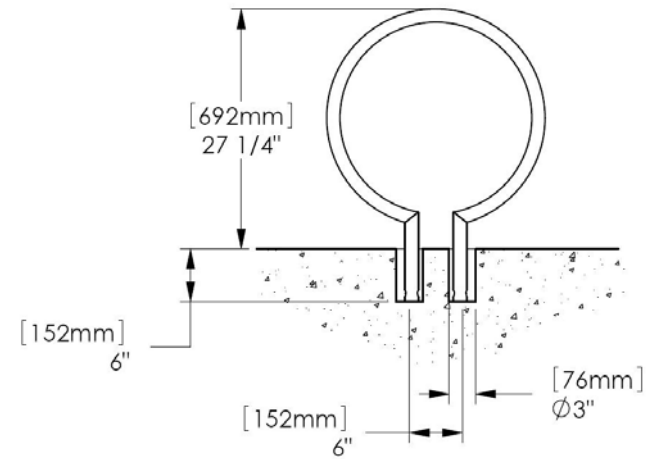


Embedded

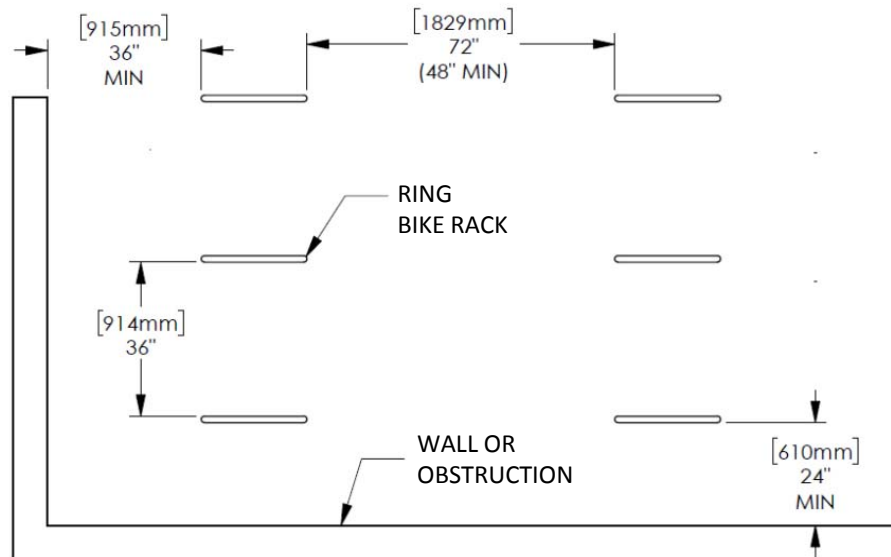
HANDLE WITH CARE! Ring's finish can be scuffed by contact with tools, concrete, or other abrasive surfaces. Protect the finish from damage during installation. Use touch-up paint to repair any powder coat finish abrasions.

Tools Required

- Unit ships assembled



Side Elevation, showing core drill sizes



Recommended spacing, according to Association of Pedestrian and Bicycle Professionals (APBP)

INSTALLATION:

1. Core drill 3" diameter (minimum) holes 6" deep.
2. Prepare the holes for outdoor anchoring cement, such as Kwixset™ or Super Por-rok®. Follow the manufacturer's instructions for blowing out dust, filling with water, scrubbing, and removing excess water.
3. Place the bike rack back into position and fill the holes with anchoring cement.