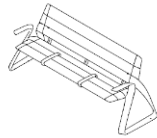
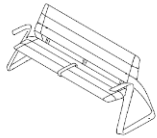
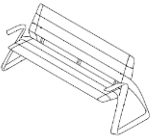
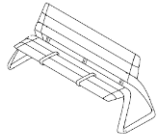
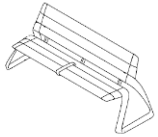
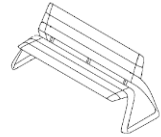
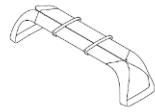
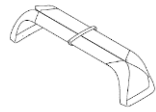
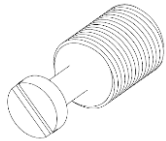


Backless bench



Backed bench

Included components:



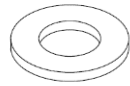
5/8-11 threaded Bolt
2x - surface mount



1/4-20 x 1-1/2" hex Set screw
2x - surface mount



3/8-16 x 5-1/8" Threaded rod
4x - embed mount



5/8 washer for spacing
1x - surface mount

Tools Required for surface mount or embedded options:

- Safety glasses
- Hammer drill with masonry bits
- Hex key, 1/8" (surface mount) 7/32" (embedded)
- Flat blade screwdriver (surface mount)
- Chemical anchoring adhesive (Hilti HIT RE 500 or equivalent) (embedded)
- (2) Zinc-plated drop-in anchors for 5/8-11 thread size (surface mount), for use with Magni-coated bolts

ASSEMBLE WITH CARE! Pangard II® Polyester Powdercoat is a strong, long-lasting finish. To protect this finish during assembly, place unwrapped powdercoated parts on packaging foam or other non-marring surface. Do not place or slide powdercoated parts on concrete or other hard or textured surface – this will damage the finish causing rust to occur. Use touch-up paint on any gouges in the finish caused by assembly tools.

PROCEDURE FOR INSTALLATION:

1. Prepare proper concrete slab as required.
2. Freestanding unit ships with glides installed. Unit can be set in place.

Note: DO NOT DRAG unit across concrete or other rough surfaces. This could damage the finish.

For SURFACE MOUNT: leave glides installed.

1. Turn unit upside down on protective padding. Install surface mount bolts as shown in Fig. 4.
2. Set unit in position. Trace around anchors to mark hole locations.
3. Move unit. Drill holes according to anchor manufacturer's recommendations. Clear holes of debris.
4. Test fit unit to make sure holes align with anchor bolts.
5. Install drop-in anchors (or other anchoring option).
6. Remove surface mount bolts from unit. Install into drop-in anchors. Use the supplied washer as a height gauge, see Fig. 1, for the surface mount bolt. The top of the threaded portion of the surface mount bolt should be flush with the top of the washer. Remove the washer after setting the height, and reuse for the second surface mount bolt.
7. Set unit over surface mount anchors. Verify that the rubber pads (glides) are sitting firmly on the hard surface. Do not allow the weight of the bench to sit on top of the surface mount bolt as this will cause damage.
8. Install set screws to secure, see Fig. 2. Gently lift up on the ends of the bench to verify proper mounting.

For EMBEDDED MOUNT: leave glides installed.

1. Turn unit upside down on protective padding.
2. Remove one screw from each glide pad as shown in Fig. 5.
3. Install threaded rods as shown in Fig. 6.
4. Set unit in position. Trace around rods to mark hole locations.
5. Move unit. Drill holes according to anchor manufacturer's recommendations, see Fig. 3. Clear holes of debris.
6. Test fit unit to make sure holes align and embedded rods are not resting on the bottom of the holes.
7. Remove unit and fill holes with anchoring adhesive as recommended by manufacturer. Fill holes from the bottom up to prevent air pockets. Do not fill holes to the top.
8. Set unit in place. Wipe away excess adhesive before it cures.
9. Allow bench to sit undisturbed until adhesive fully cures.

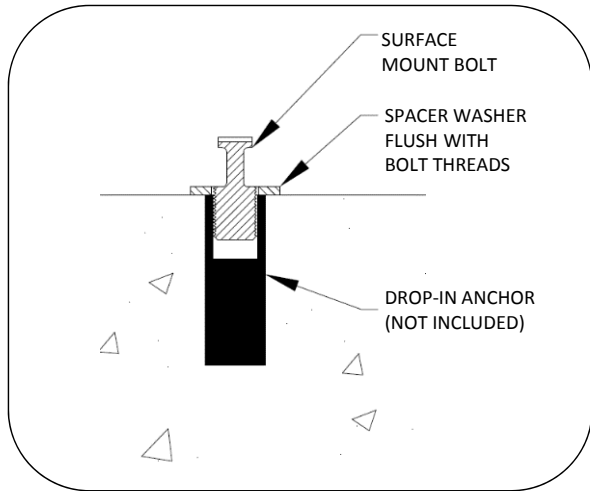


Fig. 1 – Section view of spacer for surface mt bolt

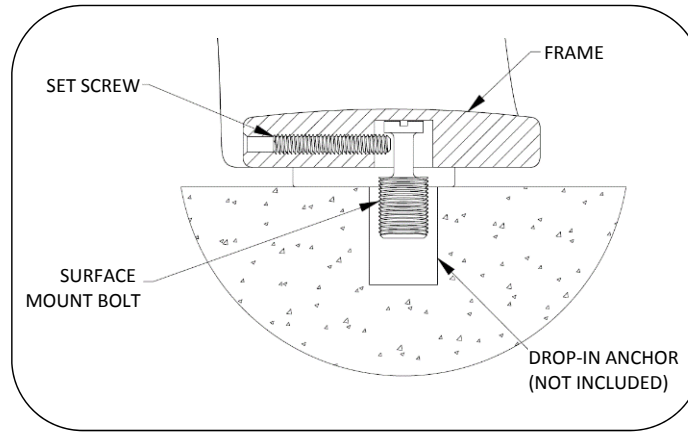


Fig. 2 – Section view of installed surface mount bolt

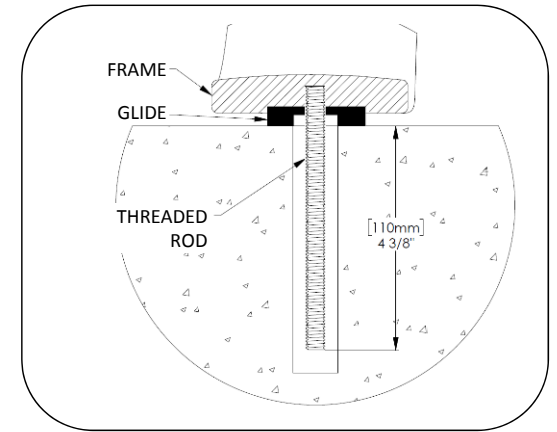


Fig. 3 – Section view of installed threaded rod

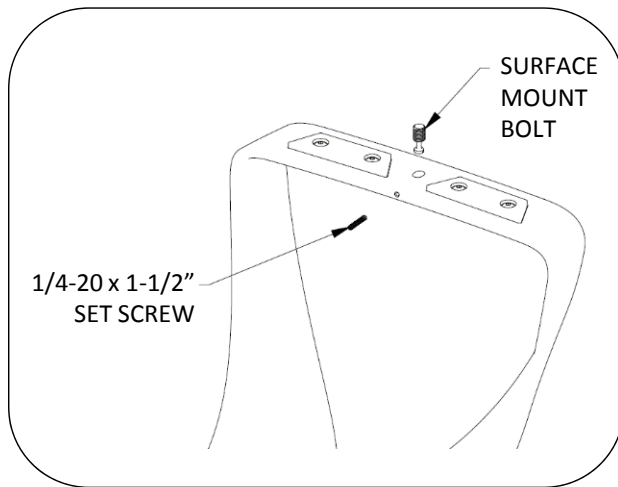


Fig. 4 – install surface mount bolt

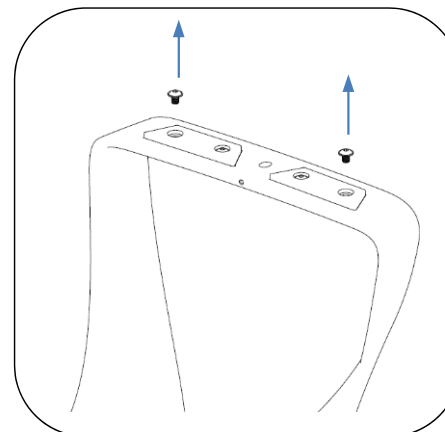


Fig. 5 – Remove screws from bench glides for embedding

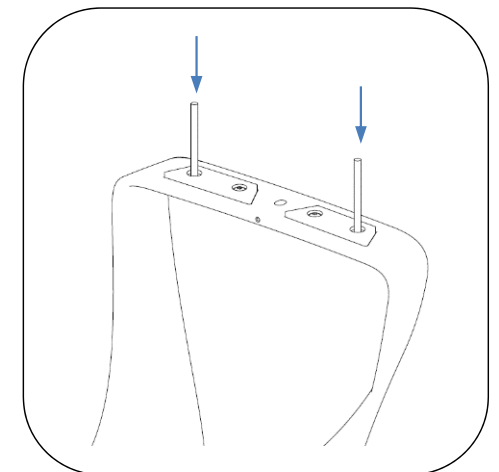


Fig. 6 – Install threaded rods in bench for embedding