

# Rama Area Light

landscapeforms®

Spec Sheet | RAL



Designed by Gonzalo Mila, Rama offers a minimalist design, universal aesthetic, and broad versatility. Directional lighting reduces light pollution and puts light where it is needed, and energy-efficient, warm white LEDs with a clear or frosted lens provide excellent performance and a great visual experience. Single or multiple luminaires that can be mounted in different positions on a range of pole heights make Rama suitable for any outdoor space. A simple clamping mechanism allows Rama luminaires to be retrofitted to existing 5" poles. With multiple distribution types and drive currents, Rama provides appropriate light levels for a variety of outdoor spaces and lighting requirements.

## Housing & Materials

Cast aluminum construction with tempered glass diffuser lens. Hinged electrical access lid gives access to internal electrical components. All hardware is stainless steel.

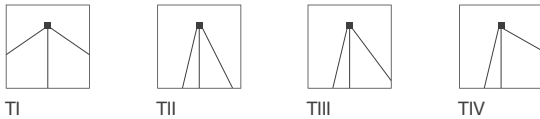
## Electrical

120V through 277V 50/60 Hz electronic driver. 0-10V dimming. -40°C start temperature. Available with optional ANSI C136.41 twist lock receptacle or Wattstopper FSP-211 photo/motion. Rama ships prewired and fully assembled.

## Light Engine

High powered LEDs mounted to a RoHS compliant circuit board with PMMA optics affixed to each LED on the board. Available in 2700K, 3000K, and 4000K. >80 CRI across all available color temperatures.

## Distributions



## Warranty

Urbidermis Santa & Cole guarantees the composition and performance features of all material that shape the product for a period of three years. Electrical components including LED boards and electronic drivers are guaranteed for a period of five years.

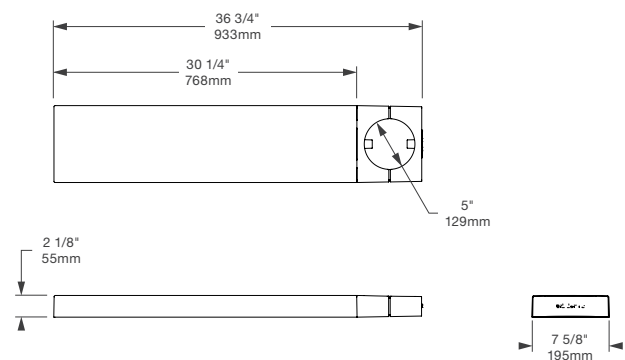
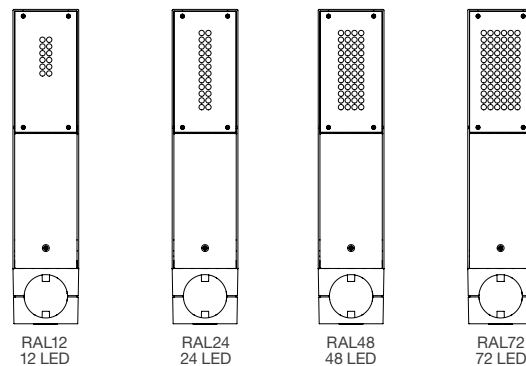
## Certification

UL Listed for Wet Location, CE, International Dark Sky Approved, RoHS Compliant



Designed by Gonzalo Mila for Urbidermis Santa & Cole

## LED Configurations



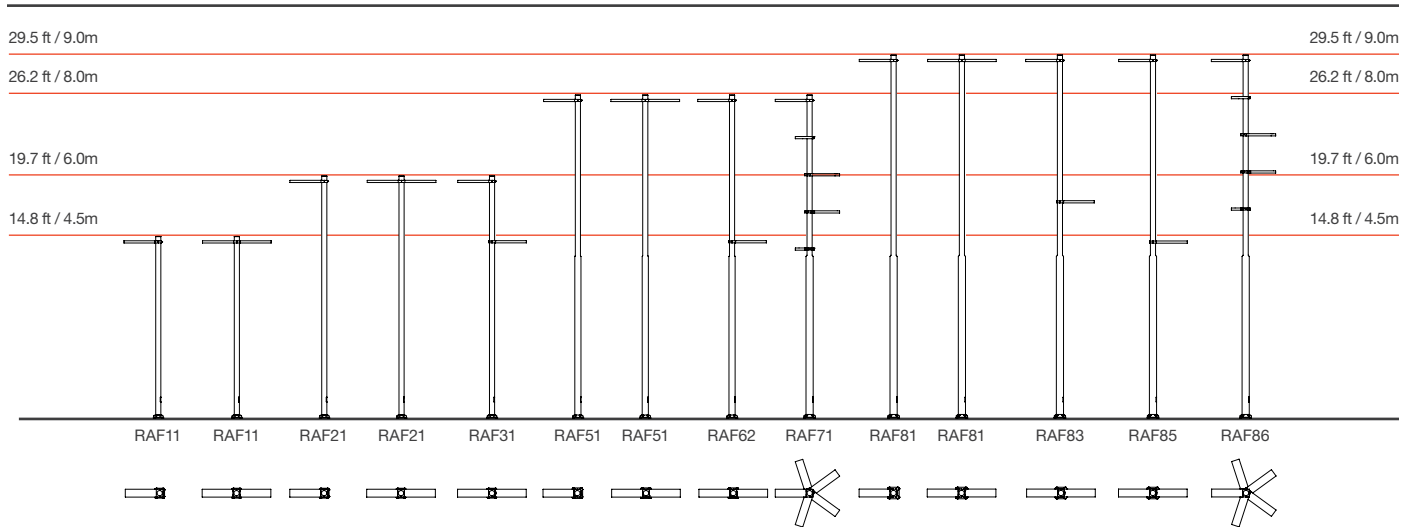
Weight: 20lbs (luminaire only)  
EPA: 1.06ft<sup>2</sup>

TM21 L70(10k): 50,000hrs  
Protection Class: IP66

# Rama Area Light



## Spec Sheet | RAL

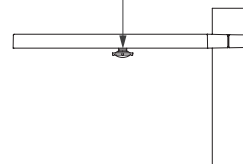


See customer drawings for luminaire mounting height details.

### Pole

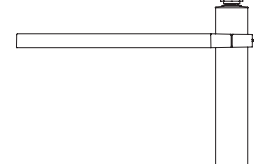
Manufactured from seamless 6063 aluminum alloy and heat treated to produce a T6 temper. Flush mounted hand hole cover includes two magnicoated fasteners. Base plate is cast aluminum A356 alloy heat treated to a T6 temper and includes four cast aluminum nut covers. Mounting template and anchor hardware is also included. Anchor bolts conform to ASTM F1554 Grade 55 and are provided with two hex nuts and two flat washers. Bolts have an "L" bend on one end and are galvanized a minimum of 12" on the threaded end.

Photo/motion sensor



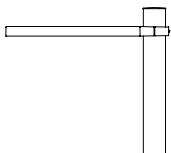
Click [here](#) to view the technical data sheet for the photo/motion sensor.

Twist lock receptacle

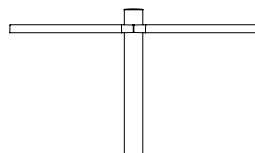


### Mounting

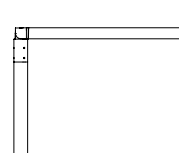
The luminaire attaches to a 5" diameter section of pole using a cast aluminum two-piece compression clamp. For single mount applications, a cast aluminum back clamp is secured to the luminaire using stainless steel screws. For double mount applications, the luminaires are mounted directly (back-to-back) to each other. For tenon mount retrofit applications, the luminaire slip fits a 2-3/8 O.D. tenon and is secured by 6 stainless steel set screws.



Single Mount Bracket  
RAA01



Double Mount Bracket  
RAA02



Tenon Retrofit Mount Bracket  
RAA06

# Rama Area Light

landscapeforms®

Spec Sheet | RAL

## Performance Data

Model	System Power	LED Quantity	CCT	Drive Current	Type I (TI) IES Type I			Type II (TII) IES Type II		
					Delivered Lumens*	Efficacy*	BUG Rating	Delivered Lumens*	Efficacy*	BUG Rating
RAL12A3xx	14	12	2700K 80 CRI	350	1349	95	B1-U0-G1	1481	105	B1-U0-G1
RAL12B3xx	20			500	1835	91	B1-U0-G1	2014	100	B1-U0-G1
RAL12C3xx	28			700	2392	84	B1-U0-G1	2624	92	B1-U0-G1
RAL12A1xx	14		3000K 80 CRI	350	1349	95	B1-U0-G1	1481	105	B1-U0-G1
RAL12B1xx	20			500	1835	81	B1-U0-G1	2014	100	B1-U0-G1
RAL12C1xx	28			700	2392	84	B1-U0-G1	2624	92	B1-U0-G1
RAL12A2xx	14		4000K 80 CRI	350	1552	112	B1-U0-G1	1703	122	B1-U0-G1
RAL12B2xx	20			500	2111	106	B1-U0-G1	2316	117	B1-U0-G1
RAL12C2xx	28			700	2751	98	B1-U0-G1	3018	108	B1-U0-G1
RAL24A3xx	27	24	2700K 80 CRI	350	2656	99	B1-U0-G1	2914	109	B1-U0-G1
RAL24B3xx	38			500	3612	95	B2-U0-G2	3963	104	B2-U0-G2
RAL24C3xx	54			700	4707	87	B2-U0-G2	5165	96	B2-U0-G2
RAL24A1xx	27		3000K 80 CRI	350	2656	99	B1-U0-G1	2914	109	B1-U0-G1
RAL24B1xx	38			500	3614	95	B2-U0-G2	3963	104	B2-U0-G2
RAL24C1xx	54			700	4707	87	B2-U0-G2	5165	96	B2-U0-G2
RAL24A2xx	26		4000K 80 CRI	350	3054	116	B2-U0-G2	3351	127	B2-U0-G2
RAL24B2xx	38			500	4154	111	B2-U0-G2	4559	121	B2-U0-G2
RAL24C2xx	53			700	5414	102	B2-U0-G2	5940	112	B2-U0-G2
RAL48A3xx	51	48	2700K 80 CRI	350	5366	105	B2-U0-G2	5888	115	B2-U0-G2
RAL48B3xx	73			500	7299	100	B3-U0-G3	8009	109	B3-U0-G3
RAL48C3xx	103			700	9811	92	B3-U0-G3	10437	101	B3-U0-G3
RAL48A1xx	51		3000K 80 CRI	350	5366	105	B2-U0-G2	5888	115	B2-U0-G2
RAL48B1xx	73			500	7299	100	B3-U0-G3	8099	109	B3-U0-G3
RAL48C1xx	103			700	9511	92	B3-U0-G3	10437	101	B3-U0-G3
RAL48A2xx	50		4000K 80 CRI	350	6172	122	B3-U0-G3	6772	134	B3-U0-G3
RAL48B2xx	72			500	8395	117	B3-U0-G3	9212	128	B3-U0-G3
RAL48C2xx	102			700	10939	108	B3-U0-G3	12004	118	B3-U0-G3
RAL72A3xx	77	72	2700K 80 CRI	350	7924	103	B3-U0-G3	8695	112	B3-U0-G3
RAL72B3xx	110			500	10779	98	B3-U0-G3	11827	107	B3-U0-G3
RAL72C3xx	156			700	14046	90	B3-U0-G3	15412	99	B3-U0-G3
RAL72A1xx	77		3000K 80 CRI	350	7924	103	B3-U0-G3	8695	112	B3-U0-G3
RAL72B1xx	110			500	10779	98	B3-U0-G3	11827	107	B3-U0-G3
RAL72C1xx	156			700	14046	90	B3-U0-G3	15412	99	B3-U0-G3
RAL72A2xx	76		4000K 80 CRI	350	9114	120	B3-U0-G3	10001	131	B3-U0-G3
RAL72B2xx	109			500	12397	114	B3-U0-G3	13603	125	B3-U0-G3
RAL72C2xx	153			700	16155	106	B4-U0-G4	17727	116	B4-U0-G4

This data is subject to change.

\*Apply 0.93 multiplier for opal / diffused lens option.

# Rama Area Light

landscapeforms®

Spec Sheet | RAL

## Performance Data (cont.)

Model	System Power	LED Quantity	CCT	Drive Current	Type III (TIII) IES Type III			Type IV (TIV) IES Type IV		
					Delivered Lumens*	Efficacy*	BUG Rating	Delivered Lumens*	Efficacy*	BUG Rating
RAL12A3xx	14	12	2700K 80 CRI	350	1394	99	B0-U0-G0	1450	103	B0-U0-G0
RAL12B3xx	20			500	1897	94	B0-U0-G0	1973	98	B1-U0-G1
RAL12C3xx	28			700	2471	87	B1-U0-G1	2571	91	B1-U0-G1
RAL12A1xx	14		3000K 80 CRI	350	1394	99	B0-U0-G0	1450	103	B0-U0-G0
RAL12B1xx	20			500	1897	94	B0-U0-G0	1973	98	B1-U0-G1
RAL12C1xx	28			700	2471	87	B1-U0-G1	2571	91	B1-U0-G1
RAL12A2xx	14		4000K 80 CRI	350	1604	115	B0-U0-G0	1668	120	B1-U0-G1
RAL12B2xx	20			500	2181	110	B1-U0-G1	2269	115	B1-U0-G1
RAL12C2xx	28			700	2842	102	B1-U0-G1	2957	106	B1-U0-G1
RAL24A3xx	27	24	2700K 80 CRI	350	2744	103	B1-U0-G1	2854	107	B1-U0-G1
RAL24B3xx	38			500	3732	98	B1-U0-G1	3882	102	B1-U0-G1
RAL24C3xx	54			700	4864	90	B1-U0-G1	5059	94	B1-U0-G1
RAL24A1xx	27		3000K 80 CRI	350	2744	103	B1-U0-G1	2854	107	B1-U0-G1
RAL24B1xx	38			500	3732	98	B1-U0-G1	3882	102	B1-U0-G1
RAL24C1xx	54			700	4864	90	B1-U0-G1	5059	94	B1-U0-G1
RAL24A2xx	26		4000K 80 CRI	350	3156	120	B1-U0-G1	3283	125	B1-U0-G1
RAL24B2xx	38			500	4293	114	B1-U0-G1	4465	119	B1-U0-G1
RAL24C2xx	53			700	5594	106	B1-U0-G1	5819	110	B1-U0-G1
RAL48A3xx	51	48	2700K 80 CRI	350	5545	108	B1-U0-G1	5769	113	B1-U0-G1
RAL48B3xx	73			500	7542	103	B1-U0-G1	7845	108	B2-U0-G2
RAL48C3xx	103			700	9828	95	B2-U0-G2	10223	99	B3-U0-G3
RAL48A1xx	51		3000K 80 CRI	350	5545	108	B1-U0-G1	5768	113	B1-U0-G1
RAL48B1xx	73			500	7542	103	B1-U0-G1	7845	108	B2-U0-G2
RAL48C1xx	103			700	9828	95	B2-U0-G2	10223	99	B2-U0-G2
RAL48A2xx	50		4000K 80 CRI	350	6378	127	B1-U0-G1	6634	132	B2-U0-G2
RAL48B2xx	72			500	8675	121	B1-U0-G2	9023	126	B2-U0-G2
RAL48C2xx	102			700	11304	111	B2-U0-G2	11758	116	B2-U0-G2
RAL72A3xx	77	72	2700K 80 CRI	350	8189	106	B1-U0-G1	8518	111	B2-U0-G2
RAL72B3xx	110			500	11138	101	B2-U0-G2	11586	105	B2-U0-G2
RAL72C3xx	156			700	14514	93	B2-U0-G2	15097	97	B3-U0-G3
RAL72A1xx	77		3000K 80 CRI	350	8189	106	B1-U0-G1	8518	111	B2-U0-G2
RAL72B1xx	110			500	11138	101	B2-U0-G2	11586	105	B2-U0-G2
RAL72C1xx	156			700	14541	93	B2-U0-G2	15097	97	B3-U0-G3
RAL72A2xx	76		4000K 80 CRI	350	9418	124	B2-U0-G2	9797	129	B2-U0-G2
RAL72B2xx	109			500	12811	118	B2-U0-G2	13325	123	B3-U0-G3
RAL72C2xx	153			700	16694	109	B2-U0-G2	17364	114	B3-U0-G3

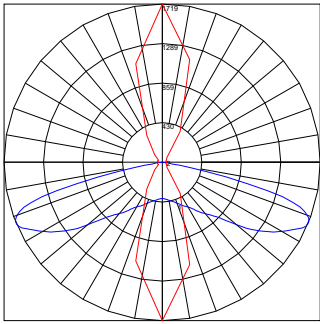
This data is subject to change.

\*Apply 0.93 multiplier for opal / diffused lens option.

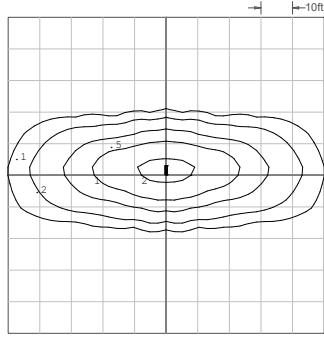
# Rama Area Light

Spec Sheet | RAL

## RAL12B2TI

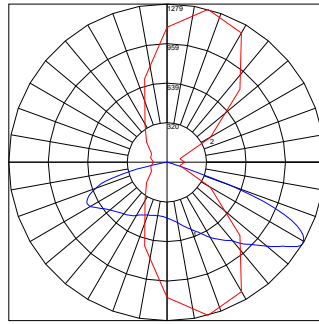


Maximum Candela=1718.94  
Located at Horizontal Angle=90,  
Vertical Angle=67

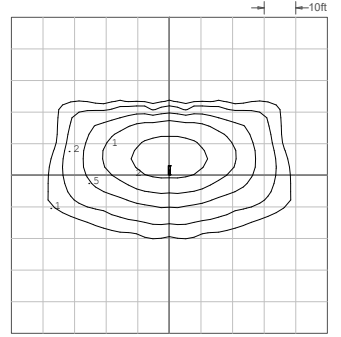


4.2m (13.8ft) pole, single luminaire depicted.

## RAL12B2TII

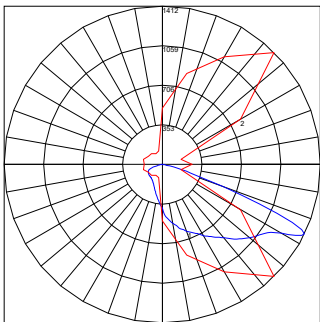


Maximum Candela=1278.64  
Located at Horizontal Angle=75,  
Vertical Angle=59

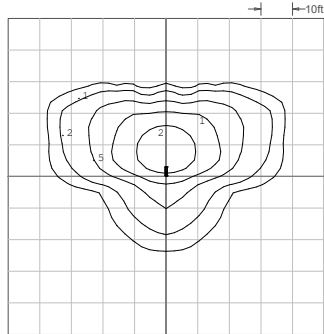


4.2m (13.8ft) pole, single luminaire depicted.

## RAL12B2TIII

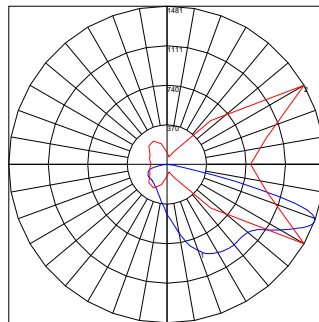


Maximum Candela=1411.5  
Located at Horizontal Angle=45,  
Vertical Angle=64

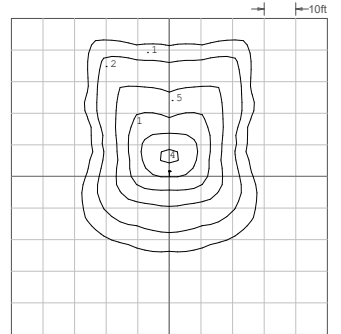


4.2m (13.8ft) pole, single luminaire depicted.

## RAL12B2TIV

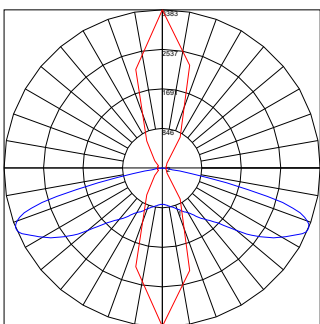


Maximum Candela=1480.85  
Located at Horizontal Angle=30,  
Vertical Angle=69

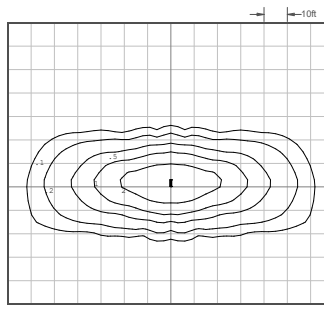


4.2m (13.8ft) pole, single luminaire depicted.

## RAL24B2TI

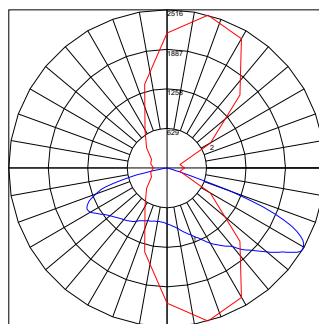


Maximum Candela=3382.95  
Located at Horizontal Angle=90,  
Vertical Angle=67

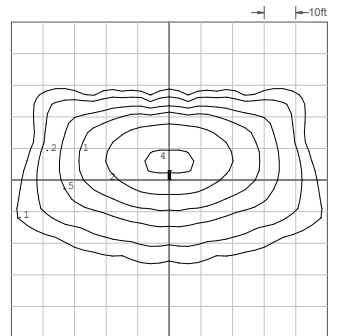


4.7m (15.4ft) pole, single luminaire depicted.

## RAL24B2TII



Maximum Candela=2516.42  
Located at Horizontal Angle=75,  
Vertical Angle=59

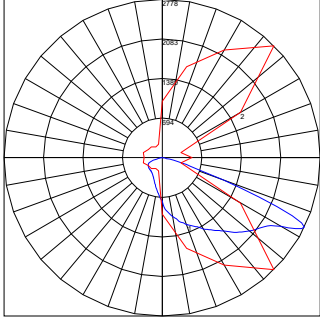


4.7m (15.4ft) pole, single luminaire depicted.

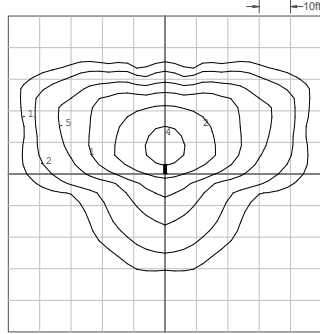
# Rama Area Light

Spec Sheet | RAL

## RAL24B2TIII

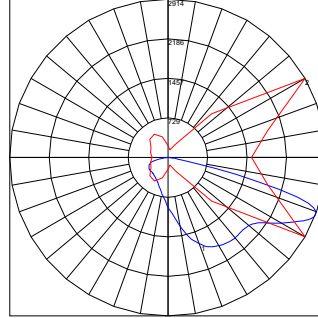


Maximum Candela=2777.89  
Located at Horizontal Angle=45,  
Vertical Angle=64

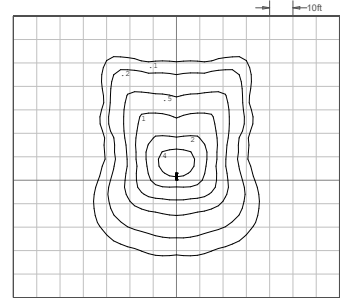


4.7m (15.4ft) pole, single luminaire depicted.

## RAL24B2TIV

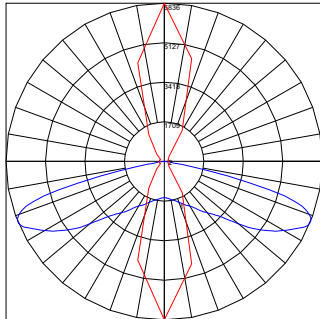


Maximum Candela=2914.38  
Located at Horizontal Angle=30,  
Vertical Angle=69

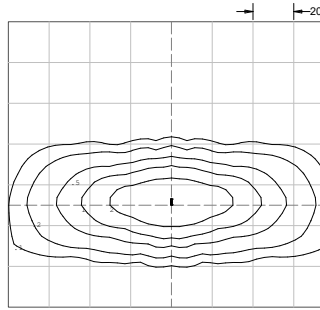


4.7m (15.4ft) pole, single luminaire depicted.

## RAL48B2TI

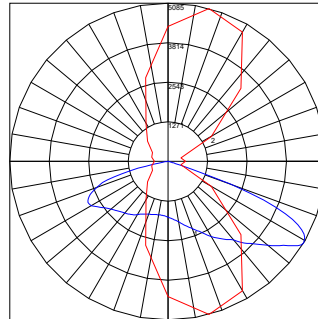


Maximum Candela=6836.02  
Located at Horizontal Angle=90,  
Vertical Angle=67

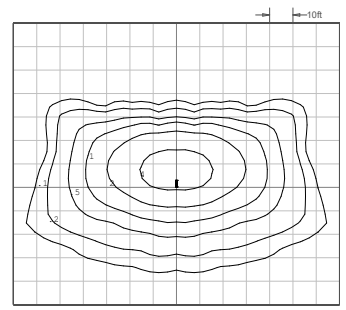


6.2m (19.7ft) pole, single luminaire depicted.

## RAL48B2TII

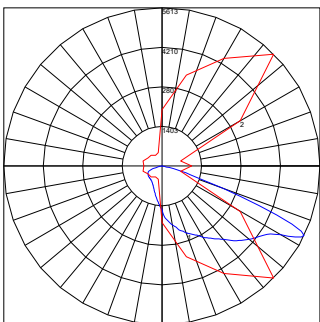


Maximum Candela=5085.01  
Located at Horizontal Angle=75,  
Vertical Angle=59

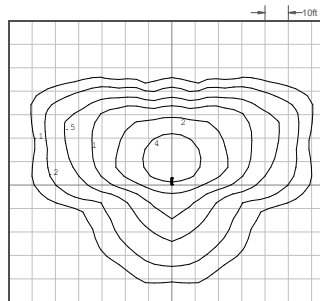


6.2m (19.7ft) pole, single luminaire depicted.

## RAL48B2TIII

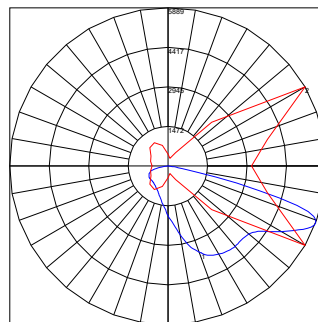


Maximum Candela=5613.36  
Located at Horizontal Angle=45,  
Vertical Angle=64

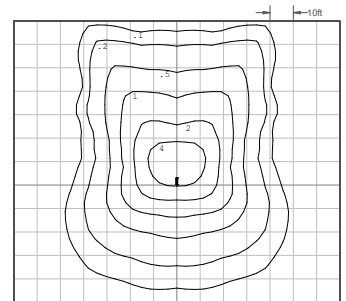


6.2m (19.7ft) pole, single luminaire depicted.

## RAL48B2TIV



Maximum Candela=5889.17  
Located at Horizontal Angle=30,  
Vertical Angle=69



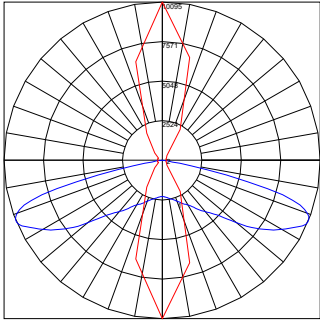
6.2m (19.7ft) pole, single luminaire depicted.

# Rama Area Light

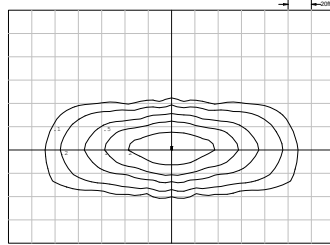
landscapeforms®

Spec Sheet | RAL

## RAL72B2TI

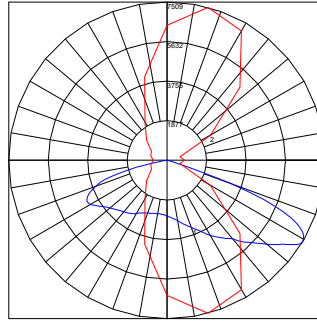


Maximum Candela=10095.2  
Located at Horizontal Angle=90,  
Vertical Angle=67

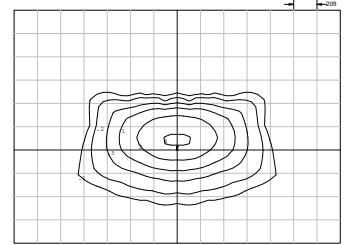


8.2m (26.9ft) pole, single luminaire depicted.

## RAL72B2TII

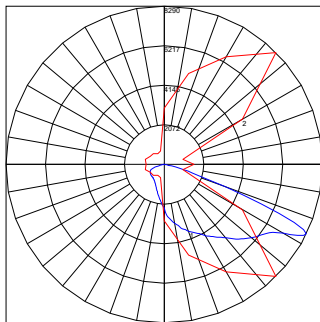


Maximum Candela=7509.37  
Located at Horizontal Angle=75,  
Vertical Angle=59

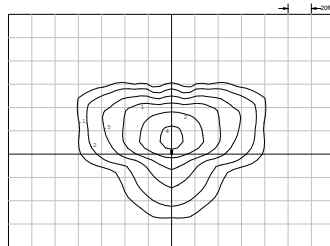


8.2m (26.9ft) pole, single luminaire depicted.

## RAL72B2TIII

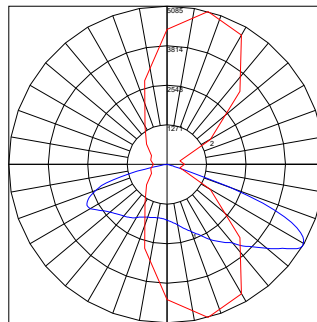


Maximum Candela=8289.62  
Located at Horizontal Angle=45,  
Vertical Angle=64

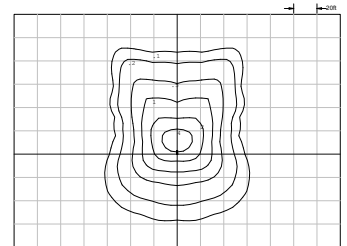


8.2m (26.9ft) pole, single luminaire depicted.

## RAL72B2TIV



Maximum Candela=5085.01  
Located at Horizontal Angle=75,  
Vertical Angle=59



8.2m (26.9ft) pole, single luminaire depicted.

# Rama Area Light

landscapeforms®

Spec Sheet | RAL

## Luminaire

Product	LED Configuration	Drive Current	Color Temperature	Distribution	Lens	Photo/Motion Sensor
RAL	12	A ( 350mA )	1 ( 3000K )	TI ( Type 1 )	Null ( Clear )	NMS ( No Motion Sensor )
	24	B ( 500mA )	2 ( 4000K )	TII ( Type 2 )	O ( Opal/ Diffused )	MS1 ( With Motion Sensor )
	48	C ( 700mA )	3 ( 2700K )	TIII ( Type 3 )		
	72			TIV ( Type 4 )		

Example: RAL - 12 - B - 1 - TII - O - MS1 - Powdercoat

## Mounting Accessories

Product	Bracket
RAA	01 ( Single Mount )
	02 ( Double Mount )
	06 ( Tenon Retrofit Mount )

Example: RAA - 01 - Powdercoat

## Pole

Height	Pole No.	Mounting	Diameter	Wall Thickness	Weight
4.5m (14.8 ft)	RAF11	(1) or (2) Luminaires at Top	Straight 5" (127mm)	0.125" (3.175mm)	43 lbs
6.0m (19.7 ft)	RAF21	(1) or (2) Luminaires at Top	Straight 5" (127mm)	0.188" (4.775mm)	72 lbs
6.0m (19.7 ft)	RAF31	(1) Luminaire at Top, (1) Luminaire at 4.3m (14.1 ft)	Straight 5" (127mm)	0.188" (4.775mm)	72 lbs
8.0m (26.2 ft)	RAF51	(1) or (2) Luminaires at Top	Stepped 6" (177.8mm) / 5" (127mm)	0.125" (3.175mm)	128 lbs
8.0m (26.2 ft)	RAF62	(1) Luminaire at Top, (1) Luminaire at 4.3m (14.1 ft)	Stepped 6" (177.8mm) / 5" (127mm)	0.125" (3.175mm)	128 lbs
8.0m (26.2 ft)	RAF71	(5) Luminaires in Spiral Configuration	Stepped 6" (177.8mm) / 5" (127mm)	0.125" (3.175mm)	128 lbs
9.0m (29.5 ft)	RAF81	(1) or (2) Luminaires at Top	Stepped 7" (177.8mm) / 5" (127mm)	0.125" (3.175mm)	142 lbs
9.0m (29.5 ft)	RAF83	(1) Luminaire at Top, (1) Luminaire at 4.4m (14.4 ft)	Stepped 7" (177.8mm) / 5" (127mm)	0.125" (3.175mm)	142 lbs
9.0m (29.5 ft)	RAF85	(1) Luminaire at Top, (1) Luminaire at 5.6m (18.4 ft)	Stepped 7" (177.8mm) / 5" (127mm)	0.125" (3.175mm)	142 lbs
9.0m (29.5 ft)	RAF86	(5) Luminaires in Spiral Configuration	Stepped 7" (177.8mm) / 5" (127mm)	0.125" (3.175mm)	142 lbs

## Control Options

Twist Lock Receptacle
T

Example: RAF54- T - Powdercoat



# Rama Area Light

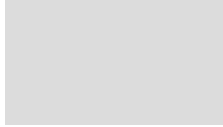
landscapeforms®

## Material / Colors Sheet

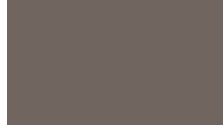
### Neutral Series - Powdercoated Metal\* (Poles Only)\*\*



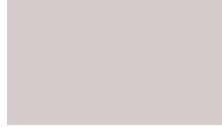
BLK (Gloss Black)



SIL (Silver Metallic)



TNM (Titanium Metallic)



MER (Mercury Metallic)\*\*

### Architectural Series - Powdercoated Metal\* (Fine Texture, Poles Only)\*\*



MBK (Matte Black)



DSK (Dusk)

### Luminaire and Mounting Brackets\*



ALS (Aluminum Silver)



DSK (Dusk)

### Powdercoated Metal

Urbidermis luminaire and mounting brackets are powdercoated using a thermal coating finish with C3 anti-corrosive protection.

Urbidermis luminaire and mounting brackets, in addition to the poles, can be specified with Landscape Forms' Powdercoated Metal Pangard II® Polyester Powdercoat.

The Powdercoated Metal Pangard II® Polyester Powdercoat is a hard, yet flexible, finish that resists rusting, chipping, peeling and fading. In addition to colors shown, a wide selection of optional and custom colors may be specified for an upcharge.

\* Luminaire and mounting brackets colors shown are the color options offered from Urbidermis.

\*\* All colors and patterns shown are approximate and may vary from sample and final.

\*\*\* Mercury from Landscape Forms is our recommended color match for Aluminum Silver from Urbidermis Santa & Cole.

Visit [landscapeforms.com](https://landscapeforms.com) for more information. Specifications are subject to change without notice. Landscape Forms supports the Landscape Architecture Foundation at the Second Century level. ©2023 Landscape Forms, Inc.

[landscapeforms.com](https://landscapeforms.com) | [specify@landscapeforms.com](mailto:specify@landscapeforms.com)