

Instructions

Assembly
Installation
Operation

7/2007

Presidio Litter Receptacle – Freestanding/Surface Mount

Product Components:

Top or side opening receptacle, fully assembled

Recommended Procedure for Mounting to Hard-Surfacing:

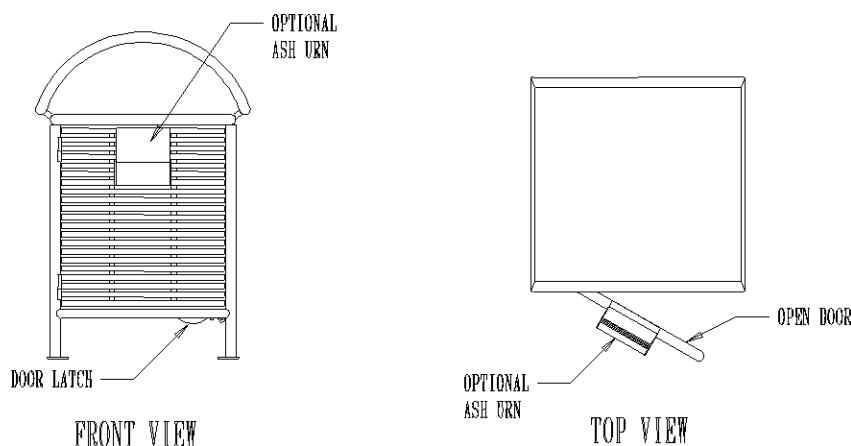
1. Place unit in desired position.
2. Mark hole location through anchor tab holes. Move unit to allow access for drilling holes.
3. Drill holes at marked position for appropriate anchors.
4. Anchoring procedure and hardware is the responsibility of the installer. Field conditions are beyond the scope of these installation instructions. A minimum 3/8-16 thread size anchor and minimum 2½” embedded depth are basic recommendations for concrete, however type and condition of anchoring surface ultimately determines type and length of anchor. Non-corrosive anchors are recommended.
5. If using expansion stud or sleeve type anchors, enough exposed thread is required to go through anchoring tab, washer and hex nut. Place unit in position, install washer and hex nut. Care must be taken to prevent scratching finish.

Installing Optional Ash Urn:

1. Open door of unit by lifting latch with toe.
2. Hook top edge of ash urn over top rod of receptacle in the center of the door panel.
3. Close door to secure ash urn in place.

To Empty Litter Receptacle:

1. Lift door latch with toe and swing door open.
2. Slide polyethylene liner out, remove and replace trash bag.
3. Slide polyethylene liner back into unit and close door firmly to latch.



ASSEMBLE WITH CARE! Pangard II® Polyester Powdercoat is a strong, long-lasting finish. To protect this finish during assembly, place unwrapped powdercoated parts on packaging foam or other non-abrasive surface. Do not place or slide powdercoated parts on concrete or other hard or abrasive surfaces – this will damage the finish causing rust to occur. Use touch-up paint to repair any finish abrasions.

landscapeforms®

Page 1 of 1