

Hinged lid receptacle

Tools Required

- Safety glasses
- Surface mounting hinged-lid receptacle:
- (2) non-corrosive anchors, maximum 3/8" diameter (not included)

PROCEDURE FOR INSTALLATION:

FOR HINGED LID FREESTANDING LITTER RECEPTACLE:

Unit ships fully assembled and can be set in place.

FOR SURFACE MOUNT LITTER RECEPTACLE:

NOTE: It is not recommended to locate holes for anchoring until unit is on site.

1. Place the unit in the desired position. Lift lid and remove liner.
2. Mark anchor locations through the holes in the anchor plates.
3. Move the unit to allow access for drilling holes.
4. Drill holes at marked locations according to anchor manufacturer's specification.
5. Complete the anchor installation according to the anchor manufacturer's instructions.

TO OPEN UNIT:

Hinged lid: See Fig. 1. A plastic putty knife with a minimum 3-1/2" blade may be also be used to push down on the lever by sliding it in the gap between the lid and the body near the hinge.

ASSEMBLE WITH CARE! Pangard II® Polyester Powdercoat is a strong, long-lasting finish. To protect this finish during assembly, place unwrapped powdercoated parts on packaging foam or other non-marring surface. Do not place or slide powdercoated parts on concrete or other hard or textured surface – this will damage the finish causing rust to occur. Use touch-up paint on any gouges in the finish caused by assembly tools.

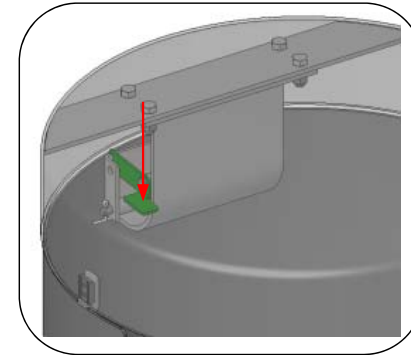


Fig. 1 – Hinged lid latch

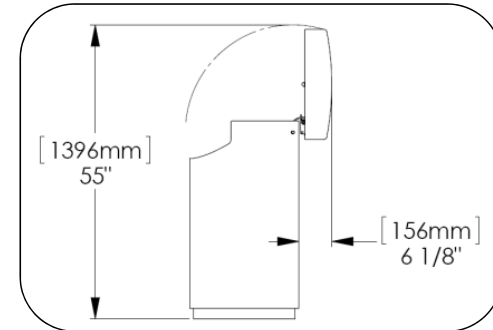


Fig. 2 – Hinged lid clearances

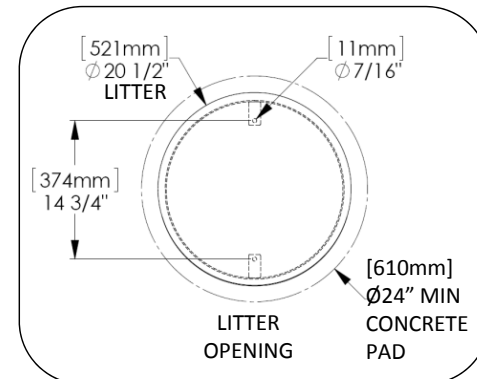


Fig. 3 - Hinged lid receptacle anchor tabs