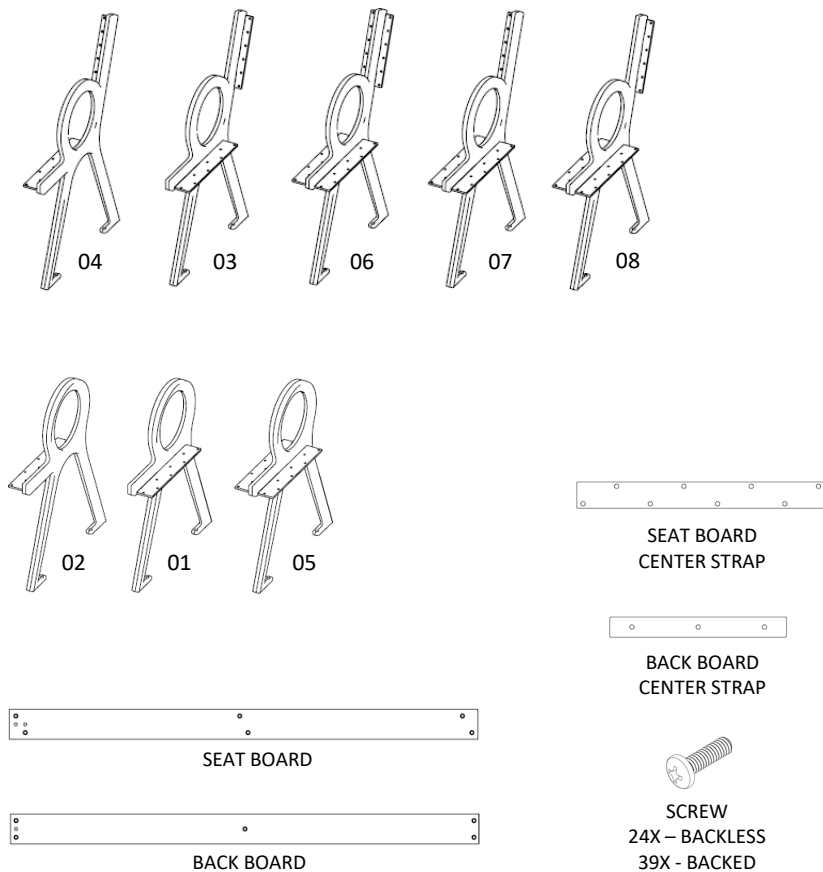


Included components



Tools Required

- Phillips screw driver
- Protective padding

For surface mount option:

- (2) anchors per support, max 3/8" dia, non-corrosive

ASSEMBLE WITH CARE! Pangard II® Polyester Powdercoat is a strong, long-lasting finish. To protect this finish during assembly, place unwrapped powdercoated parts on packaging foam or other non-marring surface. Do not place or slide powdercoated parts on concrete or other hard or textured surface – this will damage the finish causing rust to occur. Use touch-up paint on any gouges in the finish caused by assembly tools.

INSTALLATION PROCEDURE:

Bench ships unassembled. Refer to Fig. 1 for support locations. Each support is designated with a number on the seat board mounting bracket. Fully assemble bench before marking holes for optional anchoring. Left and right designations are determined from a seated position. See Fig. 2 for orientation of backless bench.

BENCH ASSEMBLY:

Note: Seat boards and back boards have different hole patterns. All boards are pre-drilled with threaded inserts for attaching to supports. For single section benches, the unit can be assembled tipped down on protective padding and then rotated up into position.

1. Group seat boards (4 per section) and back boards (3 per section, if specified).
2. Starting with an end section, attach boards to support, see Fig. 3. Datum holes on boards should be aligned to one side, see Fig. 5 and Fig. 6.
3. Attach center straps, see Fig. 4.
4. Repeat for remaining sections of bench.

FOR SURFACE MOUNT:

Note: Glides remain installed on support when bench is surface mounted.

1. Set unit in position and mark hole locations, see Fig. 7 and Fig. 8.
2. Move unit and drill holes according to anchor manufacturer's recommendations.
3. Clear holes of debris.
4. Move unit into position and install anchors.

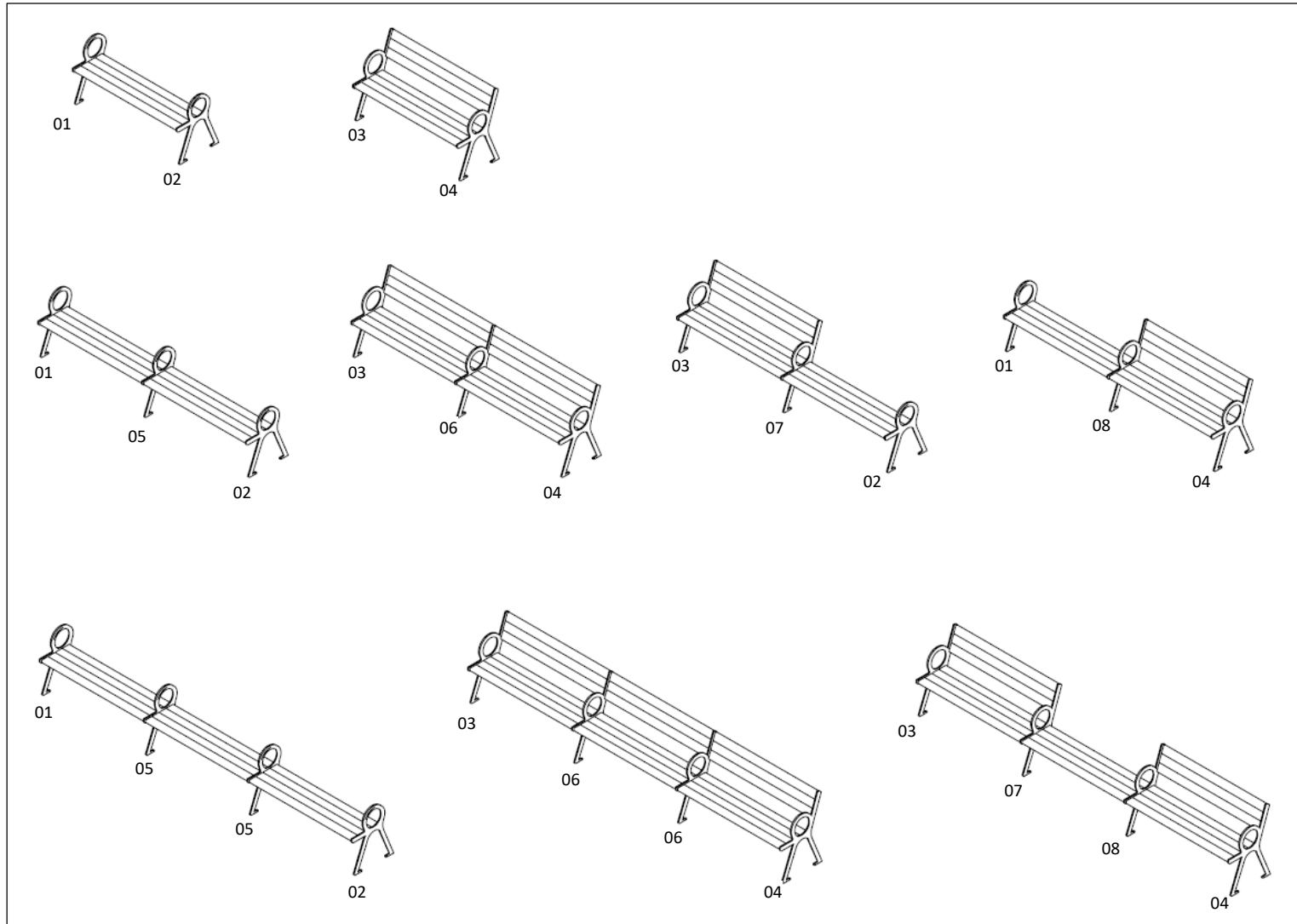


Fig. 1 – support locations

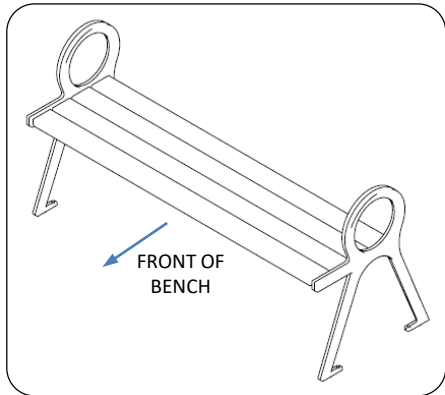


Fig. 2 – backless bench orientation

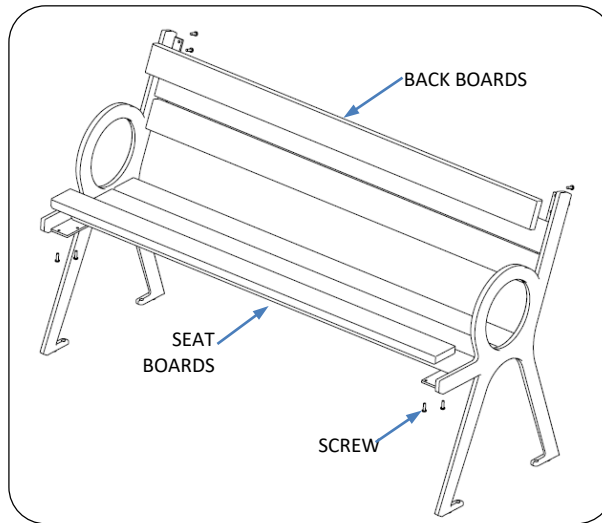


Fig. 3 – install boards

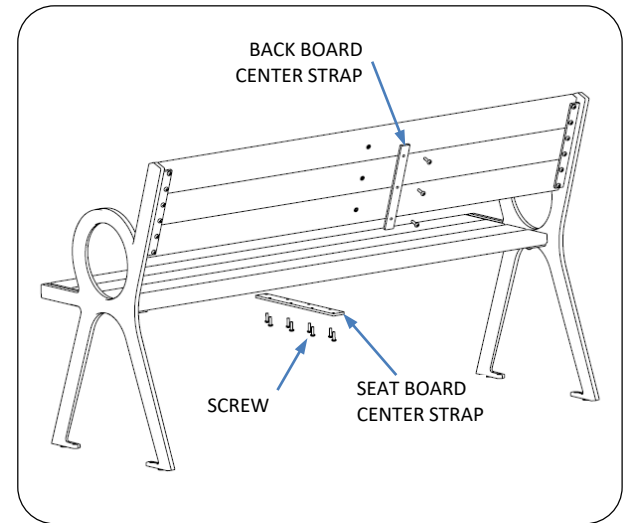


Fig. 4 – install center straps

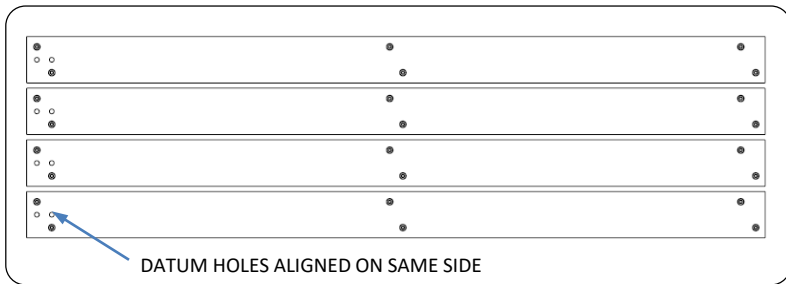


Fig. 5 – seat board alignment



Fig. 6 – back board alignment

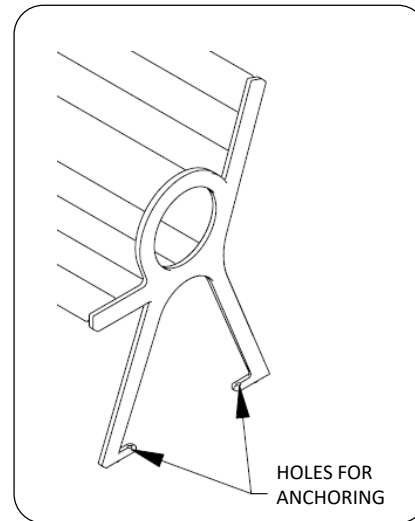


Fig. 7 – anchor hole location

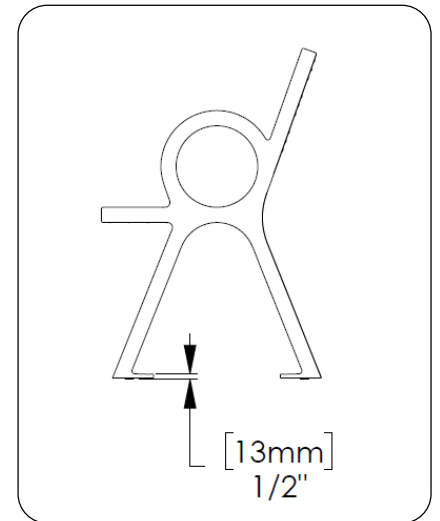


Fig. 8 – support thickness