

Included components:

- Bench ships fully assembled.

Tools Required for Surface Mount:

- Safety glasses
- (4) Non-corrosive anchors, max 3/8" dia.

PROCEDURE FOR INSTALLATION:

1. Prepare proper concrete slab as required.
2. Freestanding bench ships with glides installed. Bench can be set in place.

Note: DO NOT DRAG bench across concrete or other rough surfaces. This could damage the powdercoat finish.

For SURFACE MOUNT bench:

1. Set bench in place and mark hole locations.
2. Move bench and drill holes according to anchor manufacturer's recommendations.
3. Set bench back in position and install anchors.

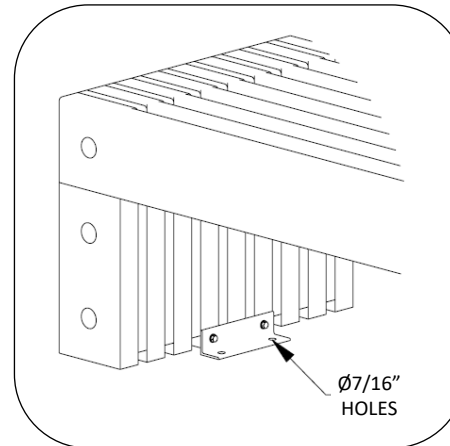


Fig. 1 – Surface mount plate detail

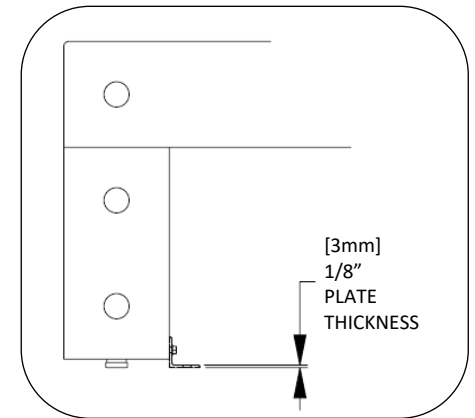


Fig. 2 – Anchor plate thickness

ASSEMBLE WITH CARE! Pangard II® Polyester Powder coat is a strong, long-lasting finish. To protect this finish during assembly, place unwrapped powder coated parts on packaging foam or other non-marring surface. Do not place or slide powder coated parts on concrete or other hard or textured surface – this will damage the finish causing rust to occur. Use touch-up paint on any gouges in the finish caused by assembly tools.