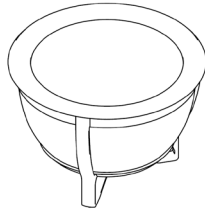


Small planter



Large planter

Tools Required

- Unit ships assembled

Planter Size	Capacity
Small, 30in dia x 19in ht	25.7 gallons (3.4 ft ³)
Large, 36in dia x 25in ht	52.2 Gallons (7 ft ³)

DRILL HOLES IN LINER:

Holes may be drilled in the liner for drainage, irrigation, or electrical installation. The liner is intended to remain installed during drilling. Care must be taken to avoid damaging the powdercoated framework of the planter.

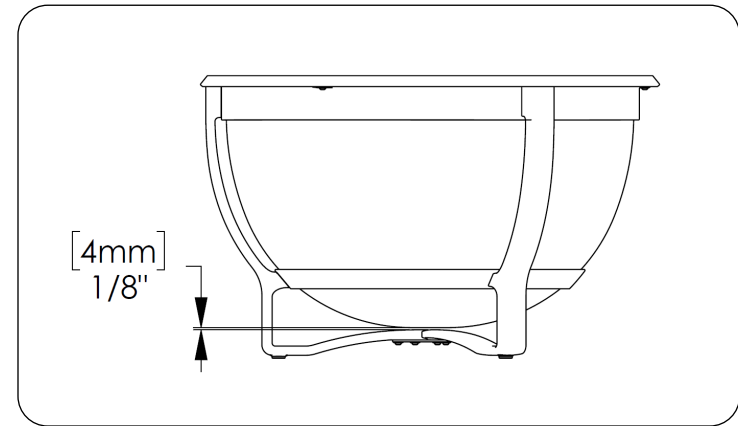


Fig. 1. – Liner and frame gap

ASSEMBLE WITH CARE! Pangard II® Polyester Powdercoat is a strong, long-lasting finish. To protect this finish during assembly, place unwrapped powdercoated parts on packaging foam or other non-marring surface. Do not place or slide powdercoated parts on concrete or other hard or textured surface – this will damage the finish causing rust to occur. Use touch-up paint on any gouges in the finish caused by assembly tools.