

MultipliCITY™ Path Light

landscapeforms®

Product Data Sheet



The MultipliCITY path light shares the graceful visual vocabulary of the collection in which robust verticals end in winged forms. The energy-saving path lights are offered in a hardwired version. It is a great solution for path lighting applications and can be specified with type 4 or type 5 light distribution. MultipliCITY offers distinctive solutions for path making and wayfinding in outdoor environments.

General Description

- Cast aluminum LED cartridge and structure
- Stainless steel base plate
- Surface or embedded mounting option
- UL Listed, suitable for wet locations

Electrical

The hardwired path light is surge protected 100V-277V 50/60 Hz, with a class 2 driver. The LED cartridge with weatherproof quick disconnect provides ease of installation and serviceability. MultipliCITY ships prewired.

MultipliCITY™ Path Light

Type 4 or Type 5 Distribution

Housing: Cast aluminum

CCT: 2700K, 3000K, 3500K, 4000K

Diffuser: Diffused Acrylite®

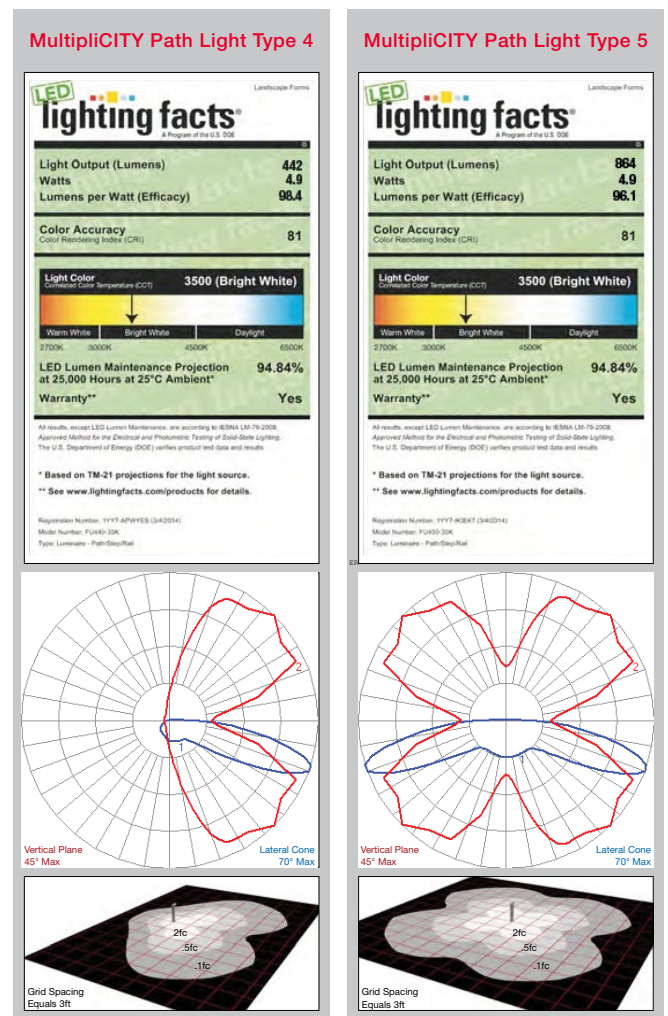
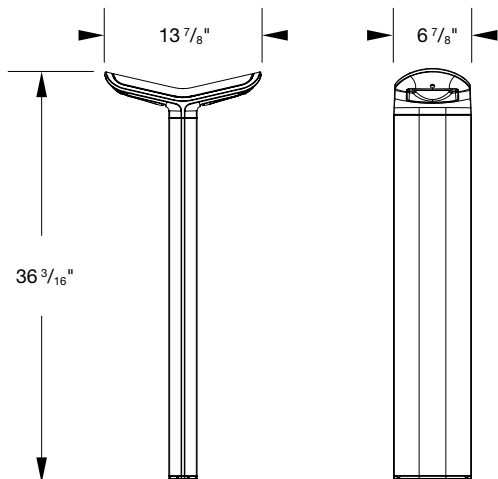
Drive Current: 250mA (T4), 500mA (T5)

Optic: Khatod Collimators

Driver: 7W (T4), 20W (T5)

BUG Rating: B0-U2-G1 (T4) or B1-U2-G1 (T5)

IP Rating: IP67 for LED cartridge Weight: 22 lbs



MultipliCITY™ Path Light

landscapeforms®

Product Data Sheet



To Order MultipliCITY™ Path Light

Specify in order: Product, Lamp, Drive Current, Color Temperature, Input Voltage and Mounting Option.

Product	Lamp	Drive Current	Color Temp.	Input Voltage	Mounting
FU MultipliCITY	440L4 (6 LED Type 4)	025F (250mA)	40K (4000K) 35K (3500K)	UV1 (100-277VAC)	EM (Embedded)
	450L5 (12 LED Type 5)	050F (500mA)	30K (3000K) 27K (2700K)		SM (Surface Mount)

Example: FU - 450L5 - 050F - 35K - UV1 - EM - Powdercoat Color

Finish

Available in clear anodized or powdercoat finish. Pangard II® polyester powdercoat finish offered exclusively by Landscape Forms, is a 19 step program of cleaning, priming, and powdercoating that resists rusting, chipping, peeling and fading. Pangard II® contains no heavy metals is HAPs-free and has extremely low VOCs.

Product Modifications

Don't see what you are looking for? Our goal is to partner with you as the designer to manufacture solutions needed for the space you are creating. We offer the option to modify our standard product to meet certain design specifications or needs. Contact your local Landscape Forms representative to learn more about these offerings.

Warranty

LED lighting products are warranted for six years.

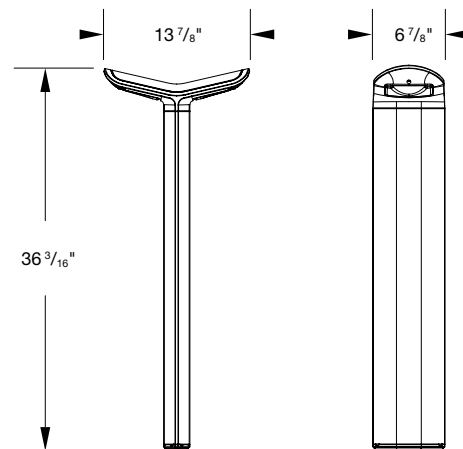
Certifications

UL Listed, RoHS Compliant, Next Generation Luminaires



Designed by Yves Béhar and fuseproject

[Click here](#) for patent information related to this product.



Visit landscapeforms.com for more information. Specifications are subject to change without notice. Landscape Forms supports the Landscape Architecture Foundation at the Second Century level.
©2022 Landscape Forms, Inc. Printed in U.S.A.

landscapeforms.com | specify@landscapeforms.com