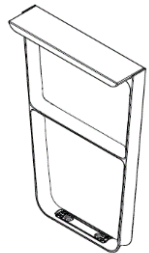
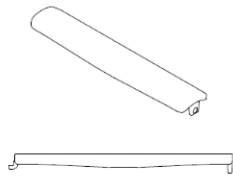


Bike rack

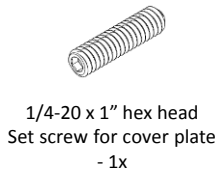
Included components:



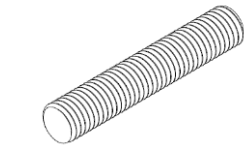
Bike rack frame  
- 1x



Cover plate  
-1x



1/4-20 x 1" hex head  
Set screw for cover plate  
- 1x



5/8-11 x 3-1/2"  
Threaded rods for embedding  
-2x

Tools required for assembly

- Safety glasses
- 5/16" hex key for leveling the unit
- 1/8" hex key for the cover plate
- Hammer drill with masonry bits

*For embedded mount option:*

- Anchoring adhesive (Powers Fasteners AC100 Plus™, Hilti™ HIT RE 500 or equivalent)

*For surface mount option:*

- Stainless steel anchoring hardware, (2) required per unit (not included).  
 1/2" dia bolt recommended, see Fig. 2 for bike frame dimensions.

**ASSEMBLE WITH CARE!** Pangard II® Polyester Powdercoat is a strong, long-lasting finish. To protect this finish during assembly, place unwrapped powdercoated parts on packaging foam or other non-marring surface. Do not place or slide powdercoated parts on concrete or other hard or textured surface – this will damage the finish causing rust to occur. Use touch-up paint on any gouges in the finish caused by assembly tools.

INSTALLATION:

**Note:** Unit must be anchored.

1. Place bike rack in position. Remove cover plate.
2. Using 5/16" hex key, adjust leveling glides until unit is plumb.
3. Mark hole locations. See Fig. 4 for spacing recommendations.
4. Move bike rack and drill holes. Clear debris from holes using compressed air.

*For embedded mount:*

1. Thread anchor rods with thread patch into bike rack as shown in Fig. 1.
2. Test fit unit to be sure that anchor rods are not resting on the bottom of the drilled holes.
3. Remove unit. Fill holes with adhesive to level recommended by adhesive manufacturer.
4. Slowly set unit into place. Wipe away excess adhesive.
5. After adhesive has fully cured to manufacturer's recommendation, turn all four leveling glides equally until tight to remove any excess movement of the bike rack.

*For surface mount:*

1. Set unit in place.
2. Install anchor bolts (not supplied by Landscape Forms) according to anchor manufacturer's recommendations.
3. Turn all four leveling glides equally until tight to remove any excess movement of the bike rack.

*To install cover plate:*

1. Insert tab end into casting frame, see Fig. 3.
2. Using 1/8" hex key, install 1/4-20 set screw in opposite end of cover plate, through the casting frame, see Fig. 3.
3. Tighten set screw until cover plate is secure. Do not overtighten the set screw, which can cause the cover plate to deform.

**ASSEMBLE WITH CARE!** Pangard II® Polyester Powdercoat is a strong, long-lasting finish. To protect this finish during assembly, place unwrapped powdercoated parts on packaging foam or other non-marring surface. Do not place or slide powdercoated parts on concrete or other hard or textured surface – this will damage the finish causing rust to occur. Use touch-up paint on any gouges in the finish caused by assembly tools.

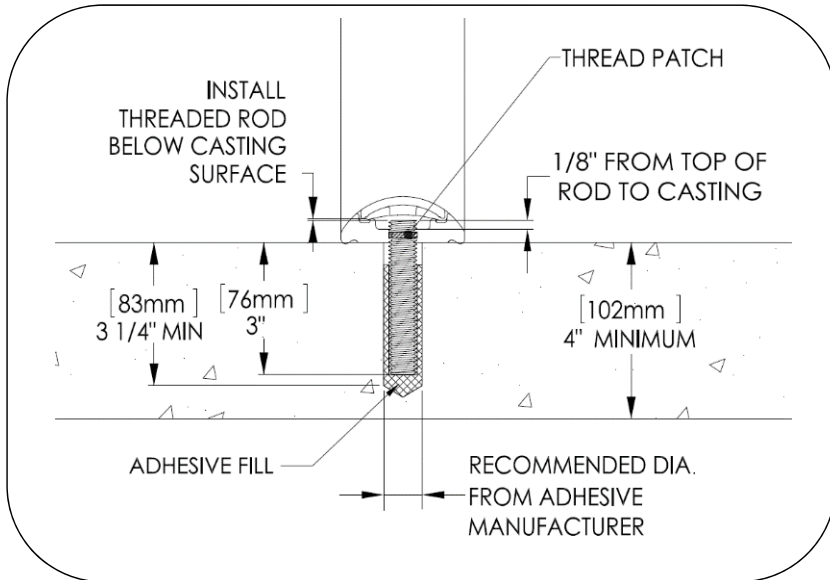


Fig. 1 – install threaded rods for embedded mount

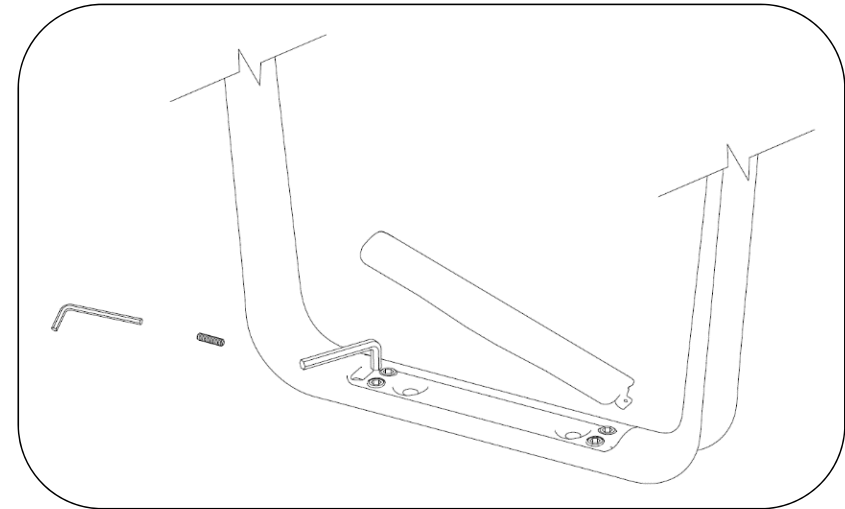


Fig. 3 – install cover plate

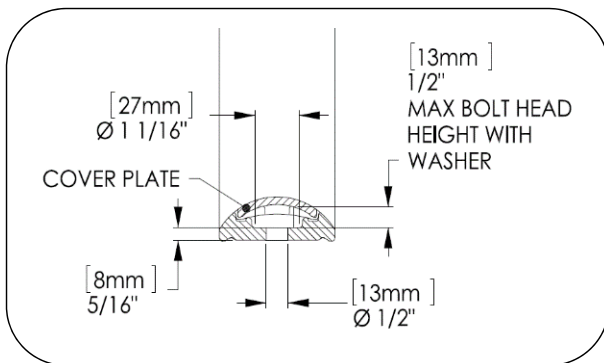


Fig. 2 – casting dimensions for surface mount anchor clearance

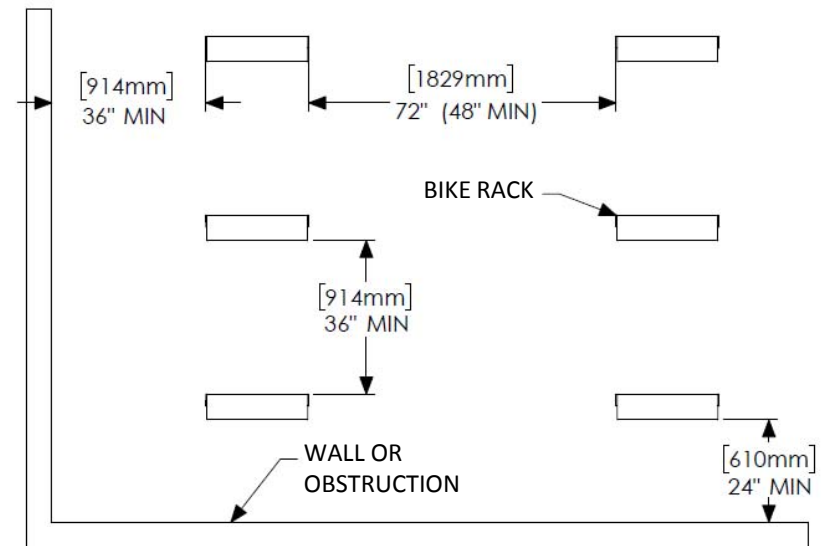


Fig. 4 – Recommended spacing, according to Association of Pedestrian and Bicycle Professionals (APBP)