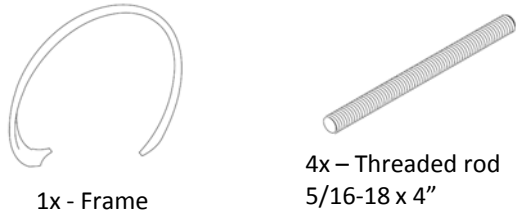


Included components



Tools Required

- Unit ships assembled
- Hammer drill with Ø7/16 masonry bits
- For embedded mount option: chemical anchoring adhesive (Hilti HIT RE 500 or equivalent)

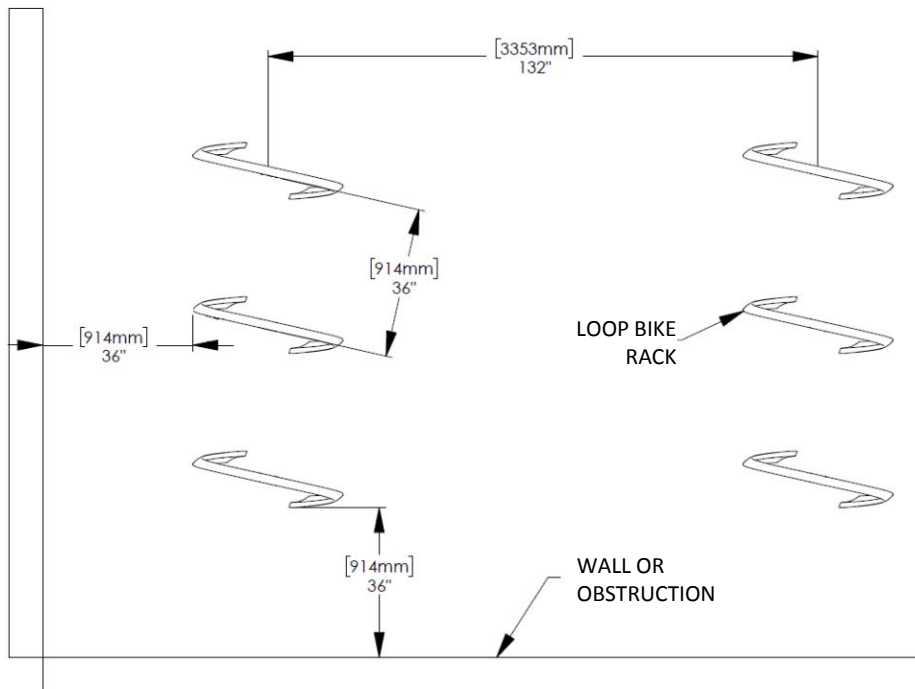


Fig. 1. - Recommended spacing, according to Association of Pedestrian and Bicycle Professionals (APBP)

ASSEMBLE WITH CARE! Pangard II® Polyester Powdercoat is a strong, long-lasting finish. To protect this finish during assembly, place unwrapped powdercoated parts on packaging foam or other non-marring surface. Do not place or slide powdercoated parts on concrete or other hard or textured surface – this will damage the finish causing rust to occur. Use touch-up paint on any gouges in the finish caused by assembly tools.

WARNING! Unit must be anchored.

FOR EMBEDDED MOUNT:

1. Thread anchor rods into bike rack. Verify that threaded rods are fully threaded into casting.
2. Set unit in position and mark hole locations.
3. Move unit. Drill holes according to Fig. 2.
4. Clear holes of debris using compressed air and wire brush.
5. Test fit unit in position to be sure threaded rods are not resting on the bottom of the drilled holes.
6. Fill holes with recommended amount of anchoring adhesive/epoxy.
7. Set unit in position.
8. Wipe away excess epoxy before it cures.

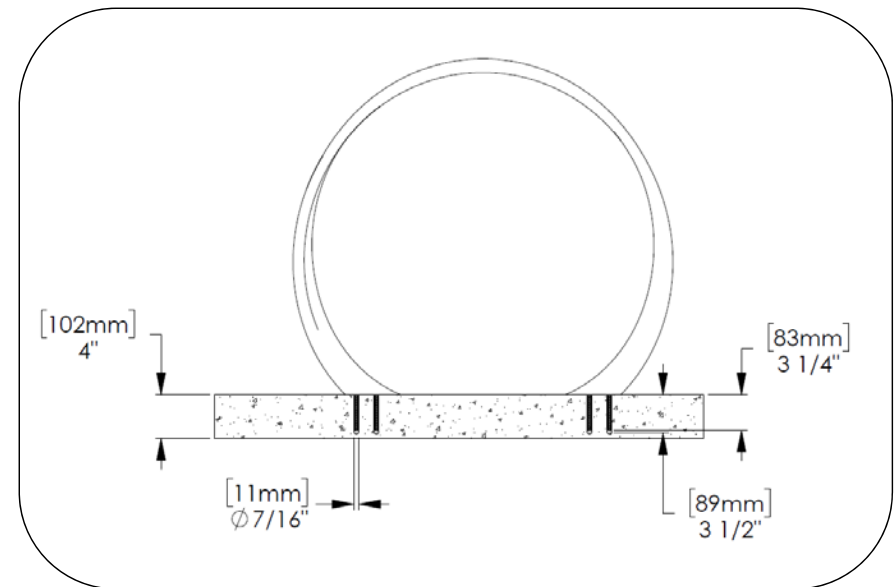


Fig. 2. – Hole size for embedded bike rack