

### Planter Sizes

Included components:

- Planters intended for exterior use should have drain holes
- Planters intended for interior use should not have drain holes
- Drain and/or irrigation holes can be added on site, before installation.

#### A. PROCEDURE FOR FREESTANDING INSTALLATION:

1. Set unit in place on level surface.
2. Fill unit with specified materials.

#### B. ADDING DRAIN, IRRIGATION OR SURFACE MOUNT HOLES:

1. Drill holes through bottom of roto-molded liner as required.

Planter Size	Capacity
36" dia x 23"h	69 Gallons (9.2 ft <sup>3</sup> )

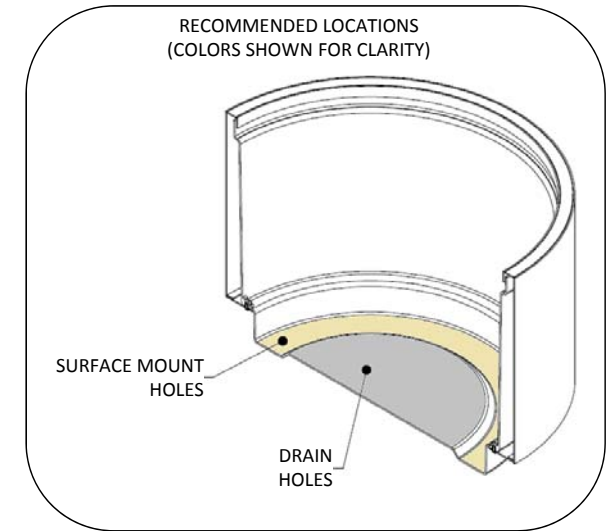


Fig 1. – drain hole and surface mount hole locations

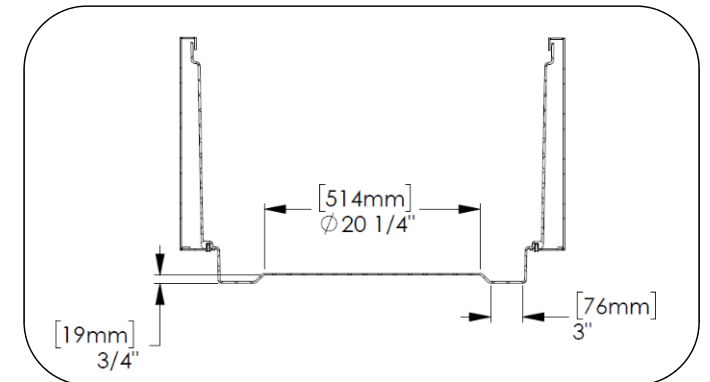


Fig 2. – section view of planter

**ASSEMBLE WITH CARE!** Pangard II® Polyester Powdercoat is a strong, long-lasting finish. To protect this finish during assembly, place unwrapped powdercoated parts on packaging foam or other non-marring surface. Do not place or slide powdercoated parts on concrete or other hard or textured surface – this will damage the finish causing rust to occur. Use touch-up paint on any gouges in the finish caused by assembly tools.