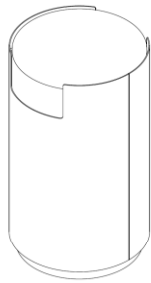


Top Opening Litter



Side Opening Litter

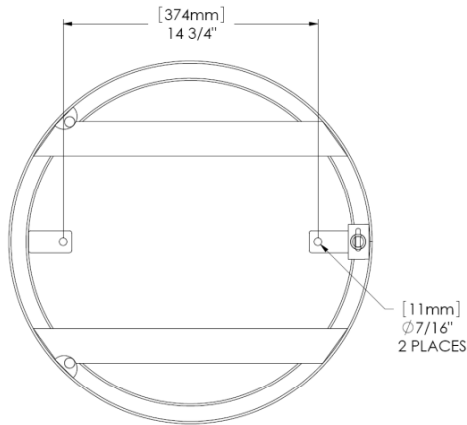
INSTALLATION:

For Surface Mount Unit:

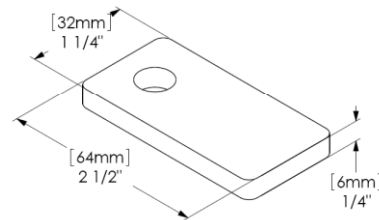
1. Place the unit in the desired position.
2. Lift lid and remove liner.
3. Mark holes and move unit.
4. Drill holes and anchor unit according to the anchor manufacturer's instruction.

Tools Required

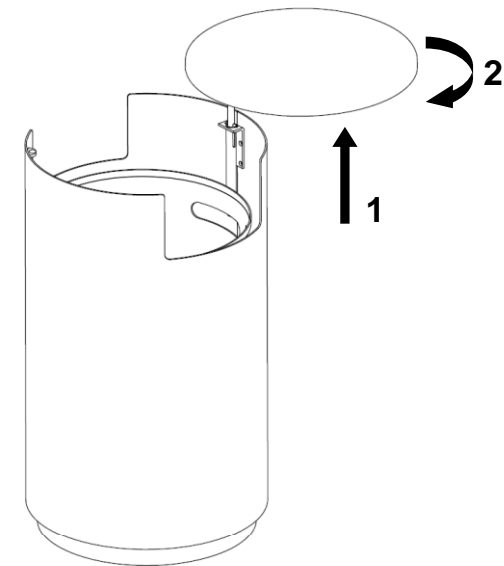
- Unit ships fully assembled. Freestanding unit can be set in place.
- Safety glasses
- For Surface Mount option – non-corrosive anchoring hardware, quantity (2) per unit, maximum $\text{Ø}3/8"$ [9mm], length determined by anchoring requirements and site conditions.



Anchor tab locations



Anchor tab detail



Liner removal

ASSEMBLE WITH CARE! Pangard II® Polyester Powdercoat is a strong, long-lasting finish. To protect this finish during assembly, place unwrapped powdercoated parts on packaging foam or other non-marring surface. Do not place or slide powdercoated parts on concrete or other hard or textured surface – this will damage the finish causing rust to occur. Use touch-up paint on any gouges in the finish caused by assembly tools.