

Jules

Jim

**INSTALLATION:**

1. Determine placement of planter.
2. Set base in position with proper equipment such as a forklift or crane. See Fig. 2.
3. Lift top of planter onto base, see Fig. 2.

Included components: base and lid

Tools required:

- Crane or forklift.
- Straps

	Jules	Jim
Weight (lbs)	2476	3007
Area of Base (in <sup>2</sup> )	522	522
Pressure (lb/in <sup>2</sup> )	4.74	5.76

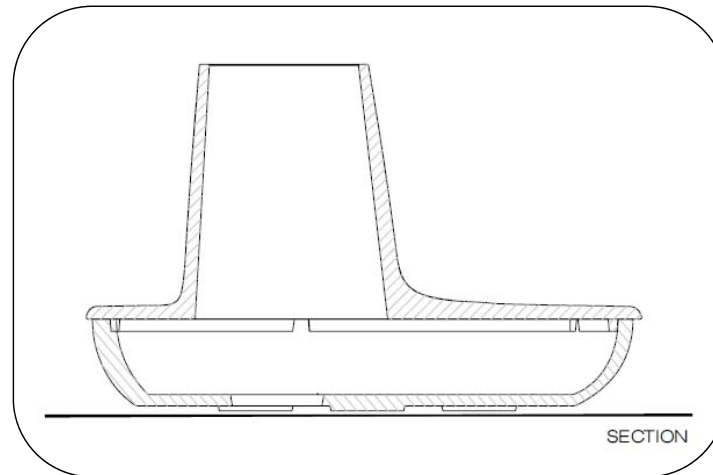


Fig. 1 – installed section view

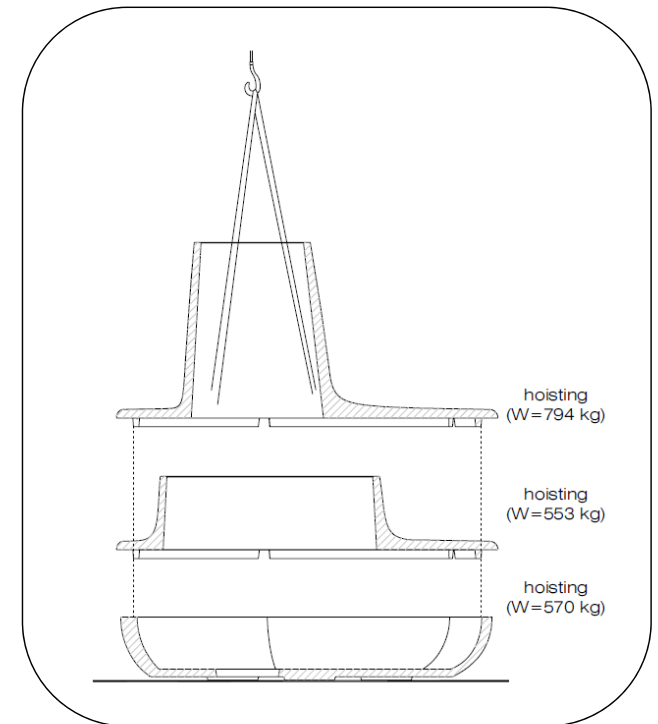


Fig. 2 – Crane install – strap locations