

Surface Mount

Included hardware



1x – Lightpole assembly



4x – Cabinet cover



1x – LED driver



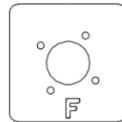
1x – Cabinet dome cover



1x – Cabinet dome retainer bar



4x – Cabinet cover screw



1x – anchor template

Tools Required

- Safety glasses
- Screwdrivers
- Wiring tools and connectors
- Anchoring hardware – (4) $\varnothing 3/8$ (maximum) x 3-1/2" length stainless steel anchors. Landscape Forms recommends Power bolts or drop-in wedge anchors
- Hammer drill
- 3/16" hex key

LIGHTING LAYOUT RECOMMENDATIONS:

Refer to the Product Data Sheet

WARNING!: LED cartridge and driver are not rated for connection or disconnection while energized. Doing so may damage LEDs and will void the warranty. Disconnect incoming power before making or breaking any electrical connections.

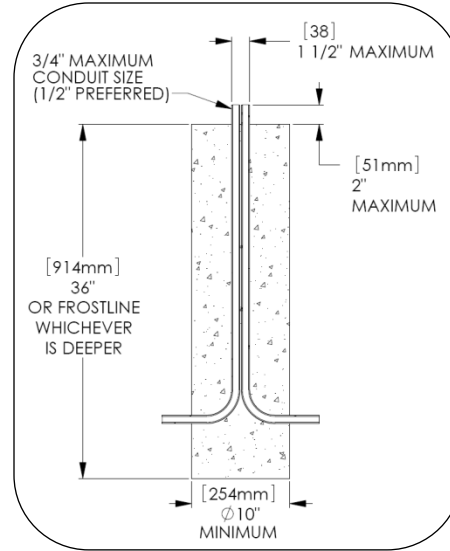


Fig. 1 – Minimum footing recommendation

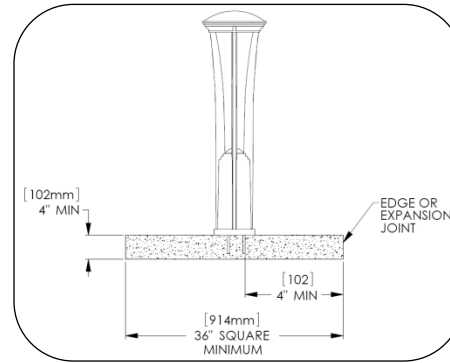


Fig. 2 – Minimum concrete slab size

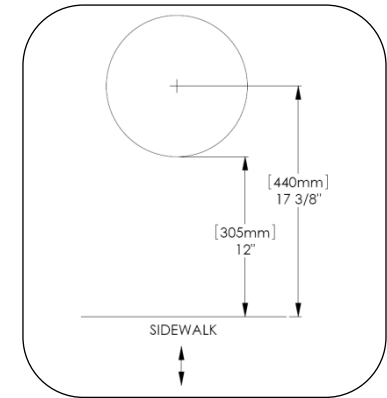


Fig. 3 – Recommended setback from sidewalk

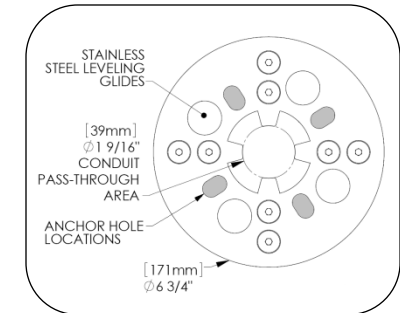


Fig. 4 – Bottom view

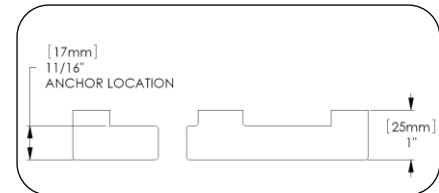


Fig. 5 – Base plate section view

ASSEMBLE WITH CARE! Pangard II® Polyester Powdercoat is a strong, long-lasting finish. To protect this finish during assembly, place unwrapped powdercoated parts on packaging foam or other non-marring surface. Do not place or slide powdercoated parts on concrete or other hard or textured surface – this will damage the finish causing rust to occur. Use touch-up paint on any gouges in the finish caused by assembly tools.

Landscape Forms is not responsible for site preparation and footings. Footing recommendations are included in these instructions.

INSTALLATION PROCEDURE FOR LIGHT POLE:

1. Prepare footing as required by local codes, see Fig. 1, Fig. 2 and Fig. 3 for recommendations.
2. Set wooden anchor template in position over conduit. 'F' on the template indicates the Front of the unit.
3. Mark four anchor hole locations and remove the template.
4. Drill holes according to anchor size and depth. Clear holes of debris.
5. Set unit in place, ensuring that base sits flat on concrete, and install anchors according to anchor manufacturer's recommendations.
6. Using 3/16" hex key, adjust leveling glides until unit is plumb.

PROCEDURE FOR INSTALLING CABINET COVERS:

1. Set retainer bar in the casting pocket.
2. Install cabinet covers as shown, ensuring bottom tab of cover rests in the groove in base casting. Repeat for remaining three covers.
3. Install cabinet dome cover by threading into the retainer bar until tight.

PROCEDURE FOR WIRING HAWTHORNE:

The Hawthorne path light is assembled at the factory. The light cartridge is mounted into the head of the pole and will not need to be removed during installation. The LED cartridge is wired to the driver(s) (located in the cabinet) at the factory.

The following schematics are to be used to connect the unit to line voltage. It is the responsibility of the installer to make sure that all connections are made in accordance with the NEC and local building codes. Connection hardware not included.

WARNING!: LED cartridge and driver are not rated for connection or disconnection while energized. Doing so may damage LEDs and will void the warranty. Disconnect incoming power before making or breaking any electrical connections.

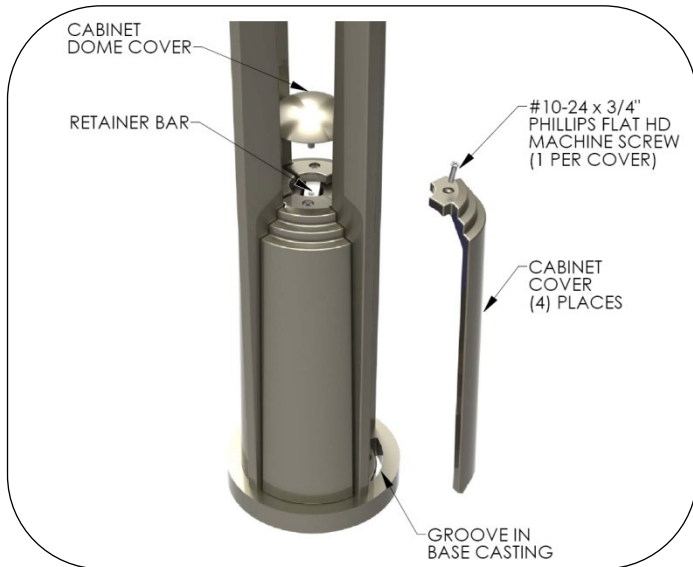


Fig. 6 – Remove access panel

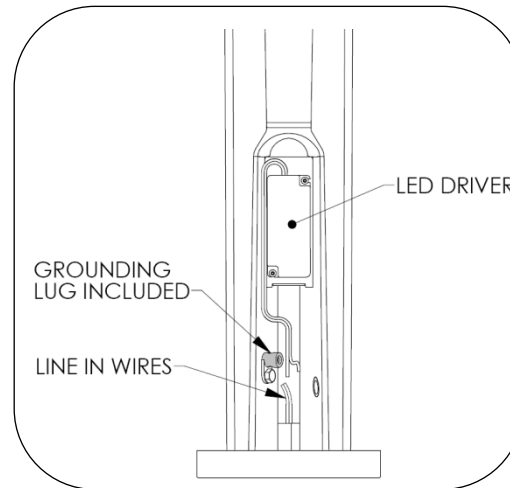


Fig. 7 – Access panel removed

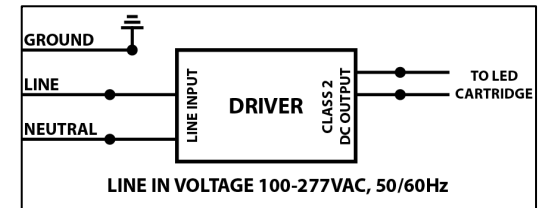


Fig. 8 – Hawthorne wiring schematic