

Included components:



4x – anchor bolts
Embedded option

Tools required:

- 6mm hex key for tightening surface mount tabs
- Hammer drill with masonry bit for surface mount or embedded
- Surface mount option: (4) non-corrosive anchors, maximum $\varnothing 3/8''$ diameter, not included

ASSEMBLE WITH CARE! Pangard II® Polyester Powdercoat is a strong, long-lasting finish. To protect this finish during assembly, place unwrapped powdercoated parts on packaging foam or other non-marring surface. Do not place or slide powdercoated parts on concrete or other hard or textured surface – this will damage the finish causing rust to occur. Use touch-up paint on any gouges in the finish caused by assembly tools.

INSTALLATION:

SURFACE MOUNT INSTALLATION:

1. Tighten surface mount tabs, if necessary, using 6mm hex key. Verify orientation of tabs is correct, see Fig. 1.
2. Set unit in position.
3. Mark hole locations.
4. Move unit to allow access for drilling holes.
5. Drill holes according to anchor manufacturer's recommendations and clear holes of debris.
6. Set unit back in position and install anchors.

EMBEDDED INSTALLATION:

Note: Each embedded bench or lounge chair is shipped with (4) M10 x 120mm threaded rods. For mounting to existing concrete. An adhesive anchoring system (Hilti HIT RE 500 or Powers Fasteners AC100 Plus™) is recommended.

1. Place bench or lounge chair upside down on non-marring material.
2. Install threaded rods in each support. See Fig. 2.
3. Place unit in position.
4. Mark hole locations by tracing around threaded rods.
5. Move unit to allow access for drilling holes.
6. Hammer drill 5/8" holes, 4-1/2" deep.
7. Clear holes of debris using 1" diameter nylon brush and compressed air. Hole must be free of standing water or ice.
8. Test fit unit to make sure threaded rods are not resting on the bottom of the holes.
9. Fill holes with adhesive, following manufacturer's instructions. Fill holes from the bottom up to avoid air pockets. Fill to a level 1" from the top of the hole.
10. Set the unit in the installed position. Do not disturb the unit during cure time.
11. Wipe away excess adhesive before it cures.

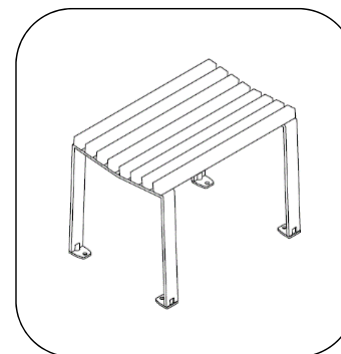


Fig. 1 – Surface mount tab orientation

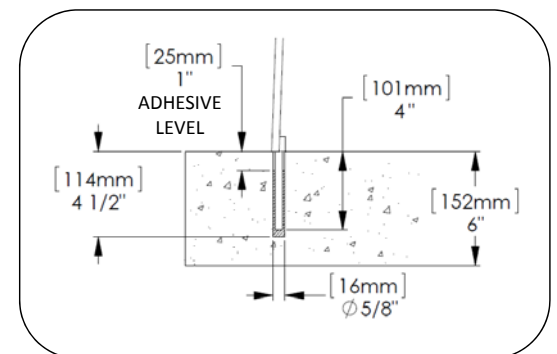


Fig. 2 – Embedded rod detail