

Tools Required

- Safety glasses
- Litter receptacle ships fully assembled. Freestanding unit can be set in place.
- Anchoring hardware for surface mount option: One anchor, 1/2" [12mm] diameter or less, is required per unit. The base adds 7/8" [22mm] to the anchor length. The roto-molded base will compress about 1/8" upon tightening of the anchor bolt. The installer is responsible for anchoring hardware suitable for site conditions. Corrosion-resistant anchors are recommended.

PROCEDURE FOR INSTALLATION:

FOR SURFACE MOUNTED LITTER RECEPTACLE:

1. Place the unit in the desired position. Open the lid to check clearance.
2. Remove the liner and mark anchor location through the hole in the base.
3. Move the unit to allow access for the drilling hole.
4. Drill hole at marked location according to anchor manufacturer's specification.
5. Complete the anchor installation according to the anchor manufacturer's instructions.

ASSEMBLE WITH CARE! Pangard II® Polyester Powdercoat is a strong, long-lasting finish. To protect this finish during assembly, place unwrapped powdercoated parts on packaging foam or other non-marring surface. Do not place or slide powdercoated parts on concrete or other hard or textured surface – this will damage the finish causing rust to occur. Use touch-up paint on any gouges in the finish caused by assembly tools.

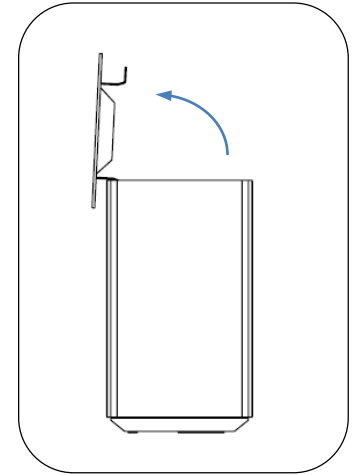


Fig. 1 – lift lid

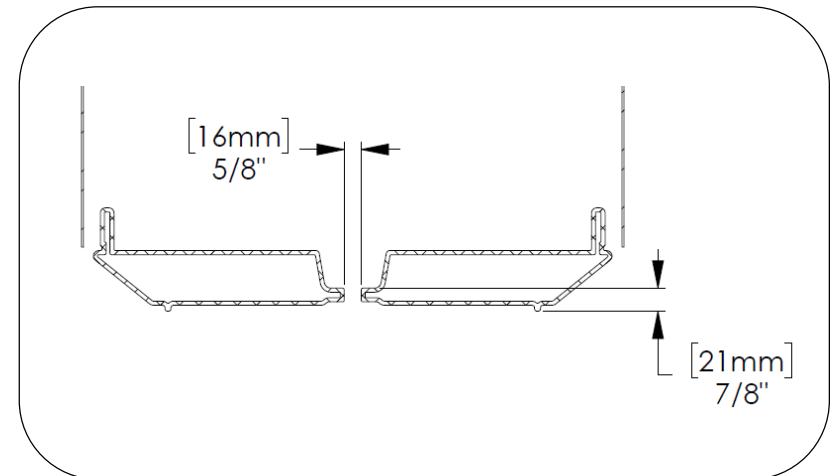


Fig. 2 – section view of base