

# FGP Area Light

landscapeforms®

## Product Data Sheet



FGP has a pleasing flower-like organic form created by three stems that rise from the connection with the pole. The soft, triangular head holds LEDs in triangular arrays that cast illumination between the verticals in a clean footprint. The area light is ideal for pedestrian spaces such as campuses, parks and plazas, helping to create public spaces that are usable 24 hours a day. LED light sources are energy efficient. Light is finished using Landscape Forms' proprietary Pangard II powdercoat finish.

### LED Technology

The area light employs solid state LED technology that provides exceptional energy efficiency and very long life. Designed to maximize this potential by managing the thermal properties of LEDs, the FGP area light's cast aluminum heatsink and housing efficiently dissipate heat. FGP uses full spectrum LED light engines that provide outstanding color rendering ability. The thermoformed integrated diffuser lens reduces glare, improving the visual experience.

### Electrical

Surge protected 100V-277V 50/60 Hz, Class 2 integrated dimmable driver. LED cartridge with weatherproof quick disconnect provides ease of installation and serviceability. FGP Pedestrian ships prewired.

### FGP Area Type 3

#### Type 3 Distribution

**Fixture:** Cast Aluminum

**CCT:** 2700K, 3000K, 3500K, 4000K

**Drive Current:** 460mA

**Optic:** LEDiL® STRATA

**Lens:** Impact Modified Acrylite®

**Power Supply:** 100V-277V

**LED Driver:** 50W

**Dimmable:** 0-10V

**BUG Rating:** B1 U2 G1

**IP Rating:** IP66

### FGP Area Type 5

#### Type 5 Distribution

**Fixture:** Cast Aluminum

**CCT:** 2700K, 3000K, 3500K, 4000K

**Drive Current:** 560mA

**Optic:** LEDiL® STRATA

**Lens:** Impact Modified Acrylite®

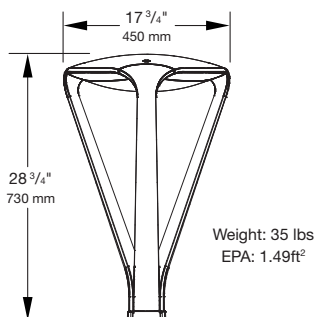
**Power Supply:** 100V-277V

**LED Driver:** 60W

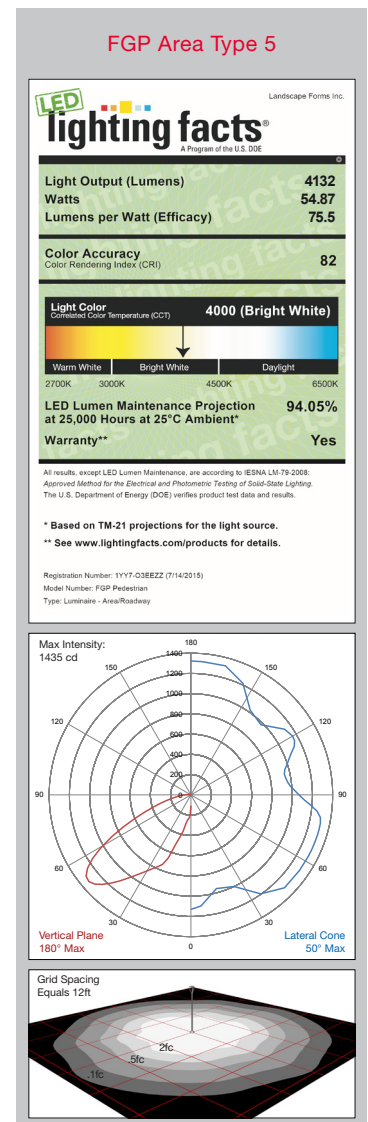
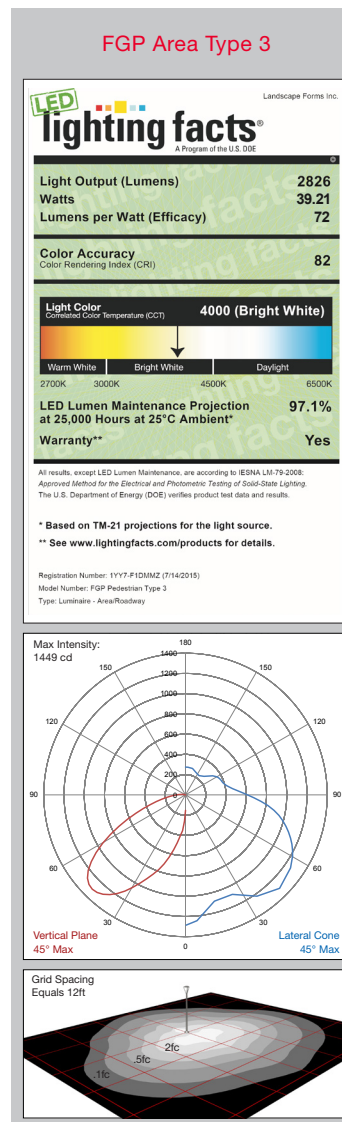
**Dimmable:** 0-10V

**BUG Rating:** B2 U2 G1

**IP Rating:** IP66



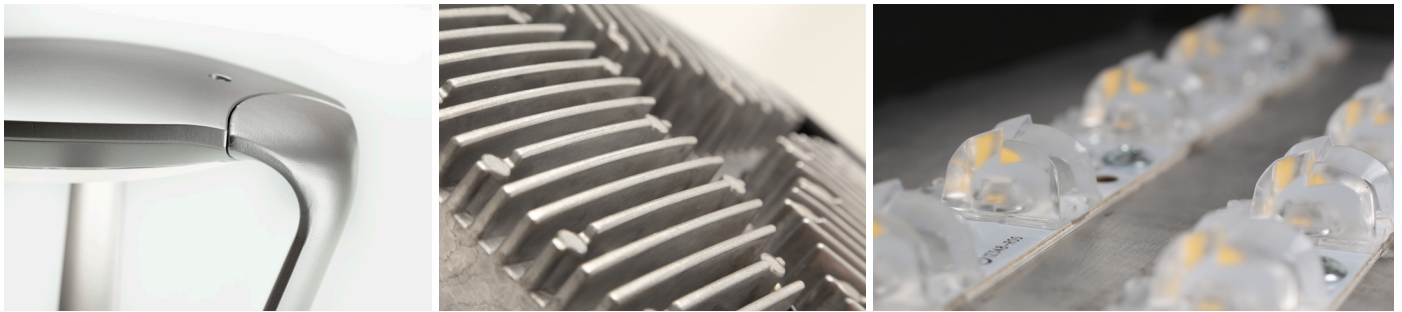
Weight: 35 lbs  
EPA: 1.49ft<sup>2</sup>



# FGP Area Light

landscapeforms®

## Product Data Sheet



### Finish

Pangard II®, offered exclusively by Landscape Forms, is a 19 step program of cleaning, priming, and powdercoating that resists rusting, chipping, peeling and fading to produce the finest metal finish available for site furniture and outdoor lighting. In addition, Pangard II® contains no heavy metals and is free of Hazardous Air Pollutants.

### To Order

Specify: Product, Lamp, Drive Current, Color Temperature, Input Voltage, Height, optional 7-pin (ANSI 136.41) Twist Lock receptacle, and Powdercoat Color.

Product	Lamp	Drive Current	Color Temp.	Input Voltage	Height	Twist Lock
AG FGP	500L3 (30 LED Type 3)	046F (460 mA)	40K (4000K)	UV1 (100-277VAC)	12 (144in)	NTW (No Twist Lock)
			35K (3500K)		14 (168in)	
	500L5 (30 LED Type 5)	056F (560 mA)	30K (3000K)		16 (192in)	TW1 (Twist Lock)
			27K (2700K)			

EXAMPLE: AG – 500L3 – 046F – 35K / UV1 – 12 – TW1 – Powdercoat Color

### Product Modifications

Don't see what you are looking for? Our goal is to partner with you as the designer to manufacture solutions needed for the space you are creating. We offer the option to modify our standard product to meet certain design specifications or needs.

Contact your local Landscape Forms representative to learn more about these offerings.

### Warranty

LED lighting products are warranted for six years.

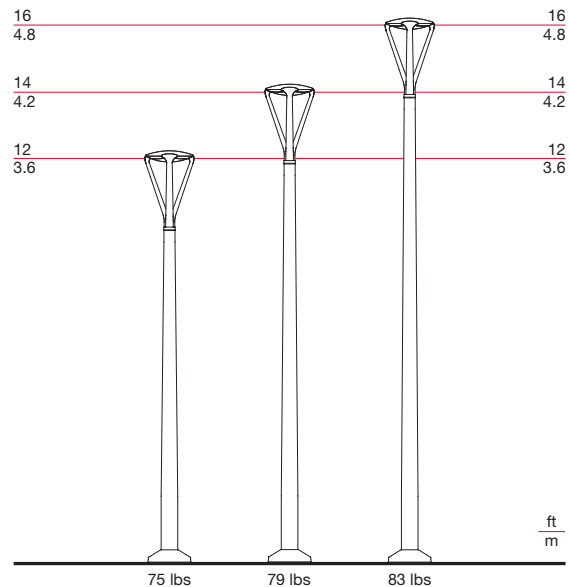
### Other

UL Listed, RoHS Compliant, Next Generation Luminaires Winner



Designed by Francisco Gomez Paz

[Click here](#) for patent information related to this product.



Visit our [landscapeforms.com](http://landscapeforms.com) for more information. Specifications are subject to change without notice. Landscape Forms supports the Landscape Architecture Foundation at the Second Century level.  
©2019 Landscape Forms, Inc. Printed in U.S.A.