

INSTALLATION:

1. Determine placement of shelter.
2. Thread anchors into base of shelter.
3. Drill $\text{Ø}40\text{mm}$ holes in concrete slab. Drill to 180mm depth.
4. Clear holes of debris using wire brush and compressed air.
5. Fill holes with epoxy according to manufacturer's recommendations.
6. Slowly set shelter in position.
7. Wipe away excess epoxy before it cures.

Included components: (2) M16 x 140mm stud bolts for anchoring

Tools required:

- Crane or forklift to move 3880 lbs.
- Wood supports or straps
- $\text{Ø}40\text{mm}$ masonry drill
- Chemical anchoring adhesive (Hilti HIT RE 500 or equivalent)
- Compressed air and wire brush

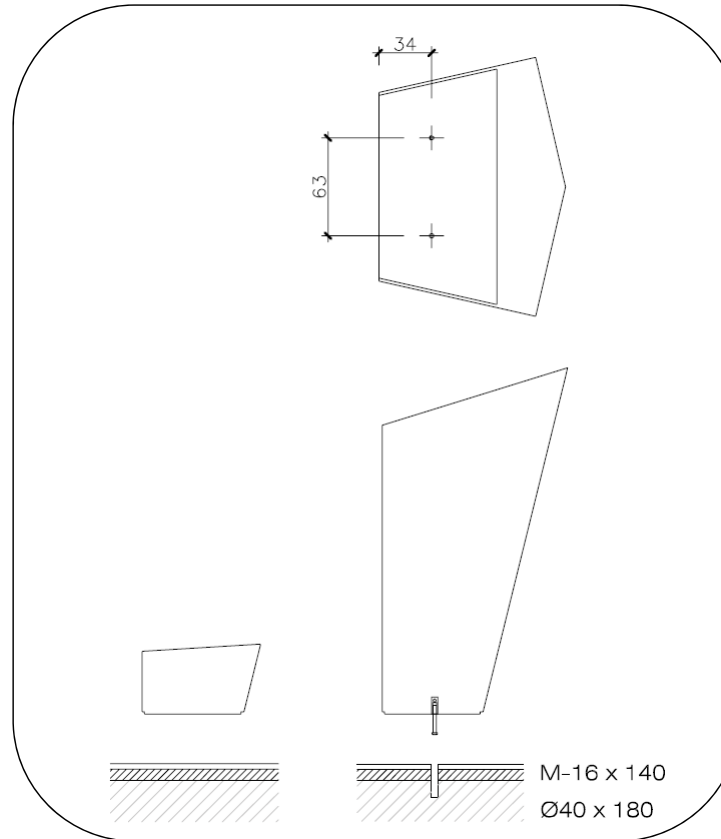


Fig. 1 – hole locations

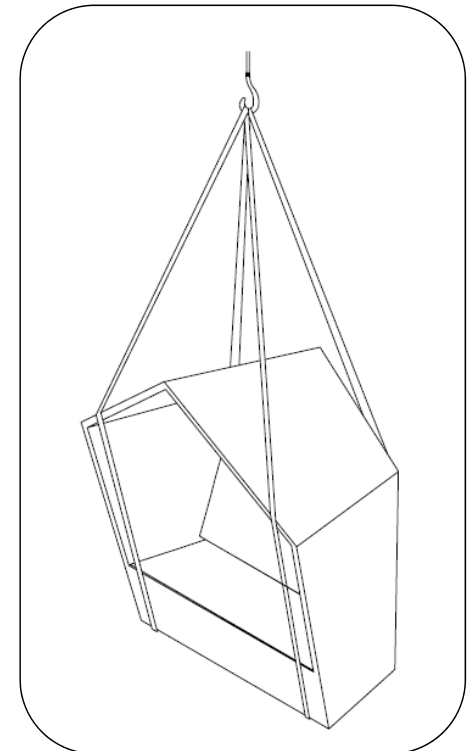


Fig. 2 – Crane install – strap locations