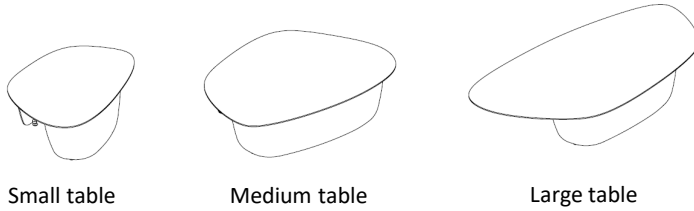


Included components:



Tools required for assembly

- Safety glasses
- 3/4" wrench for adjusting glides
- Optional surface mounting: (2) Max Ø5/16" non-corrosive anchors per table

ASSEMBLE WITH CARE! Pangard II® Polyester Powdercoat is a strong, long-lasting finish. To protect this finish during assembly, place unwrapped powdercoated parts on packaging foam or other non-marring surface. Do not place or slide powdercoated parts on concrete or other hard or textured surface – this will damage the finish causing rust to occur. Use touch-up paint on any gouges in the finish caused by assembly tools.

INSTALLATION:

Note: Unit ships fully assembled.

Freestanding:

1. Set unit in position. Using wrench, adjust glides as necessary to level table.

Surface mounting:

1. Set unit in position. Mark hole locations for two surface mount tabs.
2. Move unit out of position. Drill holes according to anchor manufacturer's recommendations. Anchors should include enough length for thickness of surface mount tab, see Fig. 2. Clear holes of debris.
3. Move unit back into position and install anchors.
4. Using wrench, adjust glides as necessary to level table.

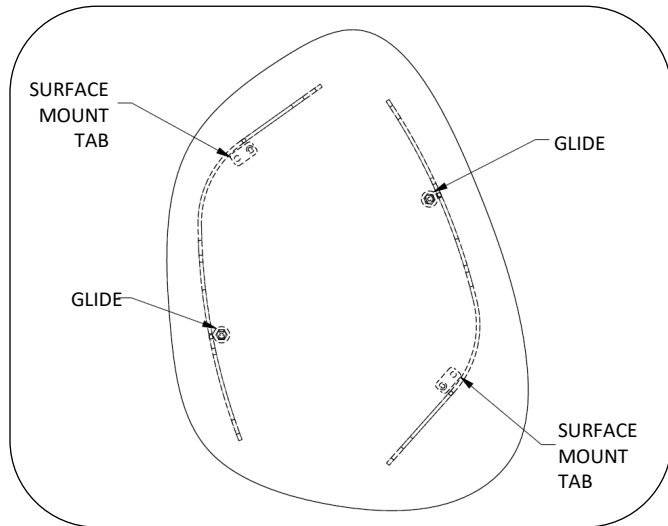


FIG. 1 – ANCHOR TAB LOCATIONS – PLAN VIEW
(SMALL TABLE SHOWN)

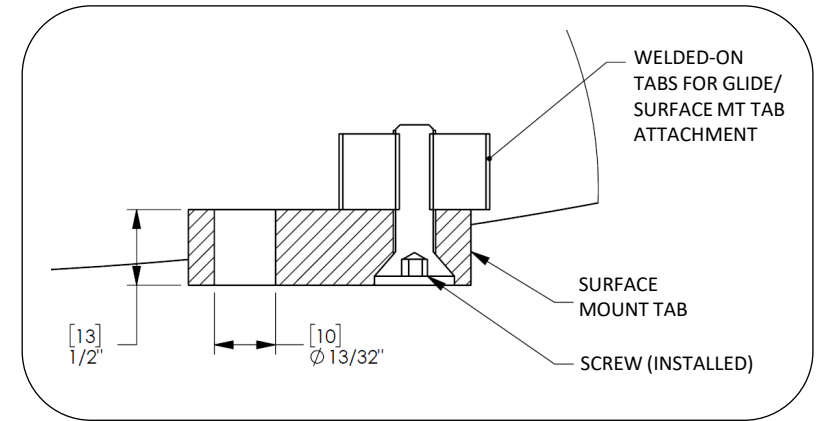


FIG. 2 – ANCHOR TAB SECTION