

Instructions

Assembly
Installation
Operation

10/2009

Austin Bench

Benches come fully assembled with supports attached and arms when specified

Product Components:

Seats: Backless or Backed

Supports: Cantilevered, Freestanding / Surface Mount

Arms: Backless or Backed

Hardware:

No hardware included.

Recommended Procedure for Surface Mounting – NOTE: All Cantilevered benches must be surface mounted

See following pages for footing and slab recommendations.

1. Prepare proper footing or slab as required.

Note: *Installation on an unknown pre-existing concrete is not recommended. Landscape Forms is not responsible for footing or slab installation.*

Landscapeforms recommends that concrete be reinforced and rated at 3,000 PSI minimum and has at least 28 days of curing before installing benches.

2. Place unit in desired position.

Note: *DO NOT DRAG bench across concrete or other rough surfaces. This could damage the powdercoat on the bottom of the base plate.*

If surface mounting a bench with a freestanding support – remove the nylon glide from the bottom of the leg. If the mounting surface is not level use stainless steel shims or washers to level bench before tightening anchors. Failure to level bench before anchoring may cause damage to the bench supports or not allow the anchor to work properly. Be careful not to damage the finish.

3. Mark anchor locations through holes provided in the base plate.
4. Move unit to allow access for drilling holes.
5. Although anchoring procedure and hardware are the responsibility of the installer, Landscape Forms suggests using corrosion resistant anchors (sometimes called bolt anchors), and stainless steel washers. See Anchor Mounting Details on the following pages.
6. Drill for the anchors at the marked positions.
7. Blow the holes clear of debris and dust using compressed air.
8. Place unit in desired position and install the sleeve anchors. Tighten as recommended by anchor manufacturer.
9. Periodically check fasteners and tighten if required.

ASSEMBLE WITH CARE! Pangard II® Polyester Powdercoat is a strong, long-lasting finish. To protect this finish during assembly, place unwrapped powdercoated parts on packaging foam or other non-marring surface. Do not place or slide powdercoated parts on cement or other hard or textured surface – this will damage the finish causing rust to occur. Use touch-up paint on any gouges in the finish caused by assembly tools.

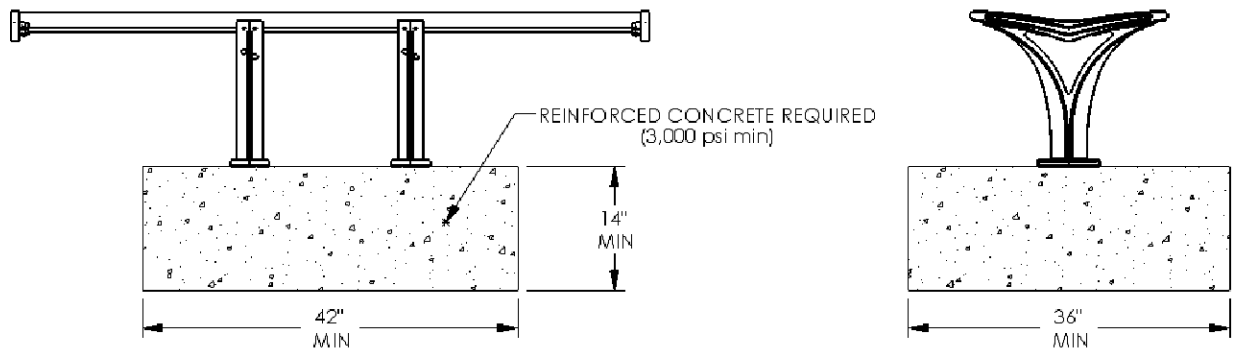
landscapeforms®

Page 1 of 5

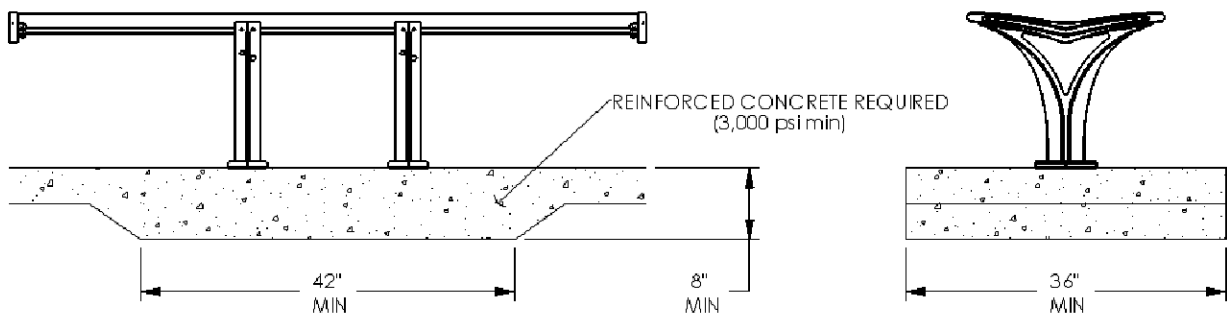
431 Lawndale Avenue, Kalamazoo, MI 49048
PH: 800.521.2546, PH: 269.381.0396, FX: 269.381.3455

Instructions

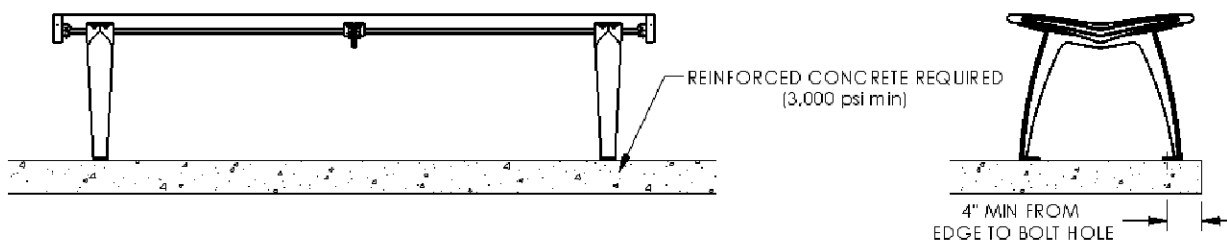
Assembly
Installation
Operation



**Cantilevered Backless or Backed Bench
Recommended Caisson Footing For Surface Mount**



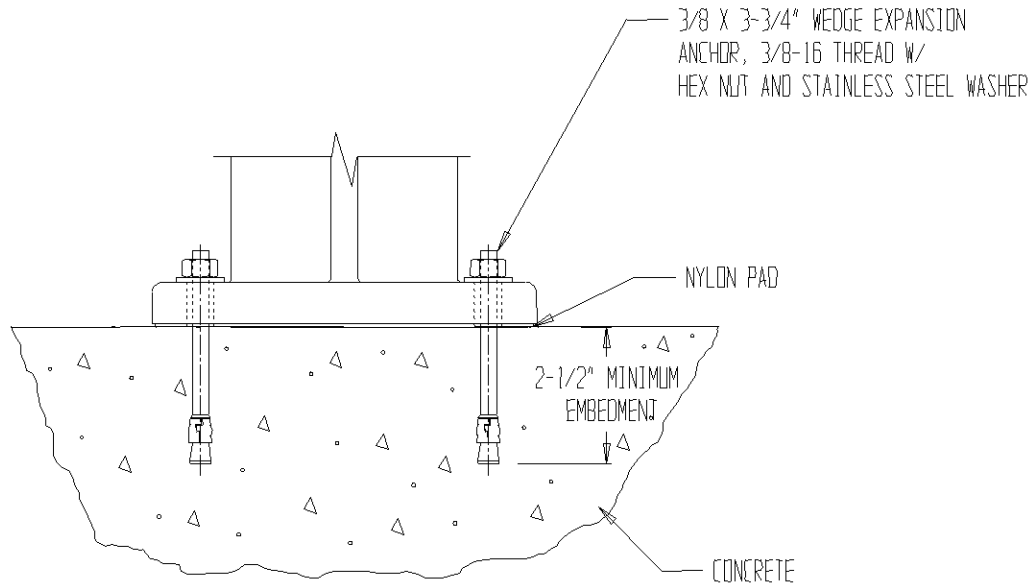
**Cantilevered Backless or Backed Bench
Recommended Installation Detail for Mounting along New Sidewalk**



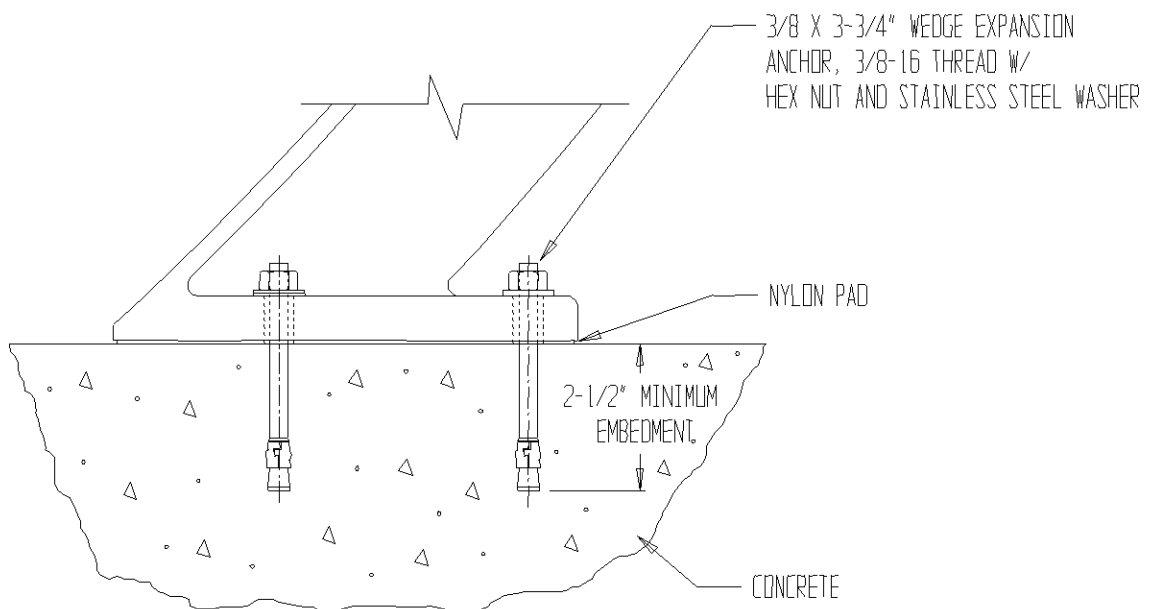
**Freestanding Backless or Backed Bench
Recommended Installation Detail for Surface Mounting along Sidewalk**

Instructions

Assembly
Installation
Operation



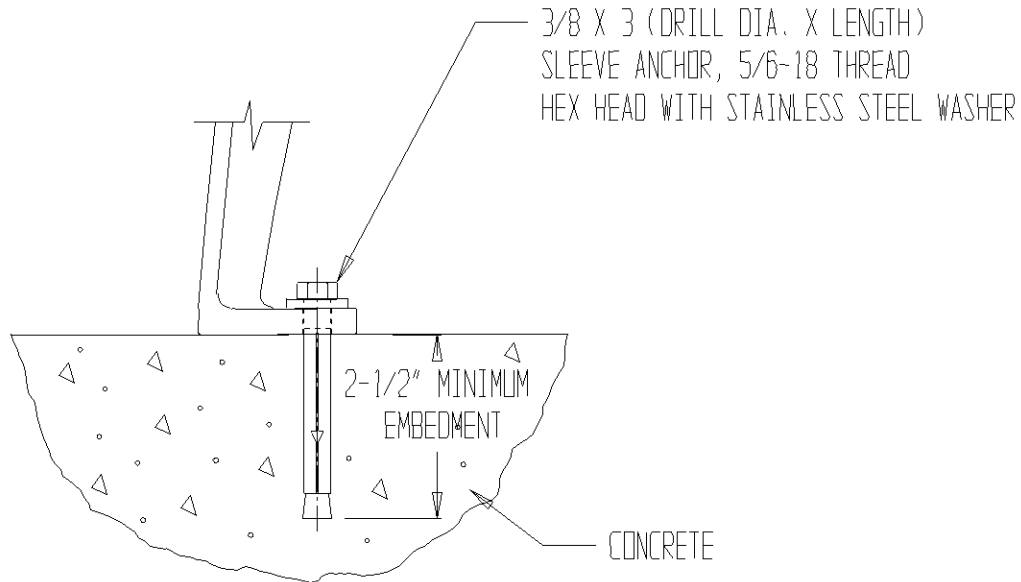
Backless Bench Cantilever Mounting Detail



Backed Bench Cantilever Mounting Detail

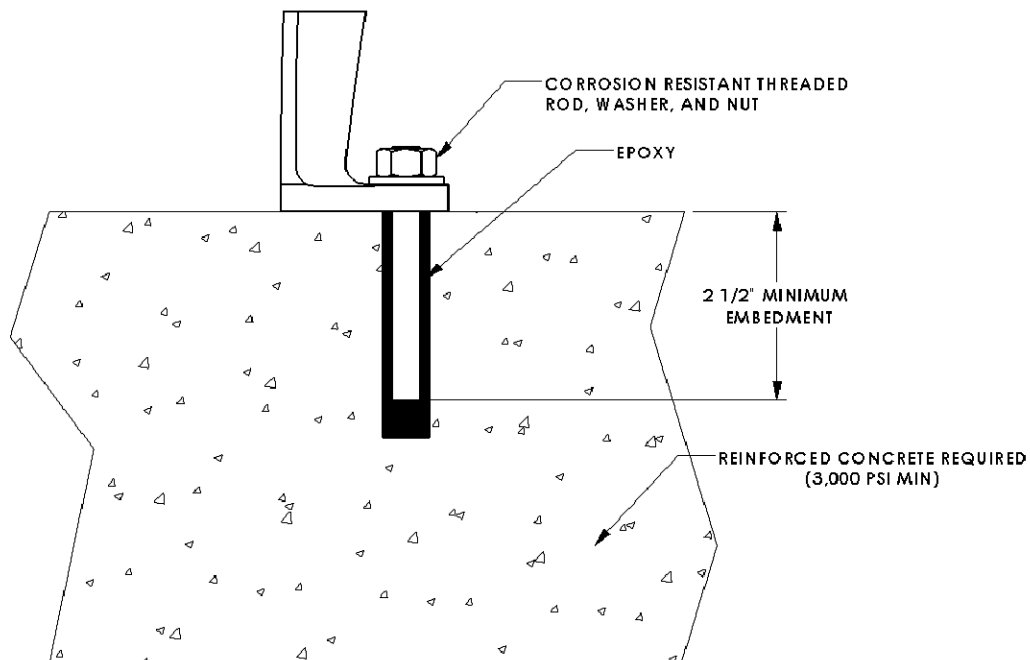
Instructions

Assembly
Installation
Operation



Backless or Backed Freestanding Bench - Surface Mounting Option

Concrete must be 4" thick minimum, no extra thickening is required for the freestanding surface mount bench.



Cantilever or Freestanding Bench - Epoxy Mounting Option – see next page

Instructions

Assembly
Installation
Operation

Alternate procedure for mounting supports using epoxy

The installer will need one, 3/8-16 x 3-3/4" long** stainless steel threaded rod, stainless nut, and washer per mounting hole.

Use one of the following adhesives, supplied by others:

- Powers Fasteners AC100 PLUS™ This gray colored adhesive is available in 8, 12, and 30 oz. tubes, and may be used at temperatures from 0° to 104°F. Contact the manufacturer at 914-235-6300 or www.powers.com for distributor and technical information.
- Hilti HIT RE 500 This red colored adhesive is available in 11.1 and 37 oz. tubes and may be used at temperatures from 23° to 104°F. Contact the manufacturer at 800-879-8000 or www.us.hilti.com for distributor and technical information.

These products may be used in wet or dry conditions. Gel and cure times vary with temperature. Each hole requires approximately 3 ounces of adhesive. The following additional items are available from the adhesive manufacturer:

dispenser
extra dispenser tips
1" diameter nylon brush
compressed air nozzle with extended tip

1. Transfer mounting hole locations from the bench supports to the surface that the unit will be mounted to.
2. Drill holes using a hammer drill and 5/8" masonry drill bit. Minimum hole depth is 3 inches.
3. Clean holes carefully using a 1" diameter nylon brush and compressed air. For best results use a nozzle that reaches the bottom of the hole. Holes must be free of standing water or ice.
4. Install the threaded rods into the tapped holes
5. Before dispensing adhesive, place the bench the installed position with anchor rods extending into drilled holes to verify location.
6. Remove the bench.
7. Follow the manufacturer's instructions for dispensing adhesive. Fill the holes from the bottom up to avoid air pockets. Fill to a level 1" from the top of each hole. (The adhesive level should rise to the top of the hole as the rod is set in place.)
8. Allow the adhesive to cure per manufacturers recommendations.
9. Set the bench back in place, install washer and nut, and tighten securely
10. Periodically check fasteners and tighten if required

**** NOTE:** The 3-3/4 inch long rod is necessary for mounting directly into concrete. To remain secure, the installation must be completed into a solid concrete foundation. If the installation is to be over pavers or other material the rod length must be increased by the thickness of the pavers to allow for a minimum of 2 1/2" of rod depth into the concrete base.