



a landscapiforms® company

# Aspect Series LANDSCAPE PLANTERS

Fine precast concrete landscape planter.



### TO SPECIFY

Select the ASP product number along with the options below.

#### Drainage

- Standard diameter hole: approximately 2-3/8"
- Custom size to function with irrigation & drainage (note size of plumbing fixture to be used)

#### Concrete Color

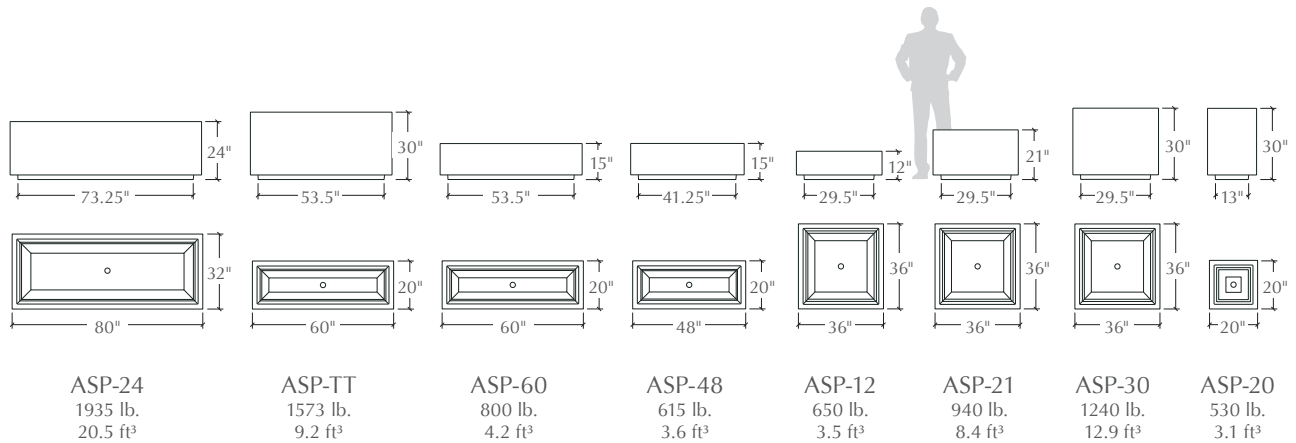
- Natural gray concrete
- 9 standard color options available
- Additional color mixing available

#### Finishing

- Bituminous sealer (suggested for interior applications)
- Sandblast finish

#### Notes

- See website to download CSI specifications
- Prices vary based on color, sandblasting, sealer and extra drain holes



All weights are approximate. Volume is calculated 1" down from the top surface of the planter.

In 2018, Larry Kornegay designed the Aspect Series exclusively for Kornegay Design® LLC, a Landscapiforms® company

v. 2022.09.13