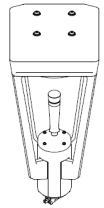
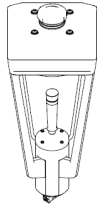


Included components

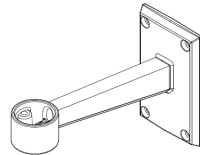


No Twist-lock

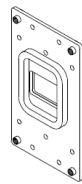


With Twist-lock

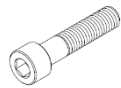
Wall mt luminaire



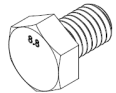
Wall mount
Bracket



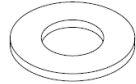
Bracket plate



2X – M10 x 45mm
Socket hd
Cap screw



4X – M8 x 12mm
Hex head bolt
With thread patch



4X – 5/16 washer



2X – M8 x 30mm
Socket Hd Cap Screw
Used for wiring inspection

Tools Required

- Safety glasses
- 13mm socket and ratchet wrench
- 8mm hex key
- Wiring tools and connectors
- Twist lock photo eye control, if required
- Phillips screwdriver
- Hardware to mount bracket plate to wall. Bracket has (10) Ø17/64" holes to allow for anchoring in at least 4 places – see Fig. 3. Max clearance for anchor bolts is 3/8".
- Silicone sealer

ASSEMBLE WITH CARE! Pangard II® Polyester Powdercoat is a strong, long-lasting finish. To protect this finish during assembly, place unwrapped powdercoated parts on packaging foam or other non-marring surface. Do not place or slide powdercoated parts on concrete or other hard or textured surface – this will damage the finish causing rust to occur. Use touch-up paint on any gouges in the finish caused by assembly tools.

WARNING! Installer must provide strain relief to line-in wires where they connect to light fixture wires. Failure to do so may cause electrical failure and will void warranty.

WARNING!: LED cartridge and driver are not rated for connection or disconnection while energized. Doing so may damage LEDs and will void the warranty. Disconnect incoming power before making or breaking any electrical connections.

Landscape Forms is not responsible for site preparation.

INSTALLATION PROCEDURE:

Note: The wall mount luminaire may also be connected to the wall mount bracket first, and then the assembly can be attached to the bracket plate.

To attach the bracket plate to the wall:

Note: For new installations, it is recommended that a single-gang outlet box be mounted horizontally in the wall. The outside face of the box should be flush with the wall or protrude no more than 1/8" for best results. Since wall mounting substrates vary greatly, the installer should determine the appropriate fasteners to use to attach the bracket plate to the wall.

1. Set bracket plate in position on the wall. See Fig. 3.
2. Mark hole locations. It is recommended that at least 2 of the holes from the top 5 locations and 2 holes from the bottom 5 locations are used for anchoring.
3. Move bracket plate.
4. Drill holes according to anchor manufacturer's recommendations.
5. Run wires through wiring access hole in bracket plate.
6. Apply bead of silicone to back of bracket plate as shown in Fig. 4 to ensure the plate seals to the single-gang box and the wall.
7. Place bracket plate in position and install anchors.

To attach wall mount bracket to bracket plate:

Note: Hardware is included to attach wall mount bracket to bracket plate.

1. Wall mount bracket is shipped pre-wired. Make wiring connections from the wall mount bracket to the line-in voltage wires.
2. Set wall mount bracket in position over bracket plate
3. Attach using M8 hex head screws and 5/16 washers as shown in Fig. 5.

To attach luminaire to wall mount bracket:

Note: Hardware is included to attach luminaire to bracket.

1. Connect the wiring harness from the luminaire to the wall mount bracket as shown in Fig. 1 and 2.
2. Push excess wire into the arm of the wall mount bracket.
3. Align the arm of the luminaire labeled "FRONT" opposite of the arm of the wall mount bracket.
4. Verify that the wires will not pinch when nesting the luminaire into the wall mount bracket cup.
5. Install the M10x45mm socket head caps screws as shown in Fig. 6.



Fig. 1 – wall mount luminaire wiring components

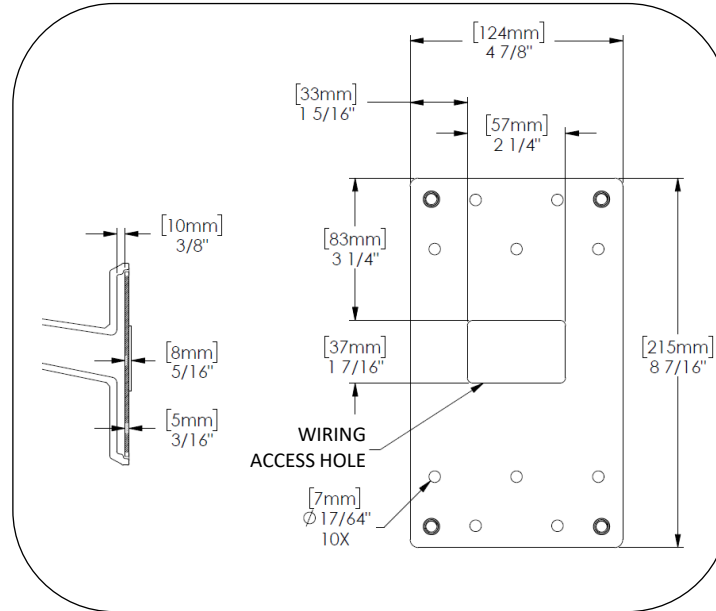


Fig. 3 – Wall mount bracket details

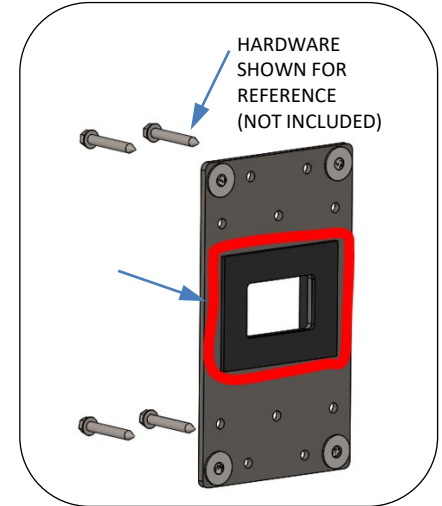


Fig. 4 – Wall mount silicone location



Fig. 2– Wall mount luminaire to bracket wiring connection

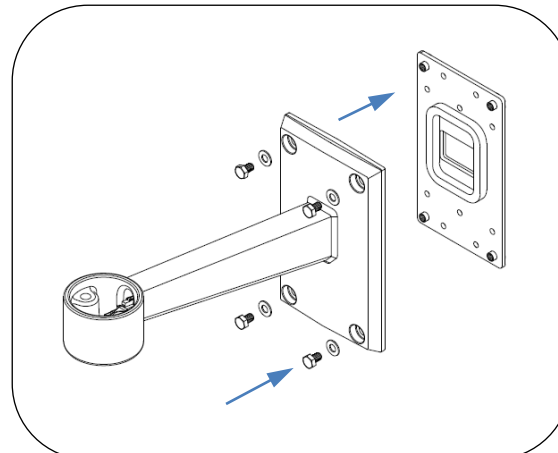


Fig. 5 – Attach wall mount bracket to bracket plate

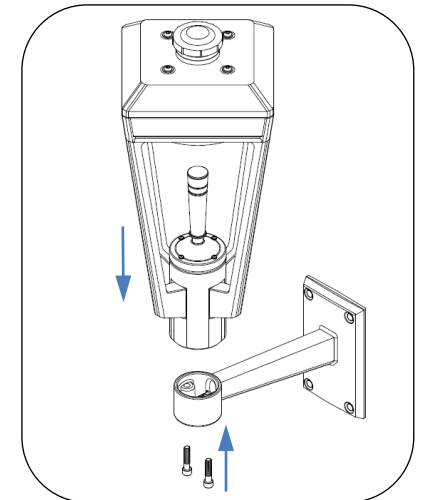


Fig. 6 – Attach luminaire to wall bracket

PROCEDURE FOR WIRING ASHBERY:

The Ashbery luminaire is assembled at the factory. The light cartridge is mounted into the head of the luminaire and will not need to be removed during installation. The LED cartridge is wired to the driver (located in the base of the luminaire) at the factory. Use of LED drivers other than the supplied unit is not recommended and will void the warranty.

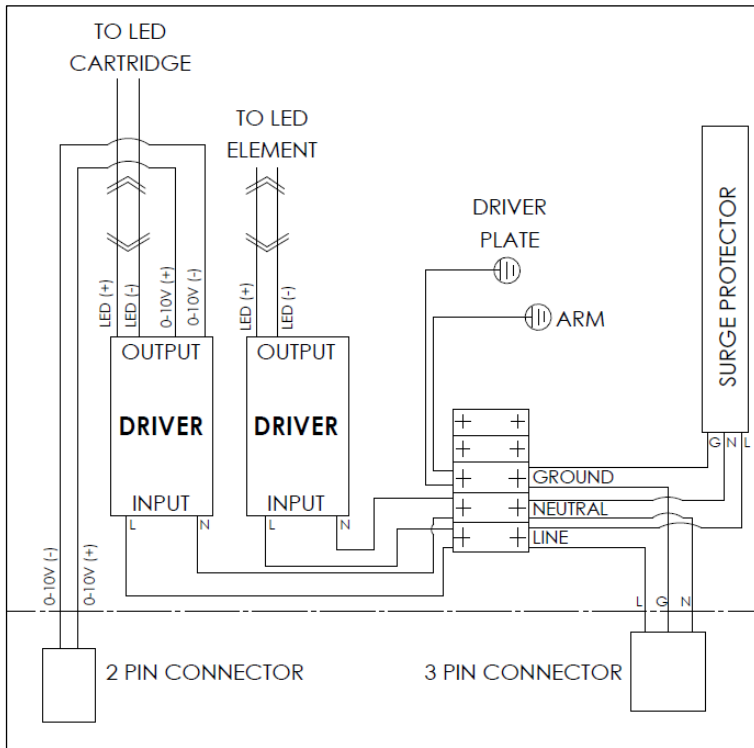
The wiring schematics reference connections in the luminaire and connector(s) used to attach to the harness in the wall mount bracket. Connection hardware not included.

Installers are responsible for line-in connections.

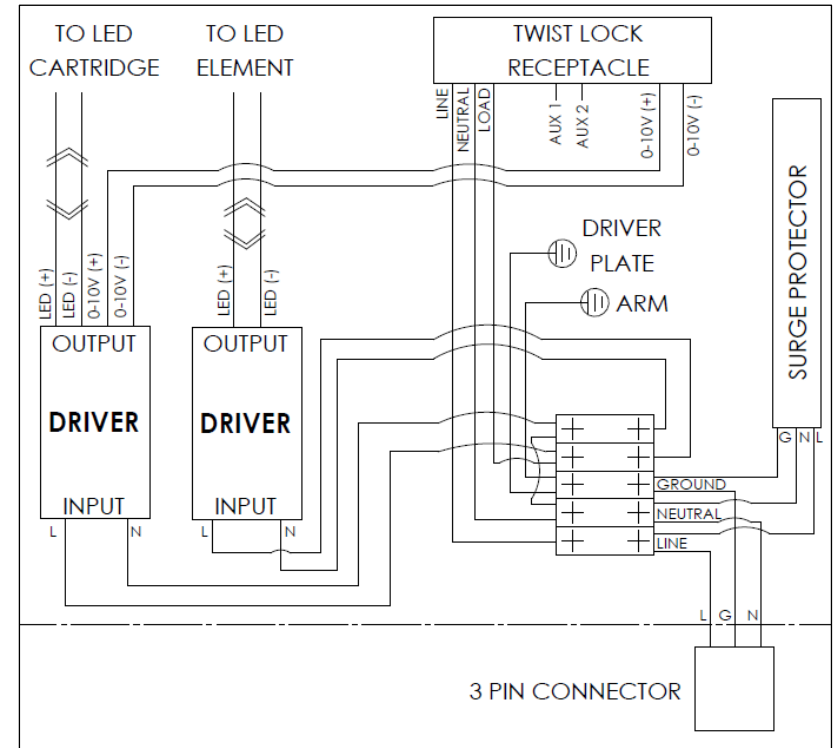
Optional dimming control is not included.

Note: This unit is pre-wired. These diagrams are for reference to the 3-pin and 2-pin connectors.

WARNING!: LED cartridge and driver are not rated for connection or disconnection while energized. Doing so may damage LEDs and will void the warranty. Disconnect incoming power before making or breaking any electrical connections.



WIRING DIAGRAM: Type 3 luminaire, wall mount, no twist-lock receptacle



WIRING DIAGRAM: Type 3 luminaire, wall mount, with twist-lock receptacle

For inspection purposes:

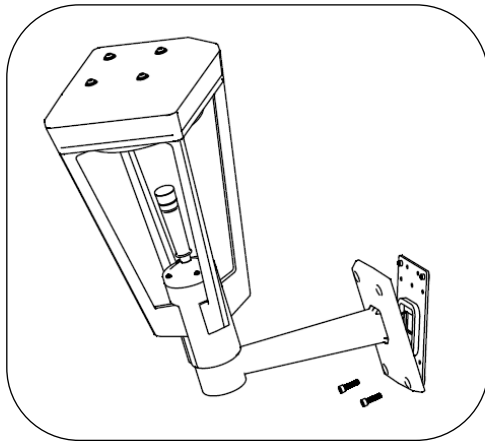


Fig. 7 – Install special screws for wiring inspection purposes



2X – M8 x 30mm
Socket Hd Cap Screw
Used for wiring inspection

Tools Required

- 6mm hex key
- 13mm socket and ratchet wrench

WARNING! Installer must provide strain relief to line-in wires where they connect to light fixture wires. Failure to do so may cause electrical failure and will void warranty.

Landscape Forms is not responsible for site preparation.

INSTALLATION PROCEDURE:

WARNING! Do not hang or put additional load on the light fixture once it is tipped out and hanging for inspection. Damage to mount bracket or light fixture may occur.

To ready unit for inspection:

1. Remove the two bottom M8 hex head screws and washers.
2. Install two M8 x 30mm socket head cap screws in the two bottom holes of the bracket until they bottom out.
3. Remove the top M8 hex head screws while supporting the light fixture to keep it from tipping.
4. Slide the fixture out slowly until it contacts the heads of the bottom two screws.
5. Allow the fixture to slowly tip forward until it rests on the bottom two screws.
6. Hook up / Inspect the wiring.
7. Once inspection is complete, tip unit back to level and slide back to the bracket mount plate. Ensure wires are not pinched against the box or the bracket.
8. Reinstall the two M8 hex head screws and washers at the top of the bracket.
9. Remove the two M8 socket head caps screws at the bottom of the bracket and replace with the original M8 hex head screws and washers.

ASSEMBLE WITH CARE! Pangard II® Polyester Powdercoat is a strong, long-lasting finish. To protect this finish during assembly, place unwrapped powdercoated parts on packaging foam or other non-marring surface. Do not place or slide powdercoated parts on concrete or other hard or textured surface – this will damage the finish causing rust to occur. Use touch-up paint on any gouges in the finish caused by assembly tools.