

Ashbery Area Light

landscapeforms®

Specification Sheet | AP100/200/300



Ashbery is a trio of lights that combines advanced LED technology and optics with an homage to traditional-style lights that have a special place in the American lexicon. The line includes single or dual configurations for smallscale area lights in 8', 10' and 12' pole heights as well as large-scale area lights in 12', 14' and 16' pole heights offered with different symmetric and asymmetric distributions and clear or diffused lenses to tailor directionality and ambiance of illumination. Options for the Landscape Forms visual comfort and high output light engines adapt Ashbery's performance specifically for the pedestrian scale or beyond in use cases like parking lots, streetscapes, transit and other environments with a wide range of illumination requirements.

Housing & Materials

Cast aluminum construction. LED light engine attached to aluminum cartridge housing using magni-coated steel screws. Housing features an acrylic frosted or clear lens and an LED center element. All hardware is magni-coated steel which features an anti-corrosion coating.

Electrical

120V through 277V 50/60 Hz electronic driver. 0-10V dimming. -40°C start temperature. LED cartridge with weatherproof quick disconnect provides ease of installation and serviceability. Cast aluminum driver housing assembly located at base of luminaire. Available with optional ANSI C136.41 twist lock receptacle and/or pole-mounted photo/motion sensor. Ashbery area light ships prewired with center element having a separate circuit from main light engine.

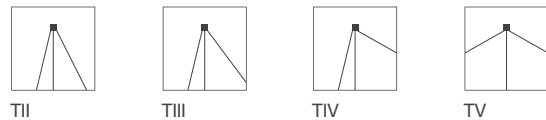
Light Engine

High powered LEDs mounted to a RoHS compliant circuit board with PMMA optics affixed to each LED on the board. Available in 2700K, 3000K, and 4000K. >80 CRI across all available color temperatures. Center element available in 2000K color temperature.

Featured in the 100 and 200 series luminaires, the visual comfort light engine brings to the forefront attributes of human-centric optical design in pedestrian centric spaces. It reduces high angle glare and contrast ratio, eliminates 'lens image' of LEDs, and has distributions that aid to a first class visual experience for pedestrians.

Featured in the 300 series luminaire, the performance light engine delivers high output with up to 8400 lumens through a wide selection of roadway distribution types. Capable of meeting footcandle minimum and uniformity requirements at taller pole heights and wider spacing, the 300 series addresses lighting needs in vehicular and other environments where design criteria includes non-pedestrian needs. The 300 series is the ideal accompaniment to the 100 and 200 series in meeting all lighting needs on a site, both pedestrian and vehicular.

Distributions



Warranty

LED lighting products are warranted for six years.

Certification

UL Listed for Wet Location, CE, International Dark Sky Approved, Buy America Compliant, RoHS Compliant



Designed by Robert A.M. Stern Architects

[Click here](#) for patent information related to this product.

Ashbery Area Light

landscapeforms®

Specification Sheet | AP100/200/300

Project Information

Project Name _____

Catalog Number _____

Fixture Type _____

Luminaire

100 Series Luminaire (Small Size Luminaire with Visual Comfort Light Engine)

Product	Drive Current	Color Temperature	Distribution	Lens	Center Element	Twist Lock	Powdercoat
AP101 <i>(Single Post-top)</i>	SO <i>(Standard Output)</i>	27K (2700K)	T3 (Type III)	FRS <i>(Frosted)</i>	20K (2000K)	NTW <i>(No Twist Lock)</i>	See powdercoat color options on the Material / Colors Sheet.
AP102 <i>(Double Post-top)</i>		30K (3000K)	T5 (Type V)			TW1 <i>(Twist Lock)</i>	
		35K (3500K)					
		40K (4000K)					

Example: AP101 – SO – 27K – T3 – FRS – 20K – TW1 – Powdercoat

Luminaire

200 Series Luminaire (Full Size Luminaire with Visual Comfort Light Engine)

Product	Drive Current	Color Temperature	Distribution	Lens	Center Element	Twist Lock	Powdercoat
AP201 <i>(Single Post-top)</i>	SO <i>(Standard Output)</i>	27K (2700K)	T3 (Type III)	FRS <i>(Frosted)</i>	20K (2000K)	NTW <i>(No Twist Lock)</i>	See powdercoat color options on the Material / Colors Sheet.
AP202 <i>(Double Post-top)</i>		30K (3000K)	T5 (Type V)			TW1 <i>(Twist Lock)</i>	
		35K (3500K)					
		40K (4000K)					

Example: AP202 – SO – 40K – T5 – FRS – 20K – NTW – Powdercoat

Luminaire

300 Series Luminaire (Full Size Luminaire with Performance Light Engine)

Product	Drive Current	Color Temperature	Distribution	Lens	Center Element	Twist Lock	Powdercoat
AP301 (18 LED / <i>Single Post-top</i>)	SO <i>(Standard Output)</i>	27K (2700K)	T2 (Type II)	CLR <i>(Clear)</i>	20K (2000K)	NTW <i>(No Twist Lock)</i>	See powdercoat color options on the Material / Colors Sheet.
AP302 (18 LED / <i>Double Post-top</i>)		30K (3000K)	T3 (Type III)			TW1 <i>(Twist Lock)</i>	
AP303 (36 LED / <i>Single Post-top</i>)	HO <i>(High Output)</i>	35K (3500K)	T4 (Type IV)	FRS <i>(Frosted)</i>			
AP304 (36 LED / <i>Double Post-top</i>)		40K (4000K)	T5 (Type V)				

Example: AP304 – HO – 35K – T4 – CLR – 20K – NTW – Powdercoat

Ashbery Area Light



Specification Sheet | AP100/200/300

Poles

Part Number	Base Cover Option	Power Receptacle	Photo / Motion Sensor	Powdercoat	Pole Height	Lens Height	Pole Diameter
AP-8-A1* (Single Post-top)					6 ft (1.8m)	8 ft (2.4m)	4" (102mm)
AP-10-A1* (Single Post-top)					8 ft (2.4m)	10 ft (3.1m)	4" (102mm)
AP-12-A1* (Single Post-top)	NUT (Nut Covers)	NR (No Power Receptacle)	NMS (No Motion Sensor)		10 ft (3.1m)	12 ft (3.7m)	4" (102mm)
AP-12-B1* (Double Post-top)					9.7 ft (3m)	12 ft (3.7m)	4" (102mm)
AP-12-A (Single Post-top)				See powdercoat color options on the Material / Colors Sheet.	9.5 ft (2.9m)	12 ft (3.7m)	4" (102mm)
AP-12-B (Double Post-top)					9 ft (2.7m)	12 ft (3.7m)	5" (127mm)
AP-14-A (Single Post-top)					11.5 ft (3.5m)	14 ft (4.3m)	4" (102mm)
AP-14-B (Double Post-top)	BC (Base Cover)	R (Power Receptacle)	MS1 (With Motion Sensor)		11 ft (3.4m)	14 ft (4.3m)	5" (127mm)
AP-16-A (Single Post-top)					13.5 ft (4.1m)	16 ft (4.9m)	4" (102mm)
AP-16-B (Double Post-top)					13 ft (4m)	16 ft (4.9m)	5" (127mm)

Example: AP-16-A – NUT – R – MS1 – Powdercoat
 * For AP100 Series fixtures only

Modifications

Part Number	Modification	Description
CAM	Camera	
SPE	Speaker	
WAP	WiFi Access Point	
BAN	Banner Arms	
VIB	Vibration Dampener	
CPH	Custom Pole Height	
CLH	Custom Lens Height	
CPC	Custom Powdercoat Color	
--	Other	

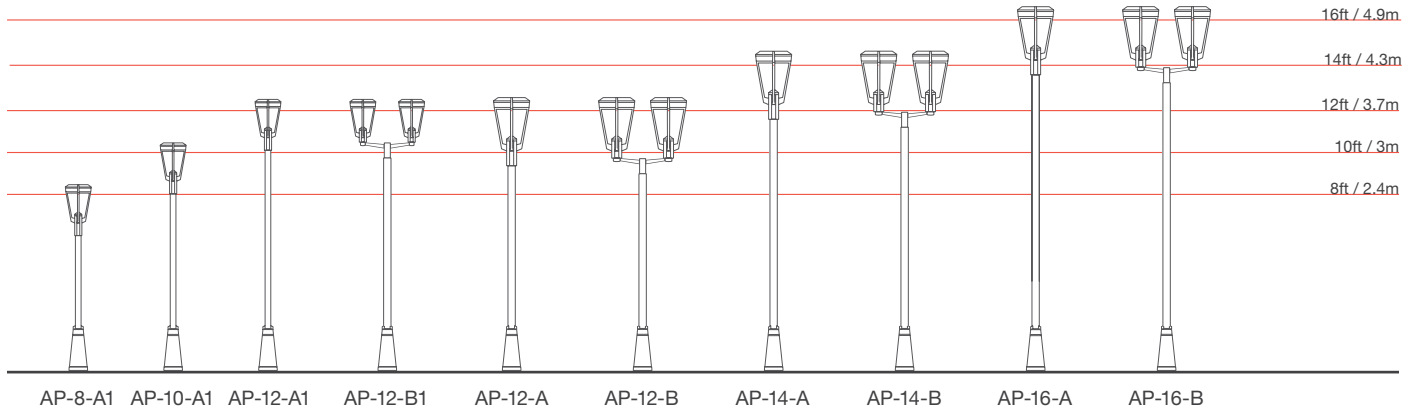
Modifications listed above are the most common changes/additions requested. If your requirements aren't shown here, select 'other' and write in the modification needed. Please provide as much detail as possible to streamline the quoting process. All modifications to standard products will require evaluation and quoting approved by Landscape Forms prior to order placement.

Ashbery Area Light

landscapeforms®

Specification Sheet | AP100/200/300

Lens Height & Luminaire Configuration Guide



See customer drawings for luminaire mounting height details.

Pole & Base Cover

Manufactured from seamless aluminum alloy with a flush mounted hand hole cover. Base cover options include a cast aluminum, decorative, two-piece base cover or four cast aluminum nut covers. Mounting template and anchor hardware included. Anchor bolts conform to ASTM F1554 Grade 55 and are provided with two hex nuts and two flat washers. Bolts have an "L" bend on one end and are galvanized a minimum of 12" on the threaded end. Pole is topped with standard dimension 2-3/8" dia x 4" tenon.

Mounting

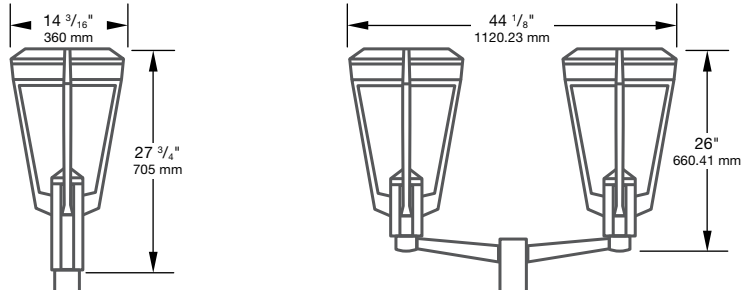
Single and double luminaire design mounts to pole via a 2 3/8" x 4" tenon mount at the top of the pole with eight (8) magni-coated steel screws which is an anti-corrosion coating.

Ashbery Area Light

landscapeforms®

Specification Sheet | AP100/200/300

100 Series Luminaire Dimensions



Weight: 30 lbs (100 series luminaire w/ single post-top bracket)

EPA: 1.45 ft²

TM21 L70(10k): >60,000 hrs

Protection Class: IP66

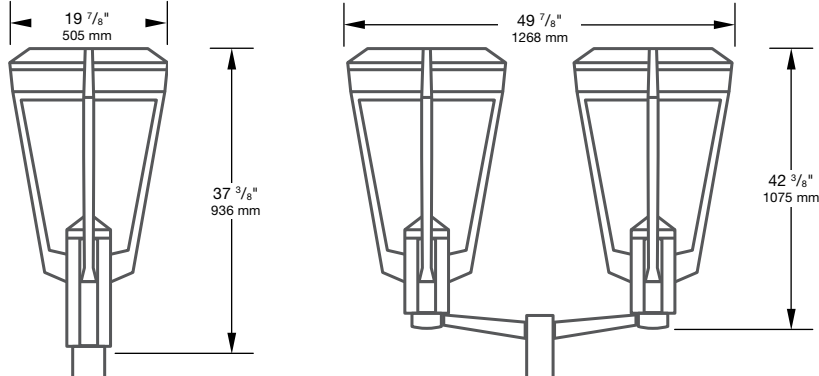
Weight: 65 lbs (2 small luminaires w/ double post-top bracket)

EPA: 3.52 ft²

TM21 L70(10k): >60,000 hrs

Protection Class: IP66

200 and 300 Series Luminaire Dimensions



Weight: 55 lbs (large luminaire w/ single post-top bracket)

EPA: 2.57 ft²

TM21 L70(10k): >60,000 hrs

Protection Class: IP66

Weight: 115 lbs (2 large luminaire w/ double post-top bracket)

EPA: 5.45 ft²

TM21 L70(10k): >60,000 hrs

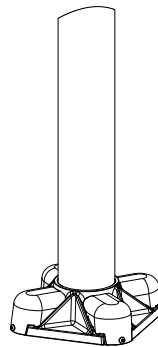
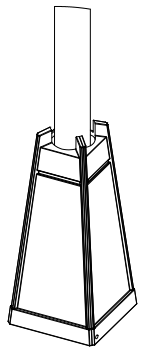
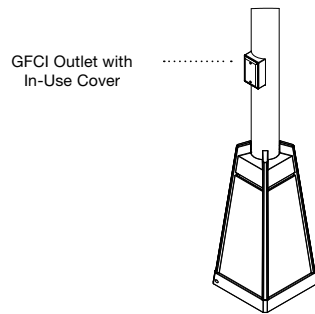
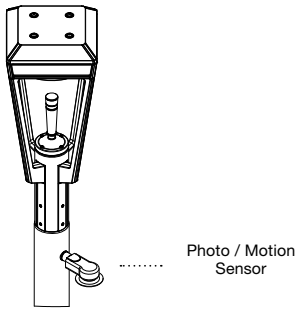
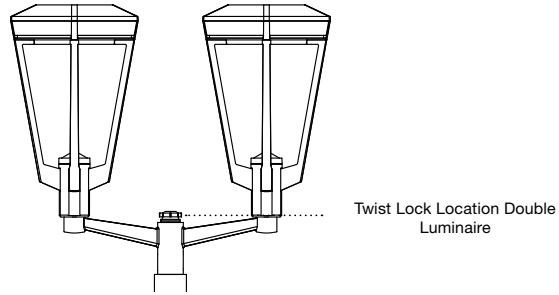
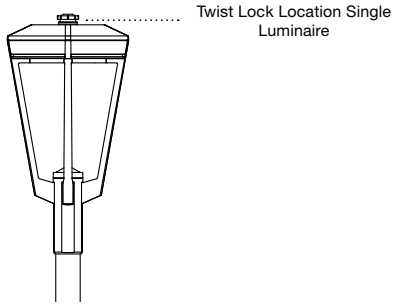
Protection Class: IP66

Ashbery Area Light

landscapeforms®

Specification Sheet | AP100/200/300

Luminaire & Pole Accessories



Ashbery Area Light

landscapeforms®

Specification Sheet | AP100/200/300

Performance Data

100 Series Luminaire (Small Size Luminaire with Visual Comfort Light Engine)

Model	Drive Current	Color Temp	Lumen Output*	Distribution	Lens	Watts	BUG Rating
AP101_102-SO-35K-T3-FRS	700mA	3500K	1002	Type 3	Frosted	20	B0-U2-G1
AP101_102-SO-35K-T5-FRS	700mA	3500K	1864	Type 5	Frosted	42	B1-U1-G1
AP103-SO-35K-T3-FRS	700mA	3500K	1002	Type 3	Frosted	20	B0-U2-G1

This data is subject to change.

*Apply 0.9 multiplier for 2700K, 0.96 for 3000K, and 1.007 for 4000K color temperatures.

Performance Data

200 Series Luminaire (Full Size Luminaire with Visual Comfort Light Engine)

Model	Drive Current	Color Temp	Lumen Output*	Distribution	Lens	Watts	BUG Rating
AP201_202-SO-35K-T3-FRS	1000mA	3500K	2313	Type 3	Frosted	39.5	B1-U1-G1
AP201_202-SO-35K-T5-FRS	1000mA	3500K	4518	Type 5	Frosted	79	B2-U2-G1

This data is subject to change.

*Apply 0.93 multiplier for 2700K, 0.97 for 3000K, and 1.02 for 4000K color temperatures.

Performance Data

300 Series Luminaire (Full Size Luminaire with Performance Light Engine)

Model	LED Quantity	Drive Current	Color Temp	Lumen Output*	Distribution	Lens	Watts	BUG Rating
AP301_302-SO-35K-T2-CLR	18	480mA	3500K	2705	Type 2	Clear	32	B1-U1-G1
AP301_302-HO-35K-T2-CLR	18	775mA	3500K	4045	Type 2	Clear	51	B1-U2-G1
AP301_302-SO-35K-T2-FRS	18	480mA	3500K	2507	Type 2	Frosted	32	B1-U1-G1
AP301_302-HO-35K-T2-FRS	18	775mA	3500K	3749	Type 2	Frosted	51	B1-U1-G1
AP301_302-SO-35K-T3-CLR	18	480mA	3500K	2763	Type 3	Clear	32	B1-U1-G1
AP301_302-HO-35K-T3-CLR	18	775mA	3500K	4132	Type 3	Clear	51	B1-U1-G1
AP301_302-SO-35K-T3-FRS	18	480mA	3500K	2502	Type 3	Frosted	32	B1-U1-G1
AP301_302-HO-35K-T3-FRS	18	775mA	3500K	3741	Type 3	Frosted	51	B1-U1-G1
AP301_302-SO-35K-T4-CLR	18	480mA	3500K	2782	Type 4	Clear	32	B1-U1-G1
AP301_302-HO-35K-T4-CLR	18	775mA	3500K	4159	Type 4	Clear	51	B1-U2-G1
AP301_302-SO-35K-T4-FRS	18	480mA	3500K	2502	Type 4	Frosted	32	B1-U1-G1
AP301_302-HO-35K-T4-FRS	18	775mA	3500K	3740	Type 4	Frosted	51	B1-U1-G1
AP301_302-SO-35K-T5-CLR	18	530mA	3500K	3084	Type 5	Clear	35	B1-U1-G0
AP301_302-HO-35K-T5-CLR	18	825mA	3500K	4461	Type 5	Clear	54	B2-U2-G0

This data is subject to change.

*Apply 0.9 multiplier for 2700K, 0.96 for 3000K, and 1.007 for 4000K color temperatures.

Ashbery Area Light

landscapeforms®

Specification Sheet | AP100/200/300

Performance Data (cont.)

300 Series Luminaire (Full Size Luminaire with Performance Light Engine)

Model	LED Quantity	Drive Current	Color Temp	Lumen Output*	Distribution	Lens	Watts	BUG Rating
AP301_302-SO-35K-T5-FRS	18	530mA	3500K	2805	Type 5	Frosted	35	B1-U1-G1
AP301_302-HO-35K-T5-FRS	36	825mA	3500K	4035	Type 5	Frosted	54	B2-U1-G1
AP303_304-SO-35K-T2-CLR	36	480mA	3500K	5178	Type 2	Clear	60	B1-U2-G1
AP303_304-HO-35K-T2-CLR	36	775mA	3500K	7708	Type 2	Clear	97	B2-U2-G2
AP303_304-SO-35K-T2-FRS	36	480mA	3500K	4798	Type 2	Frosted	60	B1-U2-G1
AP303_304-HO-35K-T2-FRS	36	775mA	3500K	7143	Type 2	Frosted	97	B2-U2-G1
AP303_304-SO-35K-T3-CLR	36	480mA	3500K	5289	Type 3	Clear	60	B1-U2-G1
AP303_304-HO-35K-T3-CLR	36	775mA	3500K	7873	Type 3	Clear	97	B2-U2-G2
AP303_304-SO-35K-T3-FRS	36	480mA	3500K	4788	Type 3	Frosted	60	B1-U2-G1
AP303_304-HO-35K-T3-FRS	36	775mA	3500K	7128	Type 3	Frosted	97	B2-U2-G1
AP303_304-SO-35K-T4-CLR	36	480mA	3500K	5324	Type 4	Clear	60	B2-U2-G2
AP303_304-HO-35K-T4-CLR	36	775mA	3500K	7926	Type 4	Clear	97	B2-U2-G2
AP303_304-SO-35K-T4-FRS	36	480mA	3500K	4788	Type 4	Frosted	60	B2-U2-G1
AP303_304-HO-35K-T4-FRS	36	775mA	3500K	7127	Type 4	Frosted	97	B2-U2-G2
AP303_304-SO-35K-T5-CLR	36	530mA	3500K	5844	Type 5	Clear	66	B2-U2-G1
AP303_304-HO-35K-T5-CLR	36	825mA	3500K	8366	Type 5	Clear	104	B3-U2-G1
AP303_304-SO-35K-T5-FRS	36	530mA	3500K	5316	Type 5	Frosted	66	B2-U1-G1
AP303_304-HO-35K-T5-FRS	36	825mA	3500K	7611	Type 5	Frosted	104	B2-U2-G1

This data is subject to change.

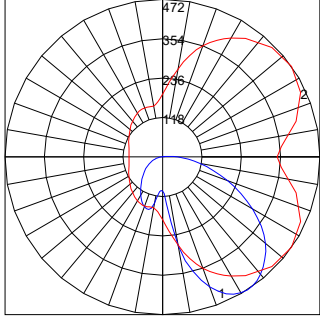
* Apply 0.9 multiplier for 2700K, 0.96 for 3000K, and 1.007 for 4000K color temperatures.

Ashbery Area Light

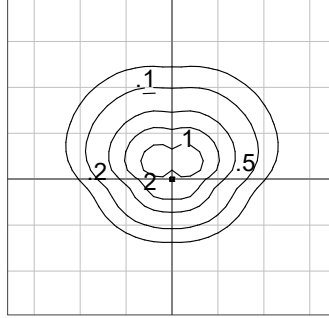
Specification Sheet | AP100/200/300

AP101-SO-30K-T3-FRS

100 Series Luminaire, Type III, Standard Output, Frosted Lens



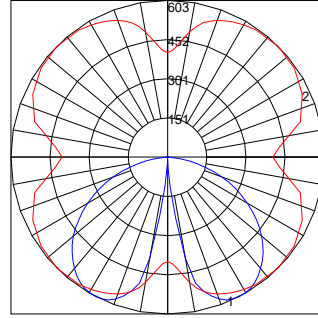
Maximum Candela = 471.7
 Located At Horizontal Angle = 35
 Vertical Angle = 32.5



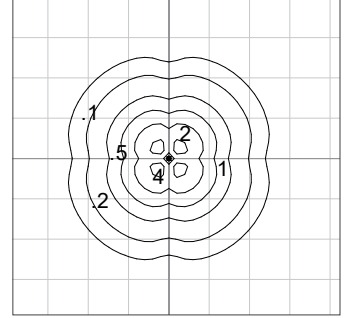
10 ft (3.1m) lens, single luminaire and 10 ft (3.1m) grid spacing depicted.

AP101-SO-30K-T5-FRS

100 Series Luminaire, Type V, Standard Output, Frosted Lens



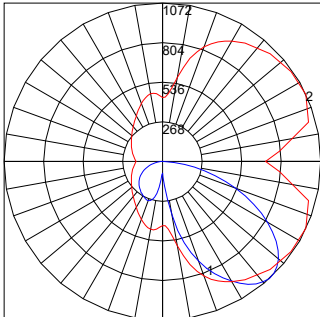
Maximum Candela = 602.56
 Located At Horizontal Angle = 45
 Vertical Angle = 27.5



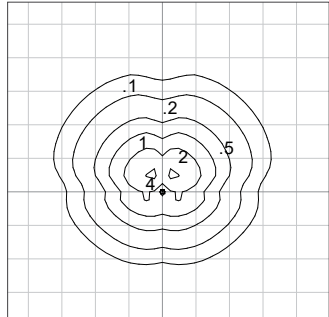
10 ft (3.1m) lens, single luminaire and 10 ft (3.1m) grid spacing depicted.

AP201-SO-30K-T3-FRS

200 Series Luminaire, Standard Output, 3000K, Type III, Frosted Lens



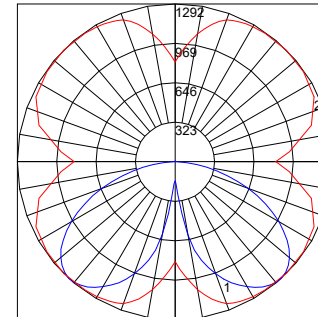
Maximum Candela = 1072.2
 Located At Horizontal Angle = 25
 Vertical Angle = 42.5



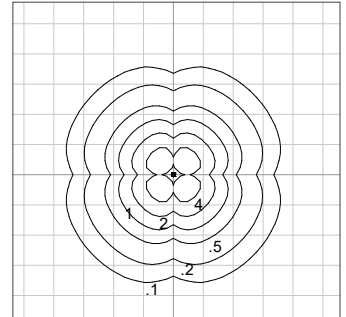
12 ft (3.7m) lens, single luminaire and 10 ft (3.1m) grid spacing depicted.

AP201-SO-30K-T5-FRS

200 Series Luminaire, Standard Output, 3000K, Type V, Frosted Lens



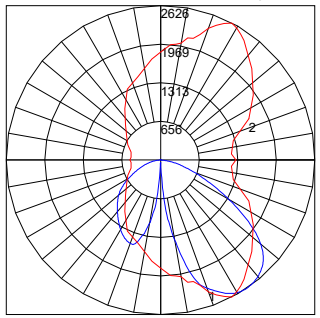
Maximum Candela = 1292.3
 Located At Horizontal Angle = 45
 Vertical Angle = 42.5



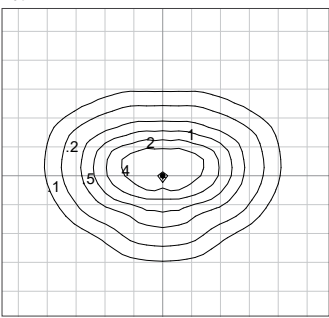
12 ft (3.7m) lens, single luminaire and 10 ft (3.1m) grid spacing depicted.

AP303-SO-35K-T2-FRS

300 Series Luminaire, Standard Output, 3500K, Type II, Frosted Lens



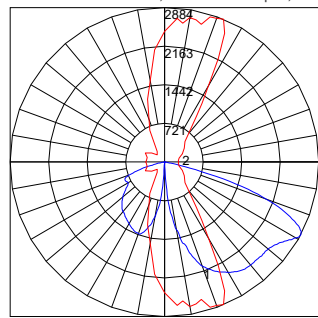
Maximum Candela = 2625.675
 Located At Horizontal Angle = 62.5
 Vertical Angle = 34.5



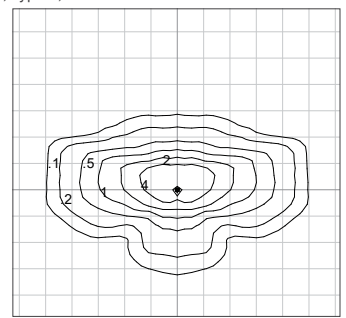
14 ft (4.3m) lens, single luminaire and 10 ft (3.1m) grid spacing depicted.

AP303-SO-35K-T2-CLR

300 Series Luminaire, Standard Output, 3500K, Type II, Clear Lens



Maximum Candela = 2883.608
 Located At Horizontal Angle = 67.5
 Vertical Angle = 62



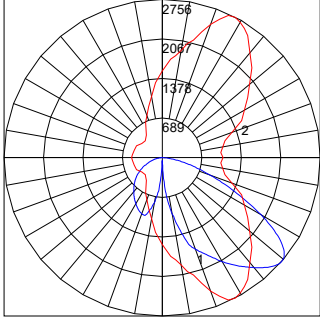
14 ft (4.3m) lens, single luminaire and 10 ft (3.1m) grid spacing depicted.

Ashbery Area Light

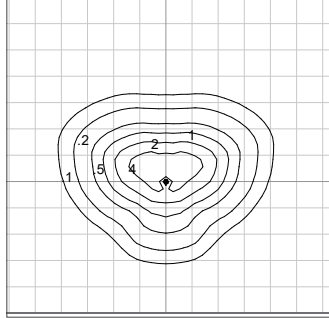
Specification Sheet | AP100/200/300

AP303-SO-35K-T3-FRS

300 Series Luminaire, Standard Output, 3500K, Type III, Frosted Lens



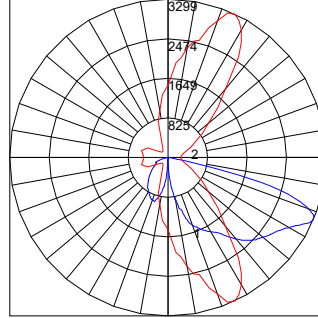
Maximum Candela = 2755.985
 Located At Horizontal Angle = 62.5
 Vertical Angle = 49



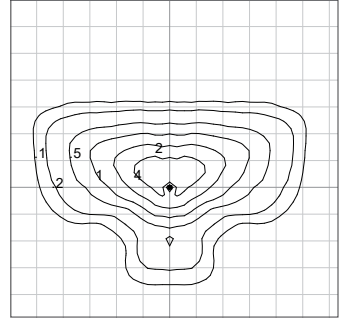
14 ft (4.3m) lens, single luminaire and 10 ft (3.1m) grid spacing depicted.

AP303-SO-35K-T3-CLR

300 Series Luminaire, Standard Output, 3500K, Type III, Clear Lens



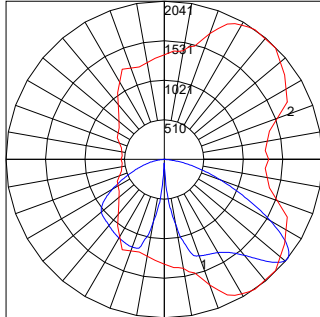
Maximum Candela = 3298.719
 Located At Horizontal Angle = 65
 Vertical Angle = 67



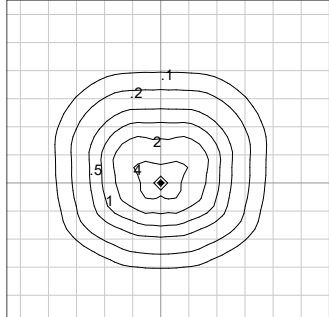
14 ft (4.3m) lens, single luminaire and 10 ft (3.1m) grid spacing depicted.

AP303-SO-35K-T4-FRS

300 Series Luminaire, Standard Output, 3500K, Type IV, Frosted Lens



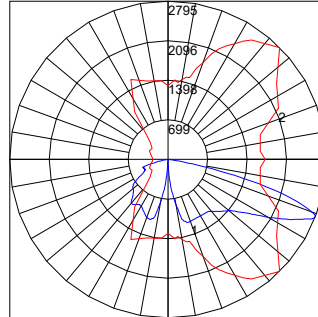
Maximum Candela = 2041.296
 Located At Horizontal Angle = 55
 Vertical Angle = 51



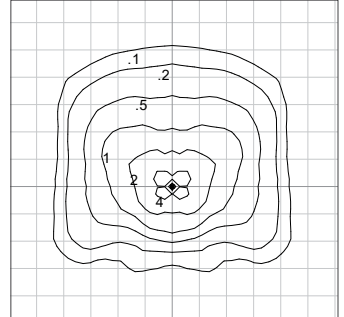
14 ft (4.3m) lens, single luminaire and 10 ft (3.1m) grid spacing depicted.

AP303-SO-35K-T4-CLR

300 Series Luminaire, Standard Output, 3500K, Type IV, Clear Lens



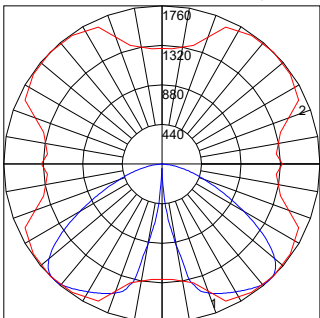
Maximum Candela = 2795
 Located At Horizontal Angle = 45
 Vertical Angle = 68.5



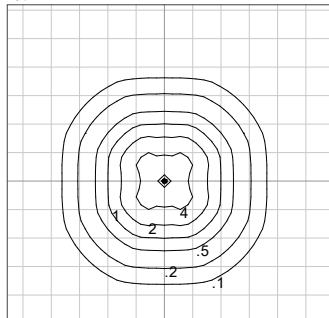
14 ft (4.3m) lens, single luminaire and 10 ft (3.1m) grid spacing depicted.

AP303-SO-35K-T5-FRS

300 Series Luminaire, Standard Output, 3500K, Type V, Frosted Lens



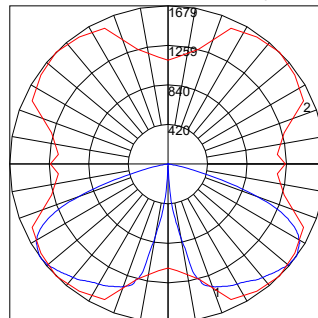
Maximum Candela = 1759.521
 Located At Horizontal Angle = 45
 Vertical Angle = 43



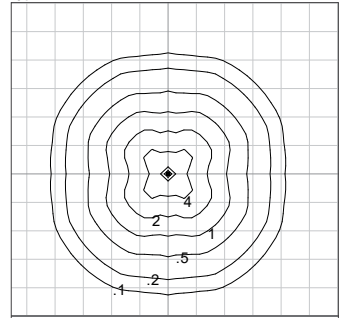
14 ft (4.3m) lens, single luminaire and 10 ft (3.1m) grid spacing depicted.

AP303-SO-35K-T5-CLR

300 Series Luminaire, Standard Output, 3500K, Type V, Clear Lens



Maximum Candela = 1679
 Located At Horizontal Angle = 45
 Vertical Angle = 53



14 ft (4.3m) lens, single luminaire and 10 ft (3.1m) grid spacing depicted.

Ashbery Area Light

landscapeforms®

Materials / Colors Sheet | AP100/200/300

Vivid Series - Powdercoated Metal* (Fine Texture)



CLY (Clay)



LMN (Lemon)



MNG (Mango)



STG (Loll Sunset Orange)



CHL (Chili)



APR (Loll Apple Red)



LFG (Loll Leaf Green)



MSS (Moss)

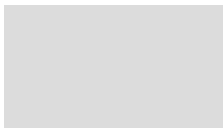


FOR (Forest)

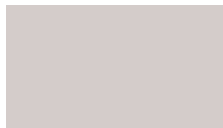


NVY (Loll Navy Blue)

Neutral Series - Powdercoated Metal*



SIL (Silver Metallic)



MER (Mercury Metallic)



STL (Steel Metallic)



BRZ (Bronze Metallic)



TNM (Titanium Metallic)



BLK (Gloss Black)



WHT (Gloss White)

Architectural Series - Powdercoated Metal* (Fine Texture)



FOG (Fog)



OBD (Obsidian)



MBK (Matte Black)



TER (Terra)



NMG (Nutmeg)



ONX (Onyx)



SAG (Sage)



BLA (Blue Ash)



DSK (Dusk)

Ashbery Area Light

landscapeforms®

Materials / Colors Sheet | AP100/200/300

Powdercoated Metal

Powdercoated Metal Pangard II® Polyester Powdercoat is a hard, yet flexible, finish that resists rusting, chipping, peeling and fading. In addition to colors shown, a wide selection of optional and custom colors may be specified for an upcharge.

* All colors and patterns shown are approximate and may vary from sample and final.

Visit landscapeforms.com for more information. Specifications are subject to change without notice. Landscape Forms supports the Landscape Architecture Foundation at the Second Century level. ©2023 Landscape Forms, Inc. Printed in U.S.A.

landscapeforms.com | specify@landscapeforms.com