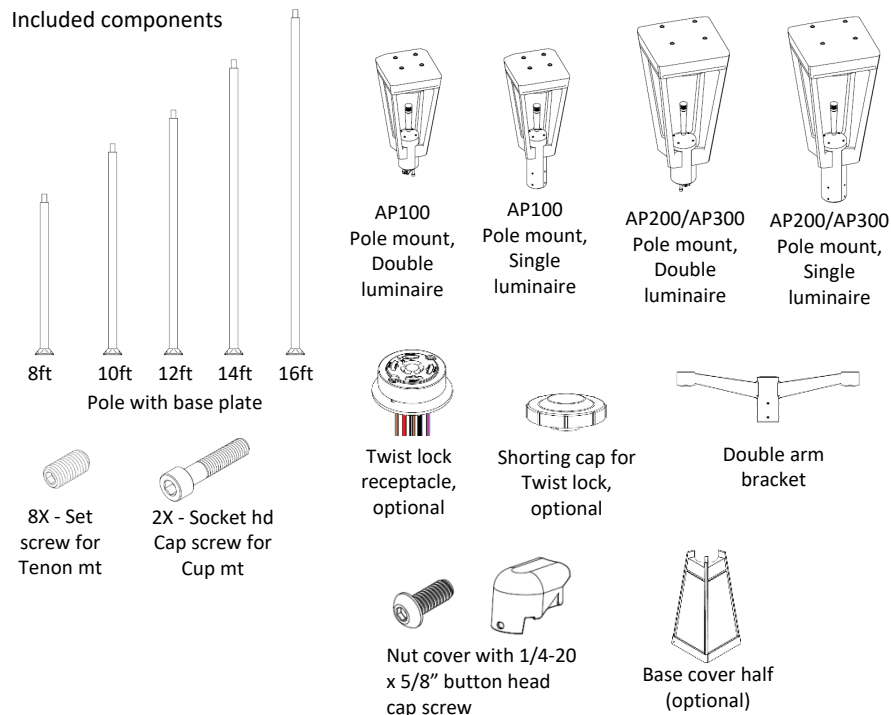


Included components



CAUTION! This unit is heavy. To avoid injury or damage to the finish, we recommend using a crane or lift for hoisting the unit onto the anchors.

WARNING! Pole mounted luminaires must be attached either before or *immediately* after pole installation. Failure to do so may cause vibration damage to the pole and will void the pole warranty.

WARNING! Installer must provide strain relief to line-in wires where they connect to light fixture wires. Failure to do so may cause electrical failure and will void warranty.

WARNING!: LED cartridge and driver are not rated for connection or disconnection while energized. Doing so may damage LEDs and will void the warranty. Disconnect incoming power before making or breaking any electrical connections.

INSTALLATION PROCEDURE FOR LIGHT POLE:

Note: The 4in diameter pole is for use with the single luminaire. The AP102 double luminaire uses a 4in diameter pole. The 5in diameter pole is for use with the double arm bracket and two AP202/AP302/AP304 luminaires.

1. Lift the light pole into position over the installed anchors (refer to Ashbery anchor kit installation guide) as shown in Fig. 2. Ensure that the base plate is resting on all four washers.
2. Install washer, lock washer and hex nut as shown in Fig. 2.
3. Plumb and level the pole and tighten all anchors.

For single luminaire mount:

Note: When ordered with Twist-Lock Receptacle, the receptacle is pre-wired into the top of the luminaire.

1. Connect line-in voltage wiring to the wires exiting the bottom of the luminaire hub. Refer to wiring diagrams.
2. For units with twist-lock receptacle, replace supplied shorting cap with photo-control (supplied by others).
3. Install single luminaire over tenon mount on pole. Using 5mm hex key, install and tighten all 8 set screws to secure luminaire to tenon, see Fig. 3, level as required. For asymmetric light distribution luminaires, one arm of the luminaire will be clearly marked as 'Front'.

For double luminaire mount:

Note: When ordered with Twist-Lock Receptacle, the receptacle is pre-wired into the top of the double arm bracket.

1. Connect line-in voltage wiring to the wires exiting the bottom of the double arm bracket.
2. Install double arm bracket on pole. Using 5mm hex key, install and tighten all 8 set screws to secure arm to pole, see Fig. 4. Level as required.
3. Connect wiring harnesses in the first luminaire to those in the cup mount of the bracket. Tuck excess wire into the bracket.
4. Install luminaire on cup mount, see Fig. 5. Front is labeled on asymmetric units.
5. Repeat steps 3 & 4 for the second luminaire.
6. For units with twist-lock receptacle, replace supplied shorting cap with photo-control (supplied by others).

Tools Required

- Safety glasses
- Wrenches, 1-1/8"
- Wiring tools and connectors
- Proper personnel, crane or lift for hoisting unit onto anchors
- Level
- Dimming control, if required
- Hex keys, 5mm, 3mm (for base cover option), 8mm (for double arm option), 5/32" for nut covers
- Twist lock photo eye control, if required
- Phillips screwdriver

Landscape Forms is not responsible for site preparation and footings. Refer to the installation guide for the Ashbery light anchor kit for installing the anchor bolts.

ASSEMBLE WITH CARE! Pangard II® Polyester Powdercoat is a strong, long-lasting finish. To protect this finish during assembly, place unwrapped powdercoated parts on packaging foam or other non-marring surface. Do not place or slide powdercoated parts on concrete or other hard or textured surface – this will damage the finish causing rust to occur. Use touch-up paint on any gouges in the finish caused by assembly tools.

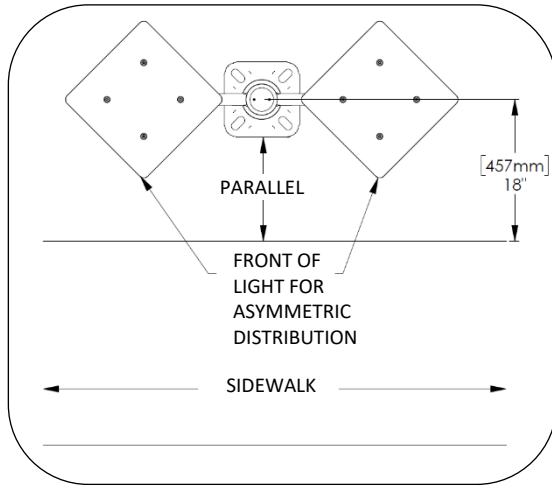


Fig. 1 – Pole orientation

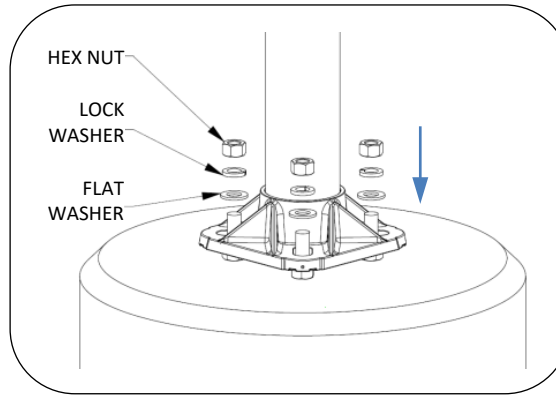


Fig. 2 – Install pole

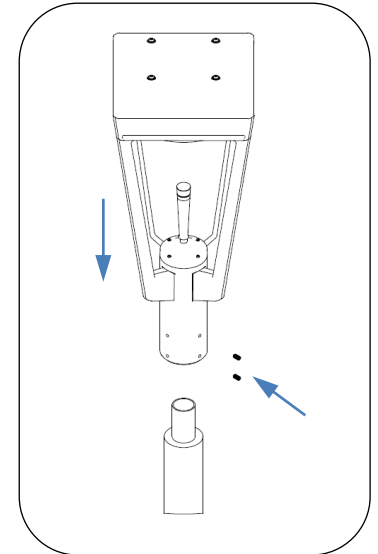


Fig. 3 – Install single luminaire on pole

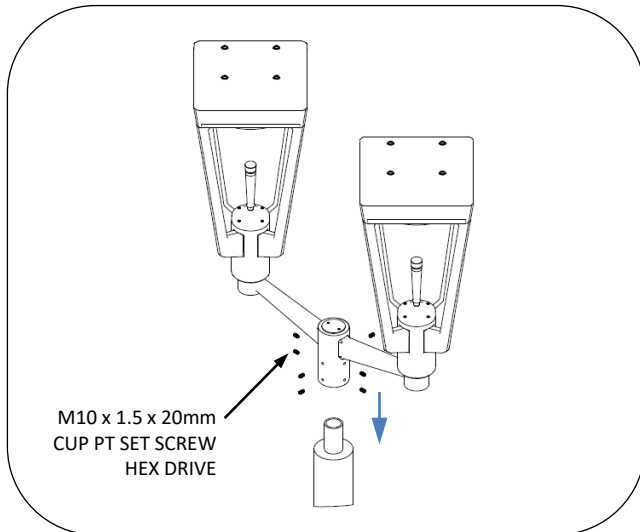


Fig. 4 – Install luminaires on double arm bracket

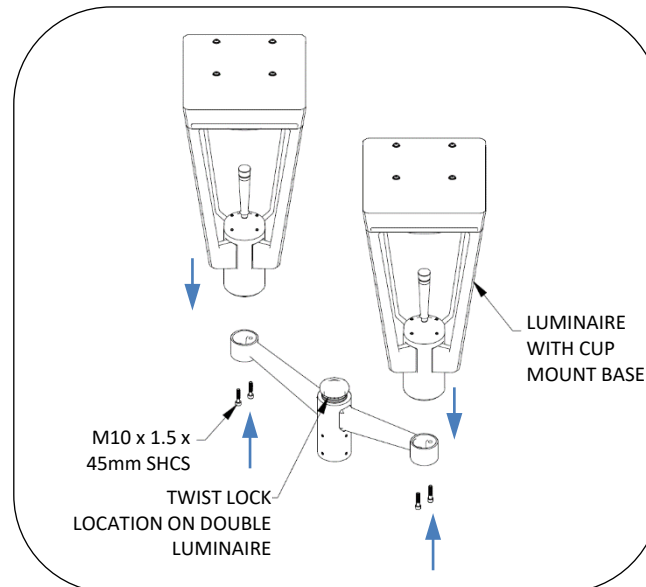


Fig. 5 – Install double arm bracket on pole

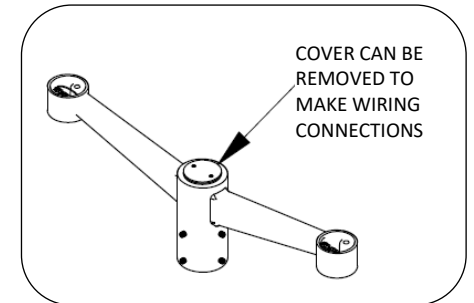


Fig. 6 – access cover for wiring

INSTALLATION PROCEDURE FOR NUT COVERS OR BASE COVER:

Note: The base covers for a 4in diameter pole and 5in diameter have a different size opening when the two halves are joined together. Base covers for a 4in dia pole will not fit on a 5in dia pole. Base covers for a 5in dia pole will have a large gap if installed incorrectly on a 4in dia pole.

For nut covers:

1. Install nut covers (shipped with pole) as shown in Fig. 7.

For base cover:

1. Place base covers in position. Using 3mm hex key, install M5x0.8x12mm button head cap screws (4 places) as shown in Fig. 8.

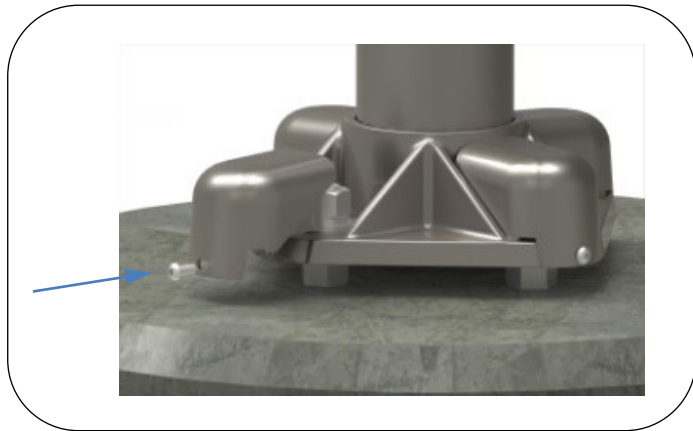


Fig. 7 – Install nut covers

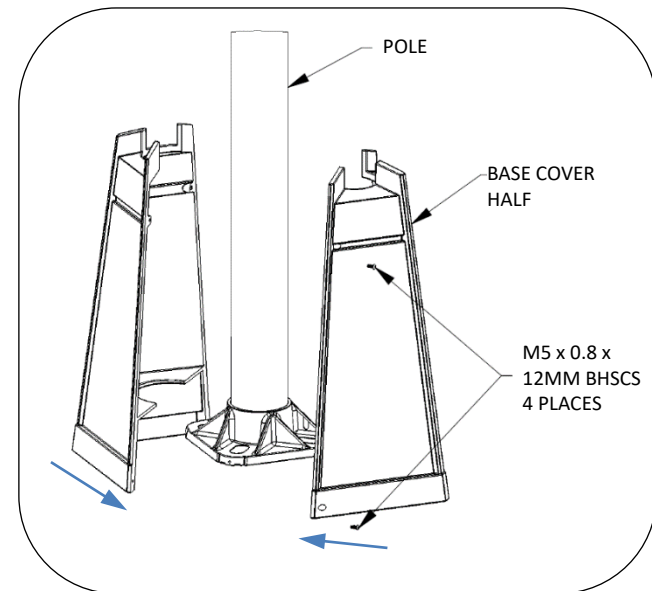


Fig. 8 – Install base cover

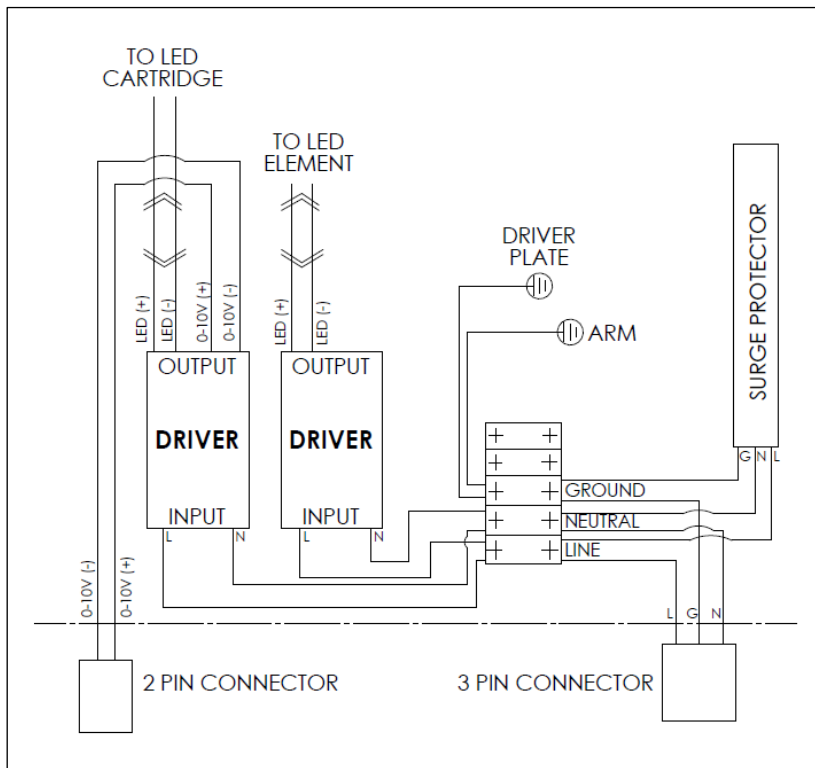
PROCEDURE FOR WIRING ASHBERY:

The Ashbery luminaire is assembled at the factory. The light cartridge is mounted into the head of the luminaire and will not need to be removed during installation. The LED cartridge is wired to the driver (located in the base of the luminaire) at the factory. Use of LED drivers other than the supplied unit is not recommended and will void the warranty.

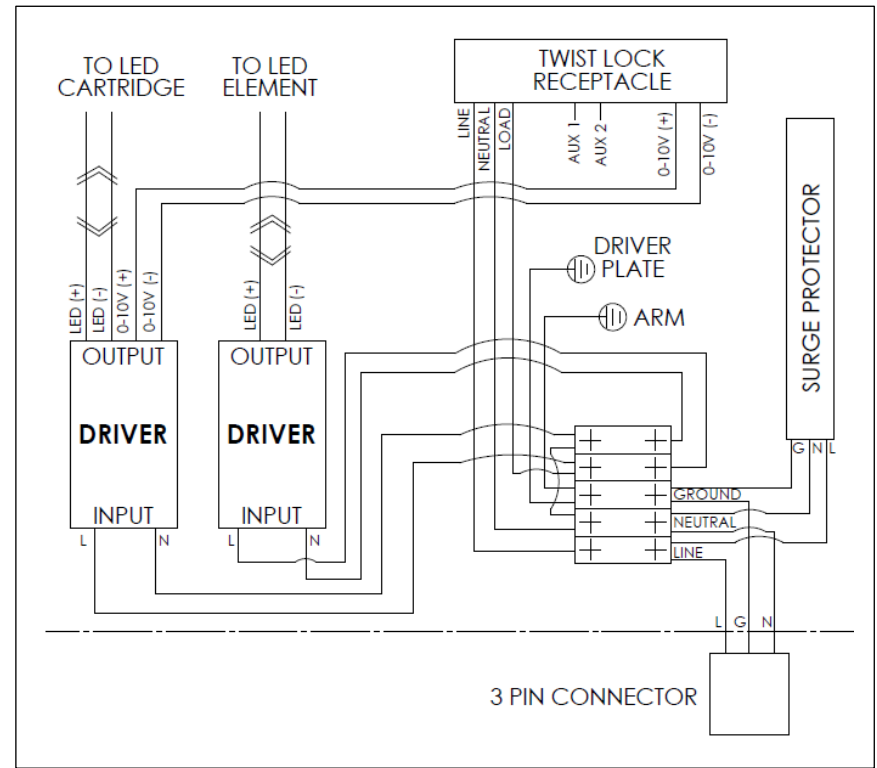
The wiring schematics are to be used to connect the unit to line voltage. It is the responsibility of the installer to make sure that all connections are made in accordance with the NEC and local building codes. Connection hardware not included.

Line-in wires should be connected to the terminal block as shown. Optional dimming control is not included.

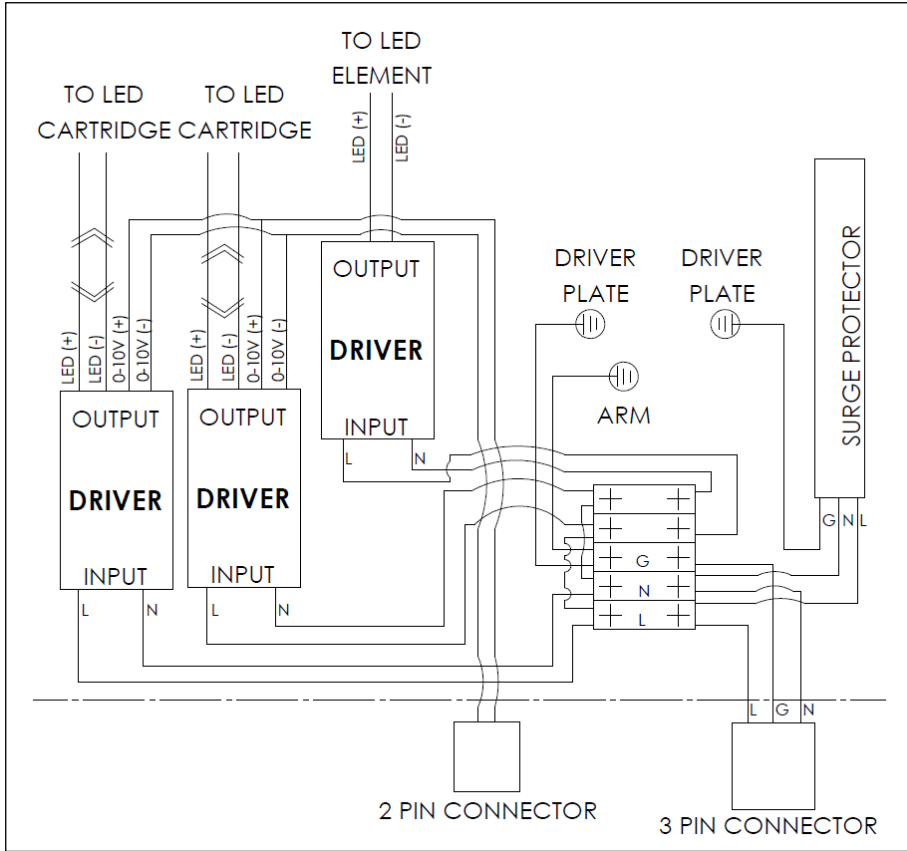
WARNING!: LED cartridge and driver are not rated for connection or disconnection while energized. Doing so may damage LEDs and will void the warranty. Disconnect incoming power before making or breaking any electrical connections.



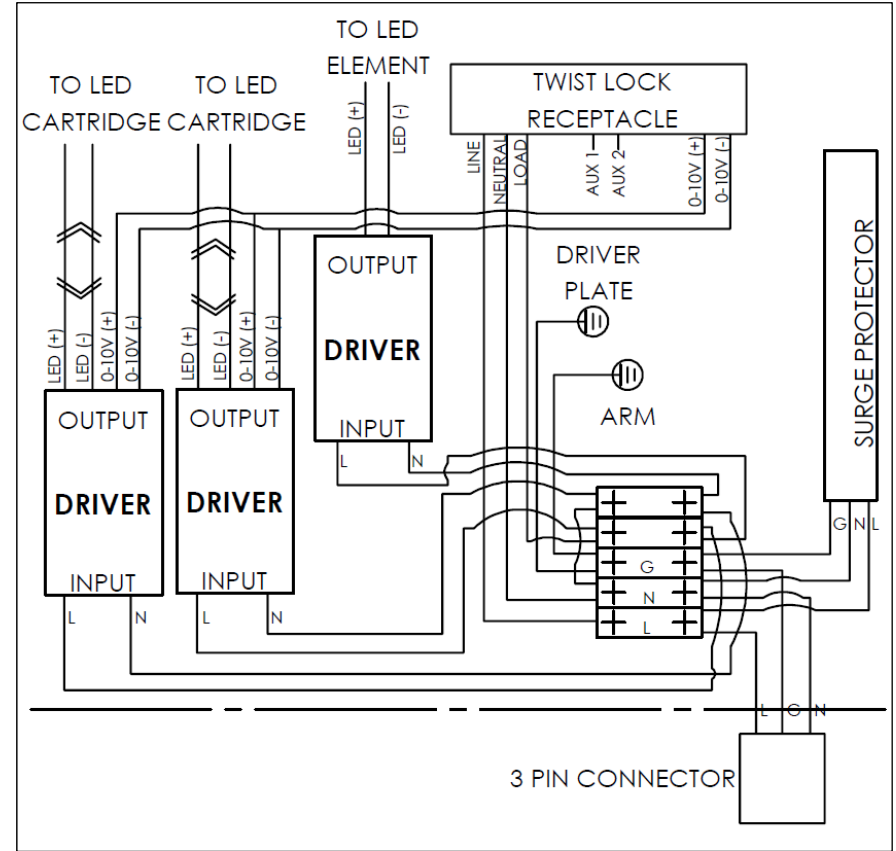
WIRING DIAGRAM: No twist lock: AP101/AP102/AP103, AP201/AP202 Type 3, AP301/302



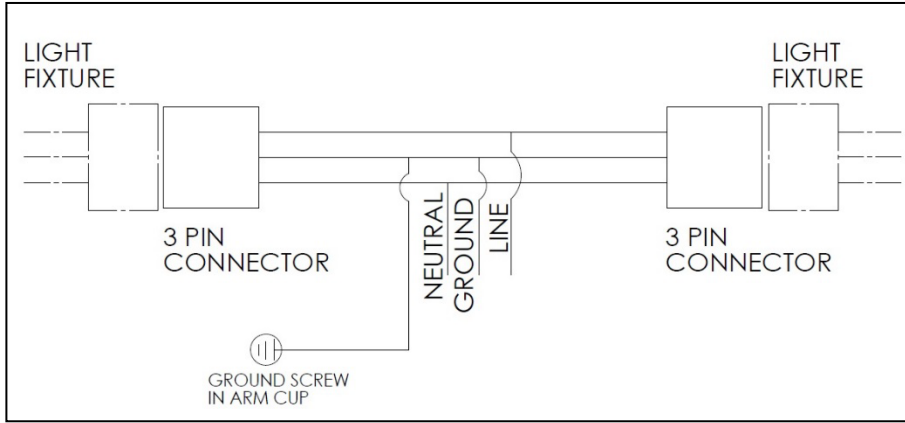
WIRING DIAGRAM: With twist lock: AP101/AP102/AP103, AP201/AP202 Type 3, AP301/302



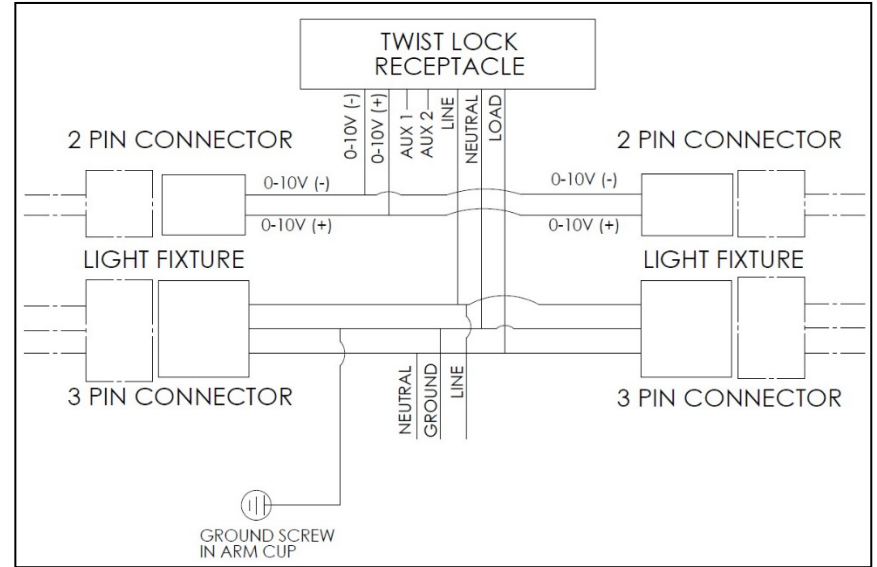
WIRING DIAGRAM: No twist lock: AP201/AP202 Type 5, AP303/304



WIRING DIAGRAM: With twist lock: AP201/AP202 Type 5, AP303/304

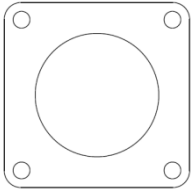


WIRING DIAGRAM: double arm bracket, no twist lock receptacle, wiring harness

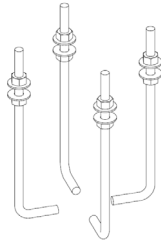


WIRING DIAGRAM: double arm bracket, WITH twist lock receptacle, wiring harness

Included components



1x – wooden drill template



Anchor kit

Included: hardware is galvanized

- (4) anchor bolts, 3/4"-10 x 17" x 3" hook ,
- (8) heavy hex nuts, 3/4" x 10, (8) flat washers, .81 ID" x 1.5" OD x 0.13" thick

Tools Required

- Safety glasses
- Wrenches, 1-1/4"
- Level

LIGHTING LAYOUT RECOMMENDATIONS:

Refer to the product data sheet available at www.landscapeforms.com for recommendations for light pole spacing.

Landscape Forms is not responsible for site preparation and footings. Refer to pole drawings for pole calculations required for footing design.

WARNING! Pole mounted luminaires must be attached either before or *immediately* after pole installation. Failure to do so may cause vibration damage to the pole and will void the pole warranty.

ASSEMBLE WITH CARE! Pangard II® Polyester Powdercoat is a strong, long-lasting finish. To protect this finish during assembly, place unwrapped powdercoated parts on packaging foam or other non-marring surface. Do not place or slide powdercoated parts on concrete or other hard or textured surface – this will damage the finish causing rust to occur. Use touch-up paint on any gouges in the finish caused by assembly tools.

INSTALLATION PROCEDURE FOR ANCHOR BOLTS:

1. Prepare footing as required by local codes.
2. Install anchor hooks, hex nuts, washers and wooden template as shown in Fig 1. Level template in all directions. **Note:** template thickness is less than base plate thickness. Dimensions given account for the difference.
3. After footing has properly cured, remove wooden template. Do not remove lower hex nuts or washers.

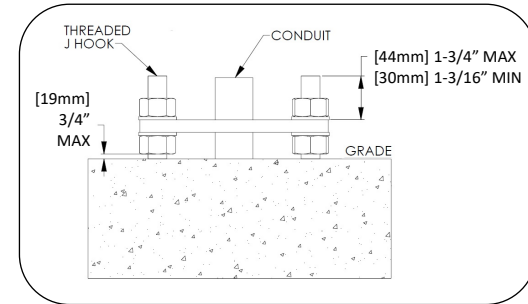
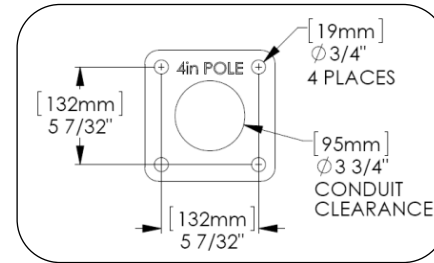
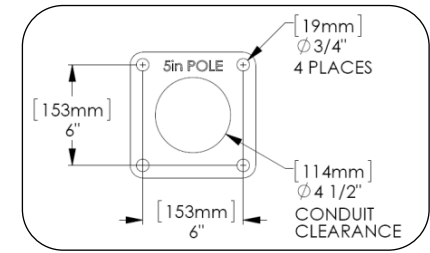


Fig. 1 – Anchor install detail



4" diameter pole



5" diameter pole