

Arne S

landscapeforms®

Product Data Sheet



The smaller Arne S creates intimate light experiences that bring the ambiance of indoor lighting to the outdoors. Inspired by the work of renowned Danish architect and designer Arne Jacobsen, Arne S offers multiple functions and styles for a range of applications. This versatile luminaire can be surface mounted, suspended from a cable for catenary applications, or fixed to a pole or column. Arne S provides full 360° rotation and tilt capabilities to efficiently light all aspects of the environment, from walkways and architectural structures, to monuments and landscapes.

General Description

- Pole, catenary, or surface mounting options
- Pole and surface mount brackets provide tilt and roll capabilities
- Offered in 4 standard pole heights (3.4m, 4.2m, 5.0m, 5.8m)
- Poles for catenary applications can be custom engineered for each project (cable not included)
- Available in multiple power outputs and beam options
- Zero up-light, International Dark-Sky approved
- UL Listed, suitable for wet locations

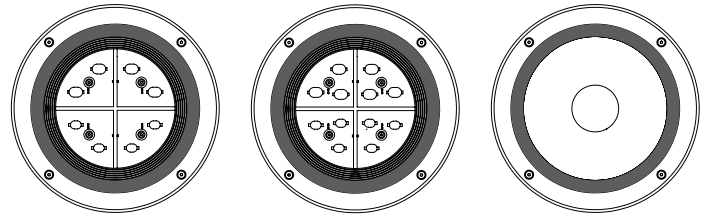
Electrical

120V-277V 50/60 Hz, Class 2 integrated dimmable driver. 1-10V dimming interface is standard, DALI compatible dimming interface available upon request. Arne S ships prewired and fully assembled. Reference the installation guide for the wiring diagram and other electrical support information.

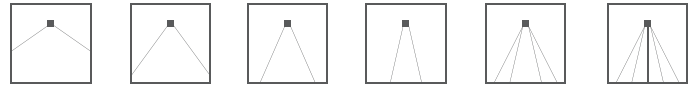
Arne S

Housing: Die-cast aluminum
Lens: Tempered glass (clear or opal / diffused)
Light Source: PCB LED - Cree XPG2
CoB LED - Birdgleux Gen 7
Color Temperature: 3000K, 4000K
Power Supply: 120V-277V
Dimming: 1-10V (DALI available upon request)
Protection Class: IP66
TM21 L70 (10k): > 60,000 hrs
Weight: 8 lbs (luminaire only)
EPA: .36 ft²

LED Configurations



Distributions



Wideflood

Flood

Medium

Spot

Oval

TII+II



TII



TIII



TIV

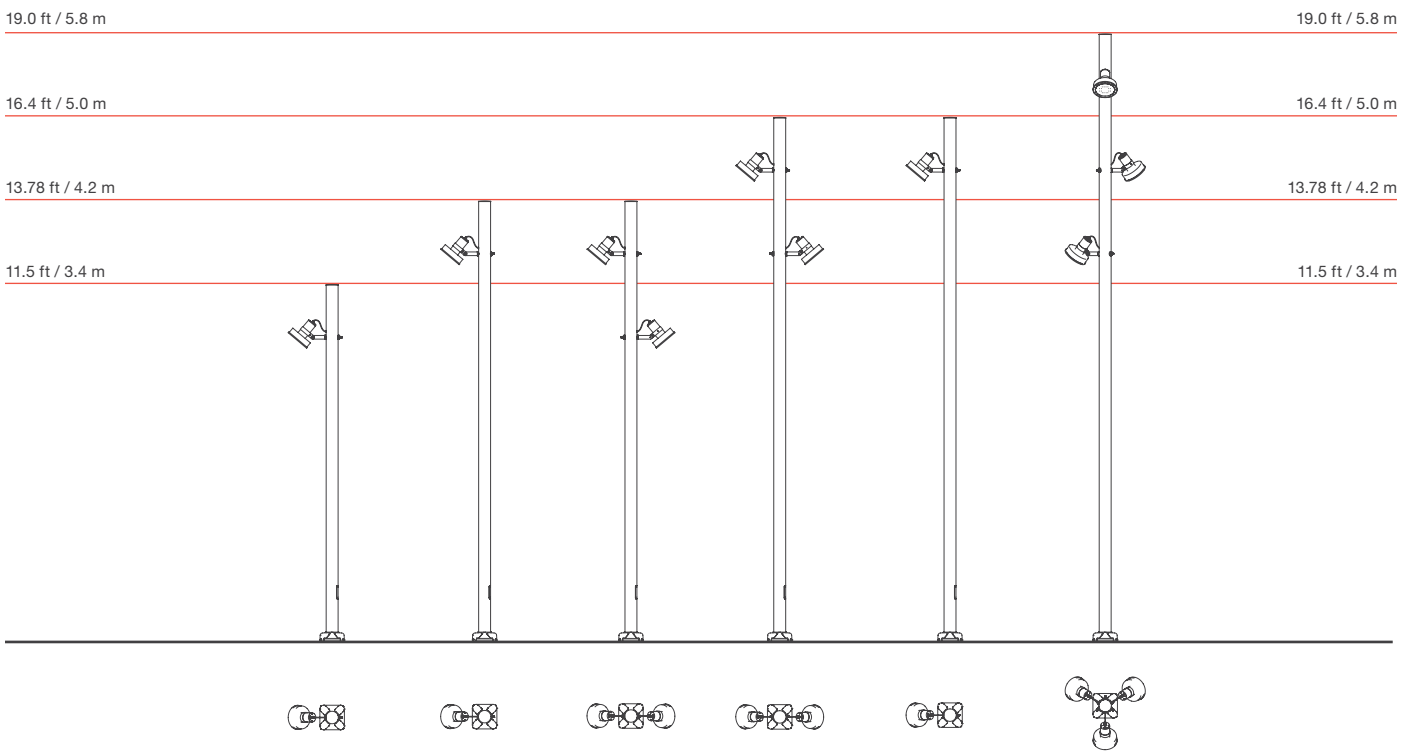


Lightblade

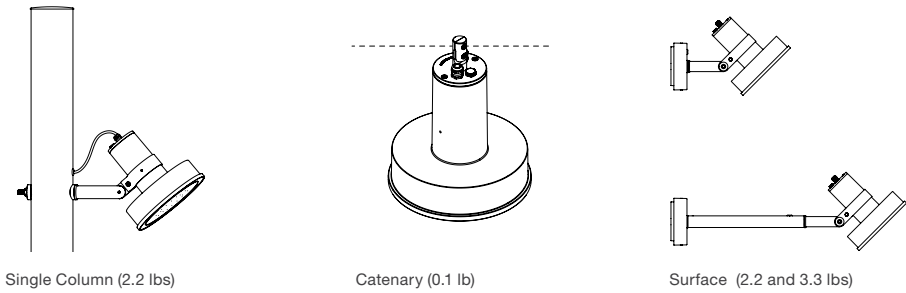
Arne S



Product Data Sheet



Mounting Offering and Bracket Weight



Arne S

landscapeforms®

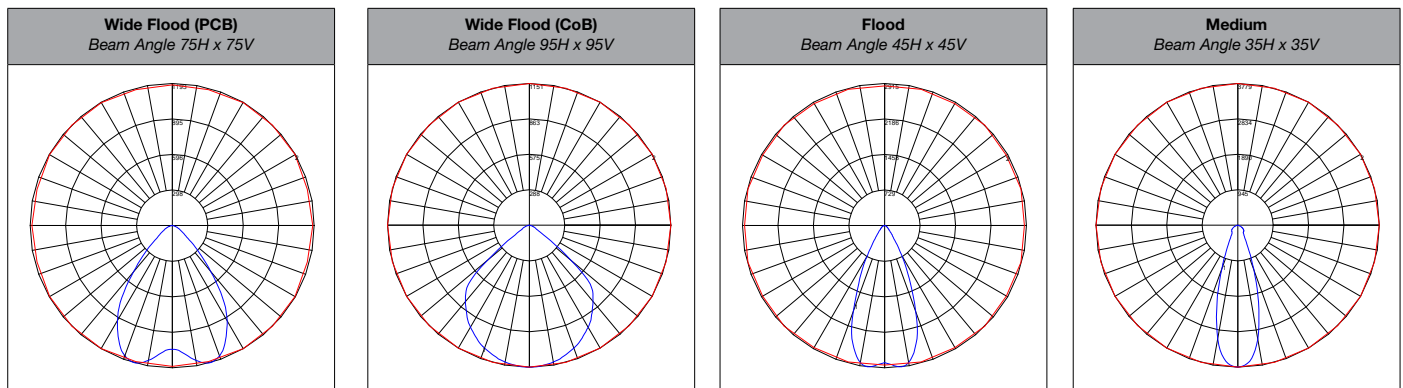
Product Data Sheet



Performance Data for Flood Distributions

Model	Lamp Power	System Power	LED Quantity	CCT	Drive Current	Wide Flood (WF) NEMA Type 6H x 6V		Flood (F) NEMA Type 5H x 5V		Medium (M) NEMA Type 4H x 4V	
						Lumens*	Efficacy*	Lumens*	Efficacy*	Lumens*	Efficacy*
ARPS8A1xx	8	11	8	3000K 80 CRI	350	896	81	967	87	945	85
ARPS8B1xx	11	15			500	1215	81	1311	87	1281	85
ARPS8A2xx	8	11		4000K 70 CRI	350	1057	95	1141	103	1114	100
ARPS8B2xx	11	15			500	1433	95	1546	103	1510	100
ARPS12A1xx	12	15	12	3000K 80 CRI	350	1337	87	1443	94	1409	92
ARPS12B1xx	18	21			500	1827	87	1972	94	1926	92
ARPS12A2xx	12	15		4000K 70 CRI	350	1577	103	1701	111	1662	108
ARPS12B2xx	18	21			500	2155	102	2325	111	2272	108
ARPSCA1	12	14	1	3000K 80 CRI	350	1634	117	--	--	--	--
ARPSCB1	17	20			500	2247	112	--	--	--	--
ARPSCA2	12	14		4000K 70 CRI	350	1927	138	--	--	--	--
ARPSCB2	17	20			500	2634	132	--	--	--	--

*Apply 0.925 multiplier for opal / diffused lens option.



Arne S

landscapeforms®

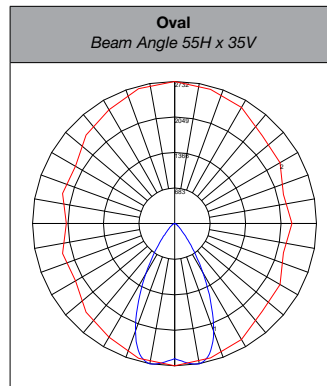
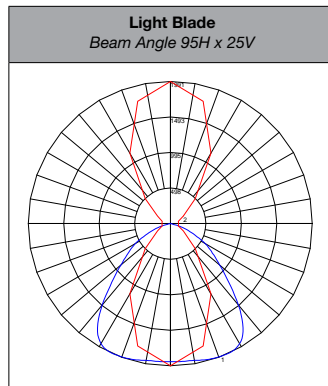
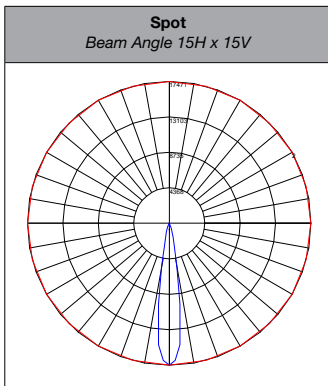
Product Data Sheet



Performance Data for Flood Distributions (cont.)

Model	Lamp Power	System Power	LED Quantity	CCT	Drive Current	Spot (S) NEMA Type 3H x 3V		Light Blade (LB) NEMA Type 7H x 4V		Oval (OV) NEMA Type 5H x 5V	
						Lumens*	Efficacy*	Lumens*	Efficacy*	Lumens*	Efficacy*
ARPS8A1xx	8	11	8	3000K 80 CRI	350	927	84	864	78	945	85
ARPS8B1xx	11	15			500	1257	84	1171	78	1281	85
ARPS8A2xx	8	11		4000K 70 CRI	350	1094	99	1019	92	1114	100
ARPS8B2xx	11	15			500	1482	99	1381	92	1511	100
ARPS12A1xx	12	15	12	3000K 80 CRI	350	1383	90	1288	84	1409	92
ARPS12B1xx	18	21			500	1891	90	1761	84	1926	92
ARPS12A2xx	12	15		4000K 70 CRI	350	1631	106	1519	99	1662	108
ARPS12B2xx	18	21			500	2230	106	2077	99	2272	108
ARPSCA1	12	14	1	3000K 80 CRI	350	--	--	--	--	--	--
ARPSCB1	17	20			500	--	--	--	--	--	--
ARPSCA2	12	14		4000K 70 CRI	350	--	--	--	--	--	--
ARPSCB2	17	20			500	--	--	--	--	--	--

*Apply 0.925 multiplier for opal / diffused lens option.



Arne S

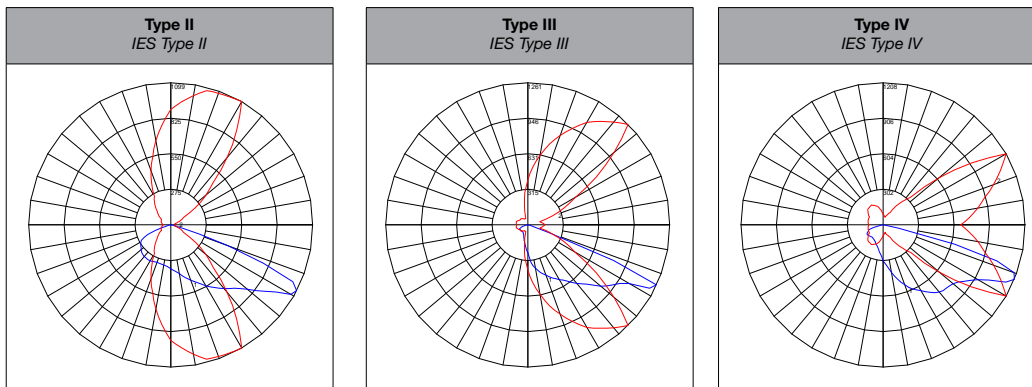
Product Data Sheet



Performance Data for Asymmetrical Distributions

Model	Lamp Power	System Power	LED Quantity	CCT	Drive Current	Type II (TII) IES Type II			Type III (TIII) IES Type III			Type IV (TIV) IES Type IV		
						Lumens*	Efficacy*	BUG Rating	Lumens*	Efficacy*	BUG Rating	Lumens*	Efficacy*	BUG Rating
ARPS8A1xx	8	11	8	3000K 80 CRI	350	857	77	B0-U0-G0	806	73	B0-U0-G0	823	74	B0-U0-G0
ARPS8B1xx	11	15			500	1162	77	B0-U0-G0	1092	73	B0-U0-G0	1116	74	B0-U0-G0
ARPS8A2xx	8	11		4000K 70 CRI	350	1011	91	B0-U0-G0	950	86	B0-U0-G0	971	88	B0-U0-G0
ARPS8B2xx	11	15			500	1370	91	B1-U0-G0	1288	86	B0-U0-G0	1316	88	B0-U0-G0
ARPS12A1xx	12	15	12	3000K 80 CRI	350	1279	83	B1-U0-G0	1202	78	B0-U0-G0	1228	80	B0-U0-G0
ARPS12B1xx	18	21			500	1748	83	B1-U0-G1	1643	78	B0-U0-G0	1678	80	B0-U0-G0
ARPS12A2xx	12	15		4000K 70 CRI	350	1508	98	B1-U0-G1	1418	92	B0-U0-G0	1448	94	B1-U0-G1
ARPS12B2xx	18	21			500	2061	98	B1-U0-G1	1937	92	B0-U0-G0	1979	94	B1-U0-G1

*Apply 0.925 multiplier for opal / diffused lens option.



Arne S



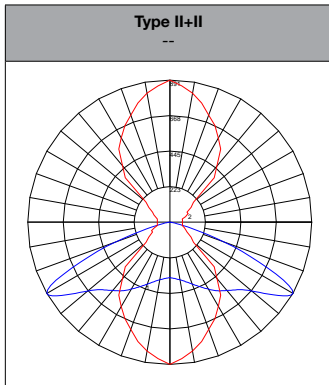
Product Data Sheet



Performance Data for Asymmetrical Distributions (cont.)

						Type II + II --	
Model	Lamp Power	System Power	LED Quantity	CCT	Drive Current	Lumens*	Efficacy*
ARPS8A1xx	8	11	8	3000K 80 CRI	350	857	77
ARPS8B1xx	11	15			500	1162	77
ARPS8A2xx	8	11		4000K 70 CRI	350	1011	91
ARPS8B2xx	11	15			500	1370	91
ARPS12A1xx	12	15	12	3000K 80 CRI	350	1279	83
ARPS12B1xx	18	21			500	1748	83
ARPS12A2xx	12	15		4000K 70 CRI	350	1508	98
ARPS12B2xx	18	21			500	2061	98

*Apply 0.925 multiplier for opal / diffused lens option.



Arne S

landscapeforms®

Product Data Sheet



Finish

Arne S is finished in polyester powdercoat finish by Urbidermis. The Pangard II® polyester powdercoat finish on poles is offered exclusively by Landscape Forms. Reference the materials sheet for additional information.

Product Modifications

Don't see what you are looking for? Our goal is to partner with you as the designer to manufacture solutions needed for the space you are creating. We offer the option to modify our standard product to meet certain design specifications or needs. Contact your local Landscape Forms representative to learn more about these offerings.

Product Specifications

Ready to place an order or receive a quote for your project? Reference the Arne specification sheet available here.

Warranty

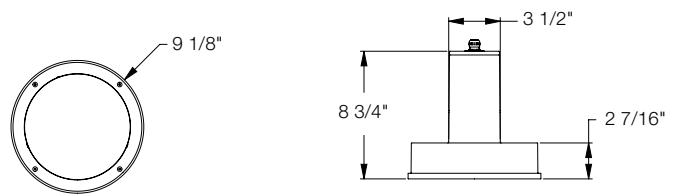
Urbidermis guarantees the composition and performance features of all material that shape the product for a period of three years. Electrical components including LED boards and electronic drivers are guaranteed for a period of five years.

Other

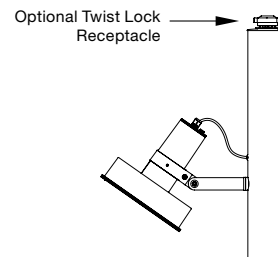
CE, RoHS Compliant, UL Listed



Designed by Urbidermis



Twist Lock Receptacle



Visit landscapeforms.com for more information. Specifications are subject to change without notice. Landscape Forms supports the Landscape Architecture Foundation at the Second Century level. ©2021 Landscape Forms, Inc. Printed in U.S.A.

landscapeforms.com | specify@landscapeforms.com